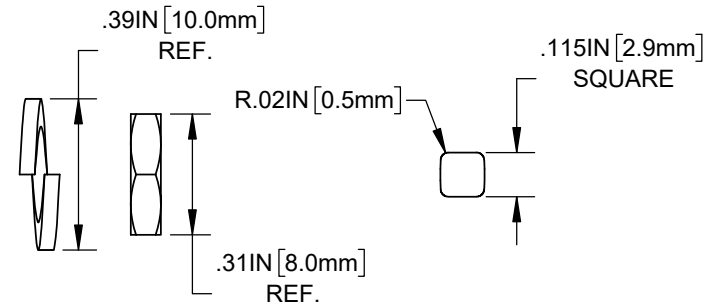
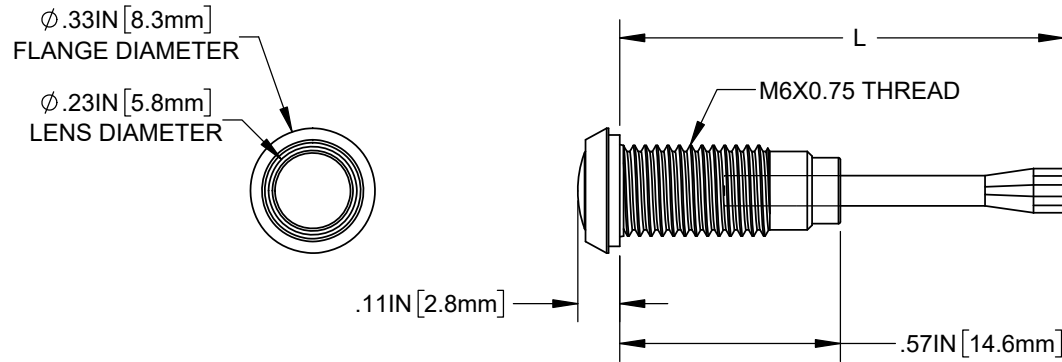


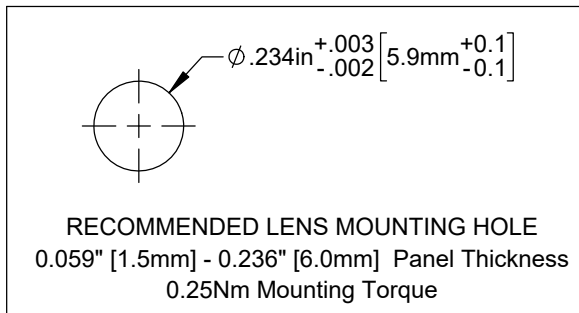
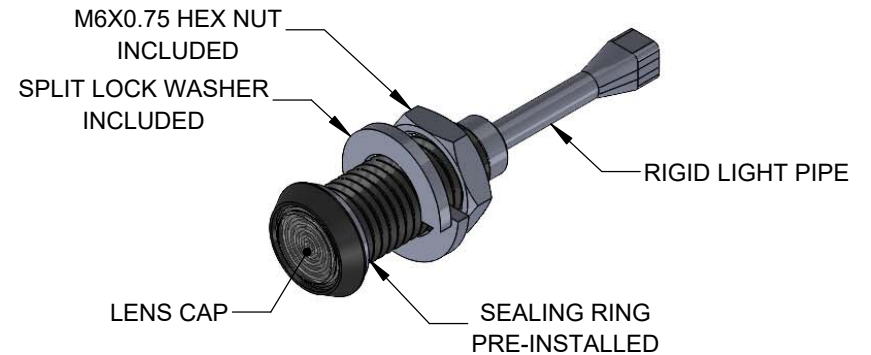
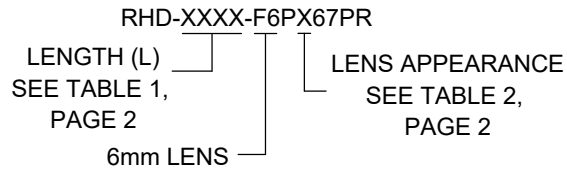
NOTES:

1. SEALED TO IP67 RATING
2. ROHS COMPLIANT
3. LIGHT PIPE PRE-ASSEMBLED WITH INSERT AND HOUSING. MOUNTING HARDWARE SHIPPED NON-ASSEMBLED

REVISIONS			
REV.	DESCRIPTION	DATE	APPROVED
A	ENGINEERING RELEASE	1/18/2021	A.V.
B	Updated Component Tables	2/16/2021	A.V.
C	Updated Component Tables	2/19/2021	A.V.
D	Updated Descriptions	3/17/2021	A.V.



PART NUMBER CONFIGURATION



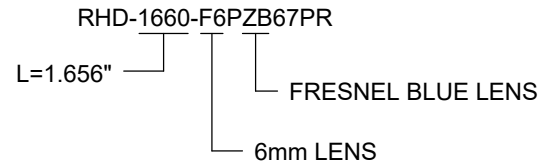
CUSTOMER USE DRAWING

STANDARD TOLERANCE (UNLESS OTHERWISE SPECIFIED)		 4 THOMAS, IRVINE, CA. 92618 TEL: (949) 951-8808 FAX: (949) 951-3974	
DECIMALS ANGULAR .X ± .1 X° ± 1° .XX ± .02 .XXX ± .010			
DESIGNED: K. BARON DATE: 01/18/2021		TITLE: IP67 Rigid Heavy Duty Light Pipe DRAWING NO: RHD-XXXX-F6PX67PR REVISION: D	
REVISED: K. BARON DATE: 03/17/2021		SHEET SIZE: A CAGE CODE: 32559	
CHECKED: A. VALDEZ DATE: 03/17/2021		SCALE: 2:1 SHEET # 1 OF 2	
CAD GENERATED DOCUMENT, DO NOT MEASURE DRAWING			

TABLE 1 - LENGTH	
ORDER CODE	LENGTH (L)
0910	0.906 [23.0mm]
1160	1.156 [29.4mm]
1410	1.406 [35.7mm]
1660	1.656 [42.1mm]
1910	1.906 [48.4mm]
2160	2.156 [54.8mm]

TABLE 2 - LENS APPEARANCE	
ORDER CODE	LENS APPEARANCE
Z	FRESNEL CLEAR
ZB	FRESNEL BLUE
ZG	FRESNEL GREEN
ZR	FRESNEL RED
ZY	FRESNEL YELLOW
(BLANK)	CLEAR
D	DIFFUSED
S	SMOKED

SAMPLE PART NUMBER



CUSTOMER USE DRAWING

		BIVAR [®]	
CAGE CODE:	32559	DRAWING NO: RHD-XXXX-F6PX67PR	REVISION: D
SHEET SIZE:	A	SCALE: 2:1	SHEET # 2 OF 2
<small>CAD GENERATED DOCUMENT, DO NOT MEASURE DRAWING</small>			