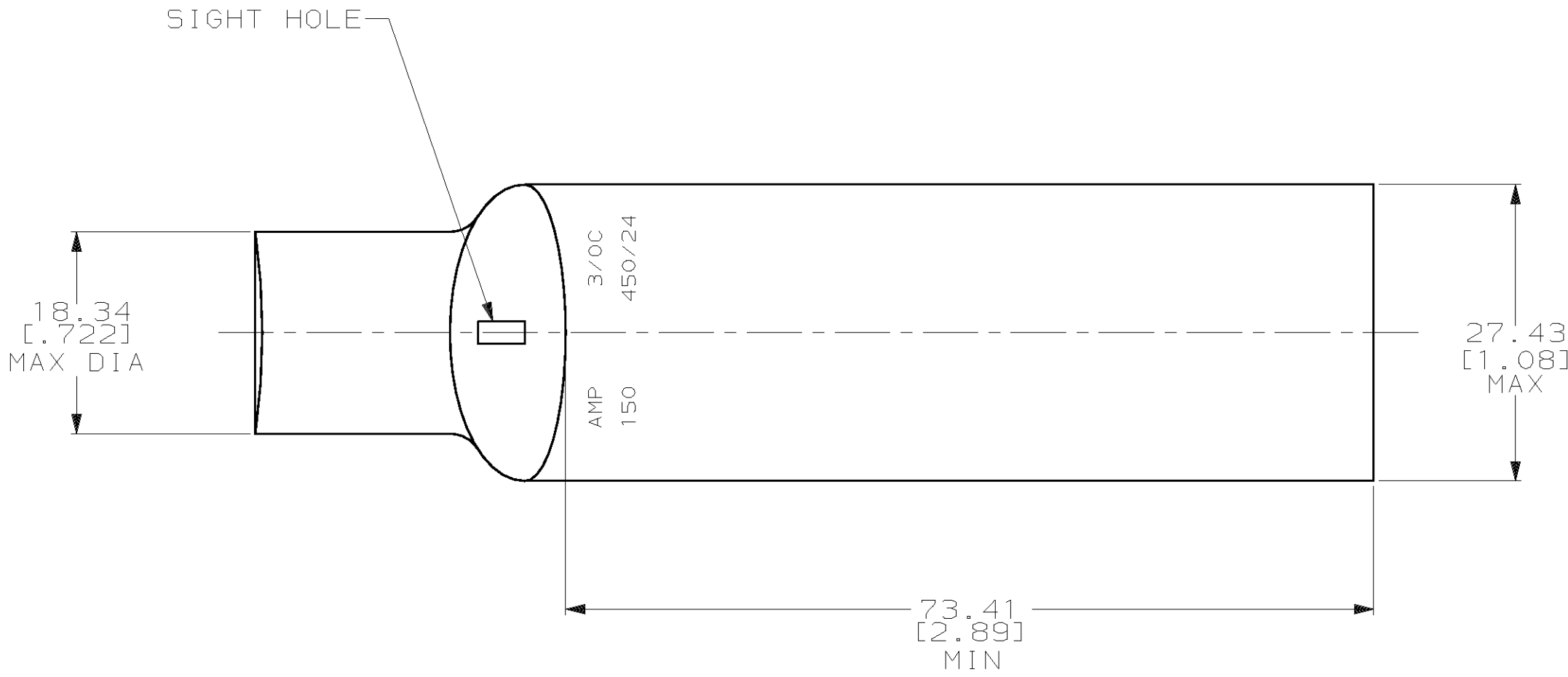
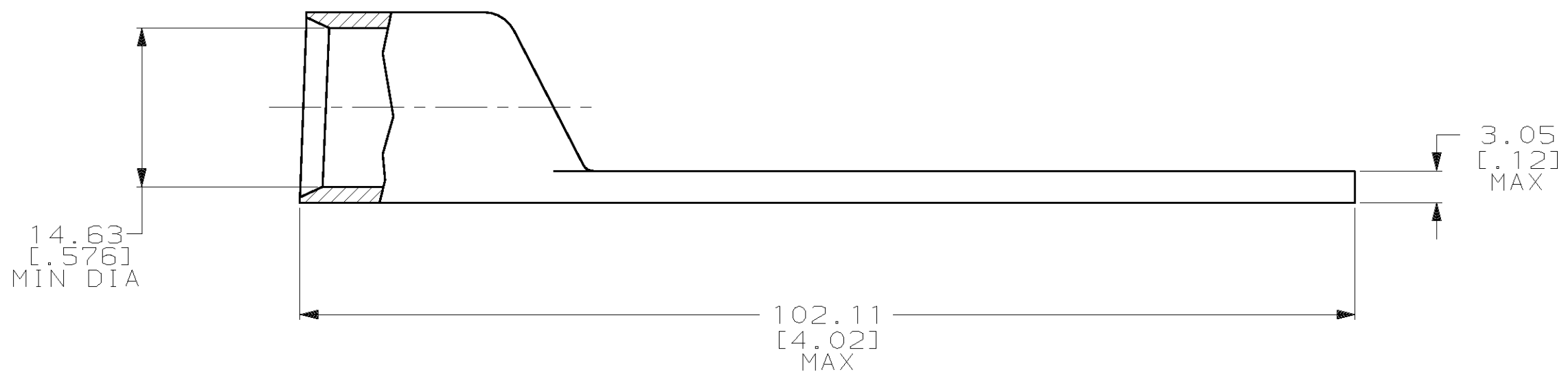


THIS DRAWING IS UNPUBLISHED. RELEASED FOR PUBLICATION, 19 .
 © COPYRIGHT 19 BY AMP INCORPORATED. ALL INTERNATIONAL RIGHTS RESERVED.

LOC		DIST		P		F		ZONE		LTR		REVISIONS		DATE	APPD
G		86								N		REV PER 0G3A-0561-01		070CT02	JR/MS



1 CIRCULAR MIL AREA RANGE: 150,500-190,000 CM
 2 TIN PL 0.00381 [.000150] THK PER MIL-T-10727



325508

325508
PART NO

DO NOT SCALE PRINT. UNLESS SPECIFIED DIMENSIONS IN mm [INCHES] TOLERANCES ON : 2 PLC DEC ± 0.51 [.020] 3 PLC DEC ± - ANGLES ± -		DR 02/28/90 DK SCHRUM		AMP INCORPORATED Harrisburg, Pa. 17105	
MATERIAL ANNEALED COPPER ASTM B-75		CHK 18JAN95 MS FEHER			
FINISH △		APPD 18JAN95 WJ VOCKROTH		NAME TERMINAL, AMPOWER, WIRE SIZE: 3/0 AWG	
APPLICATION SPEC -		APPD 18JAN95 TL SHUTTER		DRAWING NO 325508	
WEIGHT .141 LB		PRODUCT SPEC -		SIZE C	
		APPLICATION SPEC -		CAGE CODE 00779	
				SCALE 2:1	
				SHEET 1 OF 1	

