

MI DRG. NO. L5994-#H REV.

L5994 DASH H

TUNING ROTOR

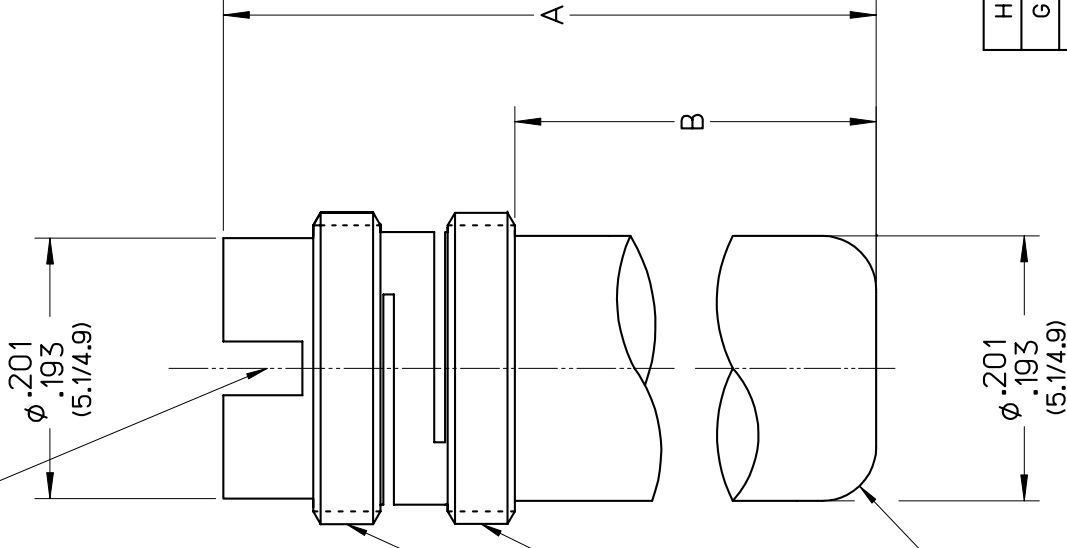
SPECIFICATIONS		FILE: AIROUT
THREADS	PRE-TORQUED & LUBRICATED	
MOUNTING:	JMC TAP P/N 7062 TAP DRILL .219(5.56)	
FINISH	CHROMATE CONVERSION, PROPRIETARY PROCESS	

APPLICATIONS:
FOR HIGH Q VARIABLE REACTANCE TUNING OF
MICROWAVE CAVITIES, FILTERS, AND
OTHER RESONANT STRUCTURES.

SPECIFIED DIMENSIONAL LIMITS:
DIMENSIONS ARE IN INCHES.
(DIMENSIONS) ARE IN mm AND ARE
REFERENCE ONLY.

PART NO.	A	B
L5994-5	.376/.364 (9.55/9.24)	.161/.153 (4.09/3.89)
L5994-6	.494/.482 (12.5/12.2)	.281/.270 (7.14/6.86)
L5994-7	.652/.640 (16.6/16.3)	.439/.427 (11.2/10.8)
L5994-8	1.396/1.384 (35.5/35.2)	1.187/1.176 (30.2/29.9)
L5994-9	.557/.545 (14.2/13.8)	.342/.334 (8.7/8.5)
L5994-10	.635/.623 (16.1/15.8)	.420/.412 (10.7/10.5)
L5994-11	.793/.781 (20.1/19.8)	.578/.570 (14.7/14.5)
L5994-12	.872/.860 (22.1/21.8)	.657/.649 (16.7/16.5)
L5994-13	.951/.939 (24.2/23.9)	.736/.728 (18.7/18.5)
L5994-15	1.108/1.096 (28.1/27.8)	.893/.885 (22.7/22.5)

SLOT
.043 W X .063 DP
.035
(1.1/0.89) (1.6/1.4)



15/64(.234)-64
UNS-2A

R.043
.035
(1.1/0.89)

H	7/16/02	RJV	RJV	JHT	020-061
G	08/28/00	MLD	-	-	000-266
LEVEL	DATE	DRN.	CHK.	APP.	ECN

REVISIONS

DRN.	CHK.	RJV	APP.	SCALE
MLD	RJV	WEH	7" = 1"	
DATE	DATE	DATE		.XX ± .015
08/28/00	08/31/00	09/07/00		.XXX ± .005



JOHANSON MANUFACTURING CORPORATION
ROCKAWAY VALLEY ROAD, BOONTON, N.J. 07005 (973)334-2676 FAX (973)334-2954
ELECTRONIC ACCURACY THROUGH MECHANICAL PRECISION

PROPRIETARY INFORMATION CONTAINED NOT TO BE USED WITHOUT JOHANSON MANUFACTURING CORPORATION APPROVAL