

C4532CH1H683K160KA

TDK Item Description : C4532CH1H683KT****

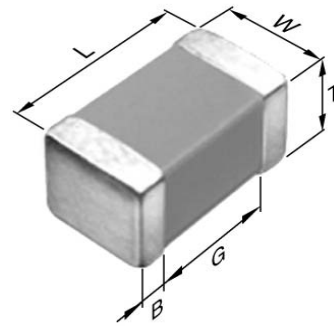


Application & Main Feature

Commercial Grade (General (Up to 50V))

Series

C4532 [EIA CC1812]



Dimensions

L 4.50mm +/-0.4mm
W 3.20mm +/-0.4mm
T 1.60mm +/-0.2mm
B 0.20mm Min.
G

Temperature Characteristic

CH (-25 to 85 degC 0+/-60ppm/degC)

Rated Voltage

1H (50Vdc)

Capacitance

68nF

Capacitance Tolerance

K (+/-10%)

Q Factor

1000 Min.

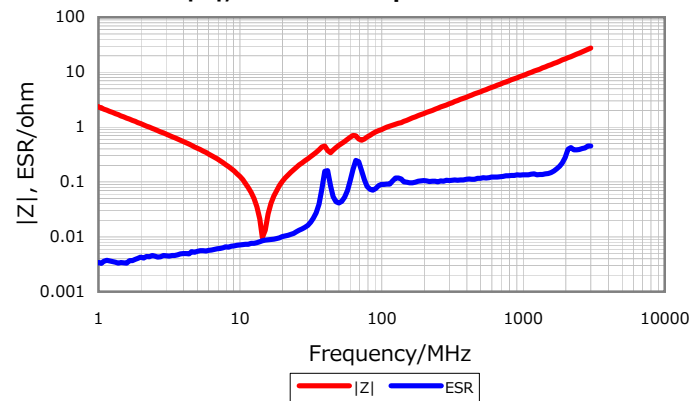
Insulation Resistance

7.35Gohm Min.

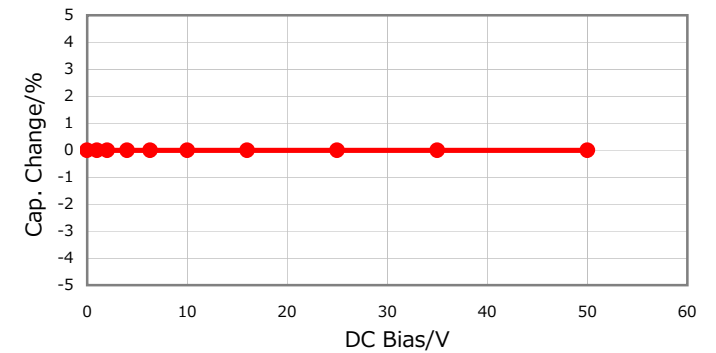
AEC-Q200

Not Applicable

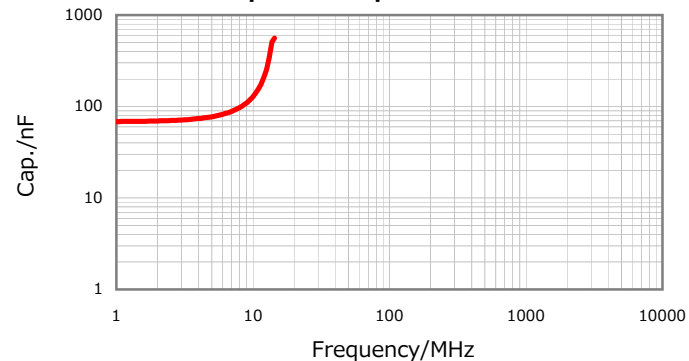
|Z|, ESR vs. Freq. Characteristics



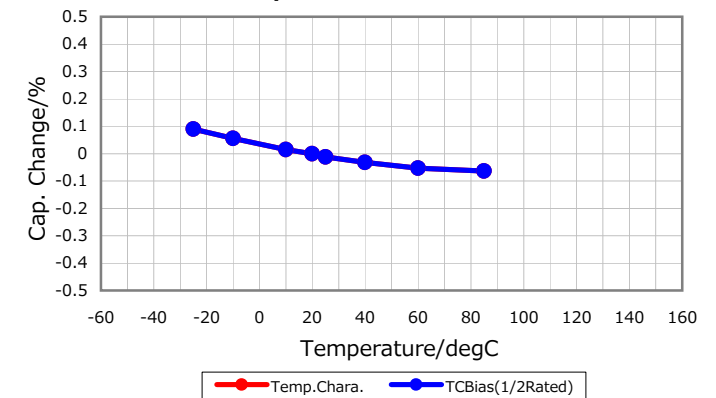
DC Bias Characteristic



Cap. vs. Freq. Characteristic



Temperature Characteristics



Characterization Sheet (Multilayer Ceramic Chip Capacitors)



All specifications are subject to change without notice.

January 4, 2016