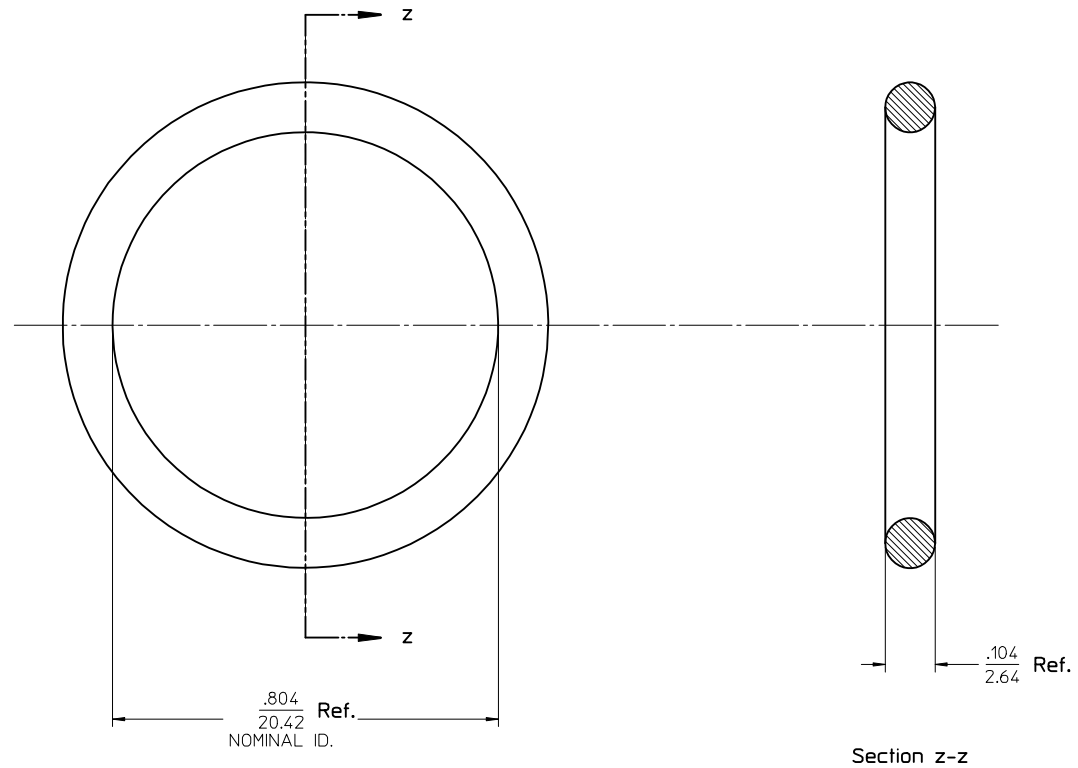
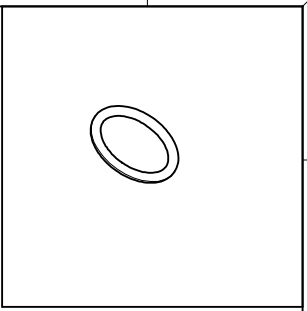


MATERIAL No.	OLD PART No.	MATERIAL	FINISH
1301800314	00-0820	NEOPRENE	BLACK

ENTER DESCRIPTION EC NO: WNA2009-0746 DRW: NKUMAR01 2009/05/21 CHKD: APPR: JFMURPHY 2009/06/10	DESCRIPTION REV:	QUALITY SYMBOLS	GENERAL TOLERANCES (UNLESS SPECIFIED) <table border="1"> <tr> <th></th> <th>mm</th> <th>INCH</th> </tr> <tr> <td>4 PLACES</td> <td>± .10</td> <td>± .004</td> </tr> <tr> <td>3 PLACES</td> <td>± .15</td> <td>± .006</td> </tr> <tr> <td>2 PLACES</td> <td>± .20</td> <td>± .008</td> </tr> <tr> <td>1 PLACE</td> <td>± 0.3</td> <td>± .012</td> </tr> </table> ANGULAR ± 1/2°		mm	INCH	4 PLACES	± .10	± .004	3 PLACES	± .15	± .006	2 PLACES	± .20	± .008	1 PLACE	± 0.3	± .012	DIMENSION STYLE IN/MM DRAWN BY: NKUMAR01 DATE: 2009/05/21 CHECKED BY: BWOODMAN DATE: 2009/05/21 APPROVED BY: JFMURPHY DATE: 2009/05/21	SCALE 5:1 DESIGN UNITS INCH THIRD ANGLE PROJECTION	TITLE O-RING .804 ID X .104 THK
				mm	INCH																
		4 PLACES		± .10	± .004																
		3 PLACES		± .15	± .006																
2 PLACES	± .20	± .008																			
1 PLACE	± 0.3	± .012																			
DRAFT WHERE APPLICABLE MUST REMAIN WITHIN DIMENSIONS	MATERIAL NO. 9999999999	DOCUMENT NO. SD-130180-314	SHEET NO. 1 OF 1																		
SIZE C	THIS DRAWING CONTAINS INFORMATION THAT IS PROPRIETARY TO MOLEX INCORPORATED AND SHOULD NOT BE USED WITHOUT WRITTEN PERMISSION																				
MOLEX INCORPORATED																					



Section z-z

MATERIAL No.	OLD PART No.	MATERIAL	FINISH
1301800314	00-0820	NEOPRENE	BLACK

ENTER DESCRIPTION EC NO: WNA2009-0746 DRWINGKUMAR01 2009/05/21 CHKD: APPR: JFMURPHY 2009/06/10	DESCRIPTION REV A	QUALITY SYMBOLS	GENERAL TOLERANCES (UNLESS SPECIFIED) <table border="1"> <tr> <th></th> <th>mm</th> <th>INCH</th> </tr> <tr> <td>4 PLACES</td> <td>± .10</td> <td>± .004</td> </tr> <tr> <td>3 PLACES</td> <td>± .15</td> <td>± .006</td> </tr> <tr> <td>2 PLACES</td> <td>± .20</td> <td>± .008</td> </tr> <tr> <td>1 PLACE</td> <td>± 0.3</td> <td>± .012</td> </tr> </table> ANGULAR ±1/2°		mm	INCH	4 PLACES	± .10	± .004	3 PLACES	± .15	± .006	2 PLACES	± .20	± .008	1 PLACE	± 0.3	± .012	DIMENSION STYLE IN/MM DRAWN BY NKUMAR01 DATE 2009/05/21 CHECKED BY BWOODMAN DATE 2009/05/21 APPROVED BY JFMURPHY DATE 2009/05/21	SCALE 5:1 DESIGN UNITS INCH THIRD ANGLE PROJECTION	TITLE O-RING .804 ID X .104 THK
				mm	INCH																
		4 PLACES		± .10	± .004																
		3 PLACES		± .15	± .006																
2 PLACES	± .20	± .008																			
1 PLACE	± 0.3	± .012																			
DRAFT WHERE APPLICABLE MUST REMAIN WITHIN DIMENSIONS		MATERIAL NO. 9999999999	DOCUMENT NO. SD-130180-314	SHEET NO. 1 OF 1																	
THIS DRAWING CONTAINS INFORMATION THAT IS PROPRIETARY TO MOLEX INCORPORATED AND SHOULD NOT BE USED WITHOUT WRITTEN PERMISSION																					
MOLEX INCORPORATED																					