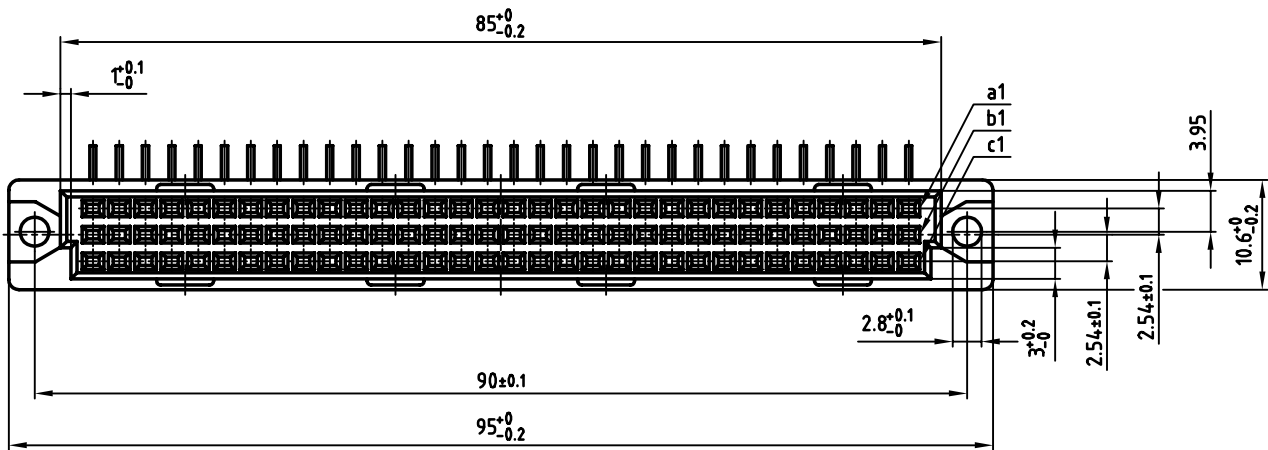
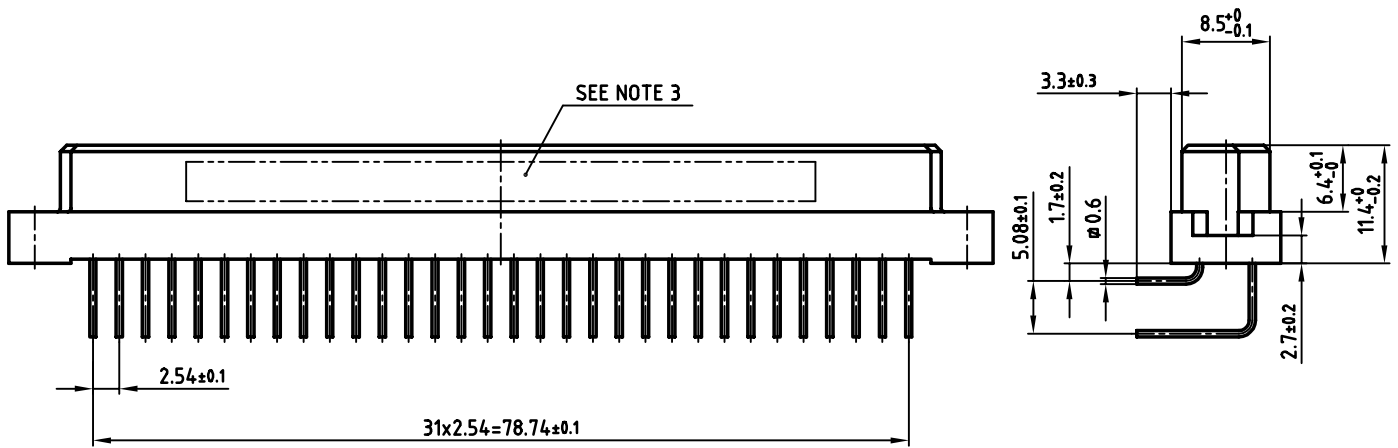
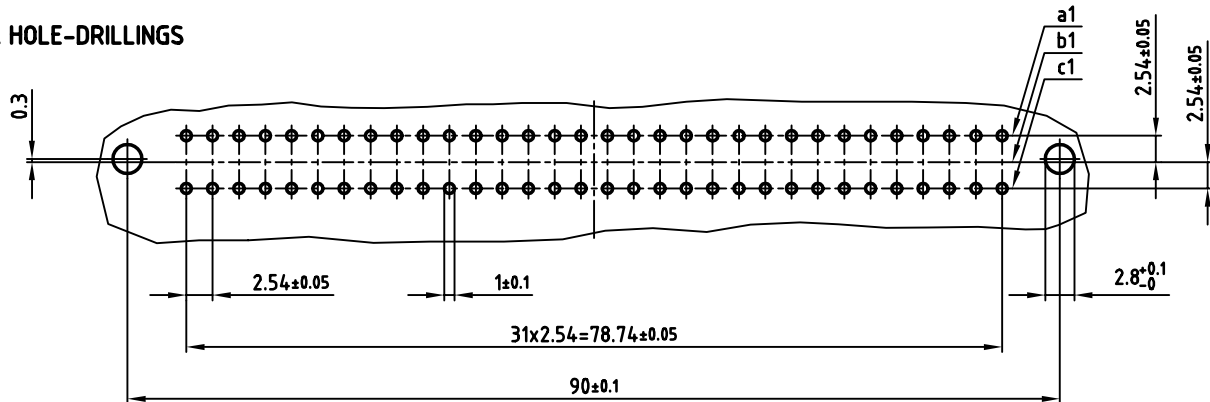


used for: DIN EN 60603 TYPE "C"



P.C.B. HOLE-DRILLINGS



NOTES:

1. INSULATORS: PBT GF UL 94 V-0, GREY
2. CONTACTS: COPPER ALLOY  
PLATING: min. 8µ" HARD GOLD OVER min. 50µ" NICKEL
3. CONNECTOR IS PART MARKED: 122A10399X CONEC Y/WW

APPROVAL # FREIGABE # DEBLOCAGE # AUTORIZACION # APPROVAL	
CUSTOMER APPROVAL DATE:	
NAME:	TITLE:
COMPANY NAME:	
APPROVAL # FREIGABE # DEBLOCAGE # AUTORIZACION # APPROVAL	

THIS DRAWING MAY NOT BE COPIED OR REPRODUCED IN ANY WAY, AND MAY NOT BE PASSED ON TO A THIRD PARTY, WITHOUT WRITTEN PERMISSION.  
OWNERSHIP AND COPYRIGHT OF CONEC GmbH  
DO NOT ALTER CAD DRAWING BY HAND

rev.	description	date	name

tolerance	
2002	date
drawn	01.07. Parei
appd.	01.07. E. Mickenbecker
norm	DIN EN 60603
d-old	

scale:	2:1
material:	SEE NOTES
title: <b>FEMALE CONNECTOR TYPE "C"</b> 64pos. ANGLED	
dwg no:	AutoCAD 2000
12K1A211	
part no:	122A10399X
DIN-A	3
sh:	1/1