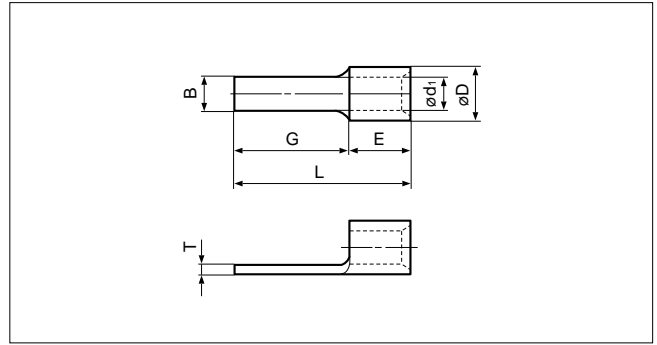



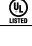



Solderless terminals

**BLADE** Non-insulated



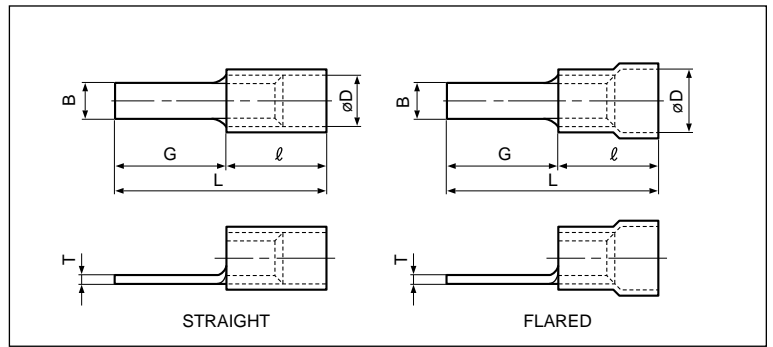
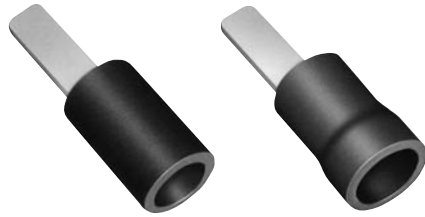
Certificate No.:  E42024

| Applicable Wire<br>AWG# (mm <sup>2</sup> ) | Part No.    | Standard  | Dimensions mm (in.) |             |             |            |               |               |               | Tool No. |      |      |      |           | Qty/box |
|--|-------------|---|---------------------|-------------|-------------|------------|---------------|---------------|---------------|----------|------|------|------|-----------|---------|
|  |             |   | B                   | L           | G           | E          | øD            | ød1           | T             | YHT-2210 | YA-1 | YA-2 | YA-4 | BCT-0514L |         |
| 22 to 16<br>(0.25 to 1.65)                 | 1.25-1AF    |    | 2.8 (.110)          | 13.3 (.524) | 9.0 (.354)  | 4.3 (.169) | 3.4<br>(.134) | 1.7<br>(.067) | 0.8<br>(.031) | 0        | 0    | 0    | 0    | 0         | 1,000   |
|  | 1.25-2AF    |   | 3.4 (.134)          | 15.0 (.591) | 10.2 (.402) | 4.8 (.189) |               |               |               |          |      |      |      |           |         |
|  | 1.25-3AF    |   | 1.0 (.039)          | 14.0 (.551) | 9.8 (.386)  | 4.2 (.165) |               |               |               |          |      |      |      |           |         |
|  | 1.25-AF2.3A |   | 2.3 (.091)          | 23.0 (.906) | 18.0 (.709) | 4.8 (.189) |               |               |               |          |      |      |      |           |         |
|  | 1.25-AF2.3B |   | 2.3 (.091)          | 15.0 (.591) | 10.0 (.394) | 4.8 (.189) |               |               |               |          |      |      |      |           |         |
|  | 1.25-AF3A-S |   | 3.0 (.118)          | 17.3 (.681) | 12.5 (.492) | 4.8 (.189) |               |               |               |          |      |      |      |           |         |
|  | 1.25-BL     |   | 3.0 (.118)          | 15.9 (.626) | 11.1 (.437) | 4.8 (.189) |               |               |               |          |      |      |      |           |         |
| 1.25-BL2                                   | 3.0 (.118)  | 19.3 (.760)   | 14.5 (.571)         | 4.8 (.189)  |             |            |               |               |               |          |      |      |      |           |         |
| 16 to 14<br>(1.04 to 2.63)                 | 2-1AF       |  | 2.8 (.110)          | 13.3 (.524) | 9.0 (.354)  | 4.3 (.169) | 4.1<br>(.161) | 2.3<br>(.091) | 0.8<br>(.031) | 0        | 0    | 0    | 0    | 0         | 1,000   |
|  | 2-2AF G-16  |   | 2.8 (.110)          | 20.8 (.819) | 16.0 (.630) | 4.8 (.189) |               |               |               |          |      |      |      |           |         |
|  | 2-AFW       |   | 4.6 (.181)          | 23.0 (.906) | 18.2 (.717) | 4.8 (.189) |               |               |               |          |      |      |      |           |         |
|  | 2-AF2.3A    |   | 2.3 (.091)          | 23.0 (.906) | 18.0 (.709) | 4.8 (.189) |               |               |               |          |      |      |      |           |         |
|  | 2-AF3A-S    |   | 3.0 (.118)          | 17.3 (.681) | 12.5 (.492) | 4.8 (.189) |               |               |               |          |      |      |      |           |         |
| 12 to 10<br>(2.63 to 6.64)                 | 5.5-1AF     |  | 2.8 (.110)          | 16.2 (.638) | 10.0 (.394) | 6.2 (.244) | 5.6<br>(.220) | 3.4<br>(.134) | 1.0<br>(.039) | 0        | 0    | 0    | 0    | 500       |         |
|  | 5.5-2AF     |   | 4.0 (.157)          | 25.4(1.000) | 18.6 (.732) | 6.8 (.268) |               |               |               |          |      |      |      |           |         |
|  | 5.5-AFW     |  | 4.5 (.177)          | 25.4(1.000) | 18.6 (.732) | 6.8 (.268) |               |               |               |          |      |      |      |           |         |
|  | 5.5-AF4A-S  |   | 4.0 (.157)          | 20.8 (.819) | 14.0 (.551) | 6.8 (.268) |               |               |               |          |      |      |      |           |         |

- Note: 1) Terminals with part number suffix "-S" have serrations on the blade.  
 2) The part numbers indicated in the above table are for products with a brazed seam.  
 When ordering products with a butted seam, add the prefix "WS" to the part number (ex. 2-1AF → WS2-1AF).  
 3) Delivery lead times may vary depending on the product. Contact JST for details.

Solderless terminals

**BLADE** Vinyl-insulated



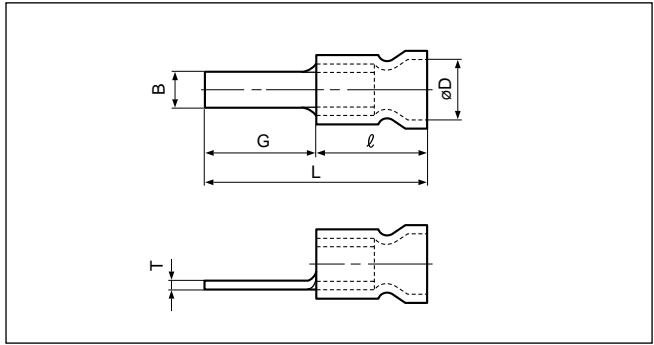
Certificate No.: E42024


| Applicable Wire<br>AWG#(mm <sup>2</sup> ) | Part No.     |               | Standard | Dimensions mm (in.) |             |             |                |               |               | Color         | Tool No. |          |          |           |      |      | Qty/box |      |           |
|---|--------------|---------------|----------|---------------------|-------------|-------------|----------------|---------------|---------------|---------------|----------|----------|----------|-----------|------|------|---------|------|-----------|
|   | Straight     | Flared        |          | B                   | L           | G           | ℓ              | ø D           |               |               | T        | YNT-2216 | YNT-1614 | YNT-1210S | YA-1 | YA-2 |         | YA-4 | BCT-0514L |
|   |              |               |          |                     |             |             |                | Str.          | Fld.          |               |          |          |          |           |      |      |         |      |           |
| 22 to 16<br>*(0.25 to 1.65)               | V1.25-1AF    | FV1.25-1AF    |          | 2.8 (.110)          | 18.0 (.709) | 9.0 (.354)  | 9.0<br>(.354)  | 3.2<br>(.126) | 4.0<br>(.157) | 0.8<br>(.031) | Red      | o        | o        | o         | o    | o    | 1,000   |      |           |
|   | V1.25-2AF    | FV1.25-2AF    |          | 3.4 (.134)          | 19.2 (.756) | 10.2 (.402) |                |               |               |               |          |          |          |           |      |      |         |      |           |
|   | -            | FV1.25-AF2.3A |          | 2.3 (.091)          | 27.2(1.071) | 18.0 (.709) |                |               |               |               |          |          |          |           |      |      |         |      |           |
|   | -            | FV1.25-AF2.3B |          | 2.3 (.091)          | 19.2 (.756) | 10.0 (.394) |                |               |               |               |          |          |          |           |      |      |         |      |           |
|   | V1.25-AF3A-S | FV1.25-AF3A-S |          | 3.0 (.118)          | 21.5 (.846) | 12.5 (.492) |                |               |               |               |          |          |          |           |      |      |         |      |           |
|   | -            | FV1.25-BL     |          | 3.0 (.118)          | 20.1 (.791) | 11.1 (.437) |                |               |               |               |          |          |          |           |      |      |         |      |           |
| 16 to 14<br>(1.04 to 2.63)                | V2-1AF       | FV2-1AF       |          | 2.8 (.110)          | 18.0 (.709) | 9.0 (.354)  | 9.0<br>(.354)  | 3.9<br>(.154) | 4.5<br>(.177) | 0.8<br>(.031) | Blue     | o        | o        | o         | o    | o    | 1,000   |      |           |
|   | -            | FV2-2AF G-16  |          | 2.8 (.110)          | 25.0 (.984) | 16.0 (.630) |                |               |               |               |          |          |          |           |      |      |         |      |           |
|   | V2-AFW       | FV2-AFW       |          | 4.6 (.181)          | 27.2(1.071) | 18.2 (.717) |                |               |               |               |          |          |          |           |      |      |         |      |           |
|   | -            | FV2-AF2.3A    |          | 2.3 (.091)          | 27.2(1.071) | 18.0 (.709) |                |               |               |               |          |          |          |           |      |      |         |      |           |
|   | -            | FV2-AF3A-S    |          | 3.0 (.118)          | 21.5 (.846) | 12.5 (.492) |                |               |               |               |          |          |          |           |      |      |         |      |           |
| 12 to 10<br>(2.63 to 6.64)                | V5.5-1AF     | FV5.5-1AF     |          | 2.8 (.110)          | 23.5 (.925) | 10.0 (.394) | 13.5<br>(.531) | 5.4<br>(.213) | 6.8<br>(.268) | 1.0<br>(.039) | Yellow   | o        | o        | o         | o    | 500  |         |      |           |
|   | V5.5-AFW     | FV5.5-AFW     |          | 4.5 (.177)          | 32.1(1.264) | 18.6 (.732) |                |               |               |               |          |          |          |           |      |      |         |      |           |
|   | V5.5-AF4A-S  | FV5.5-AF4A-S  |          | 4.0 (.157)          | 27.5(1.083) | 14.0 (.551) |                |               |               |               |          |          |          |           |      |      |         |      |           |



- Note:1) Terminals with part number suffix "-S" have serrations on the blade.  
 2) The part numbers indicated in the above table are for products with a brazed seam.  
 When ordering products with a butted seam, add the prefix "WS" to the part number (ex. V2-1AF → **VWS2-1AF**).  
 3) \*The crimping will be more secure if the total cross-sectional area of the wire is at least 0.5 mm<sup>2</sup>.  
 Examples: If the cross-sectional area of the wire is 0.3 mm<sup>2</sup>, fold the wire in two when crimping the terminal.  
 If the cross-sectional area of the wire is 0.5 mm<sup>2</sup>, crimp the terminal onto the wire as it is.  
 4) Delivery lead times may vary depending on the product. Contact JST for details.

Solderless terminals

**BLADE** Vinyl-insulated (funnel-entry)



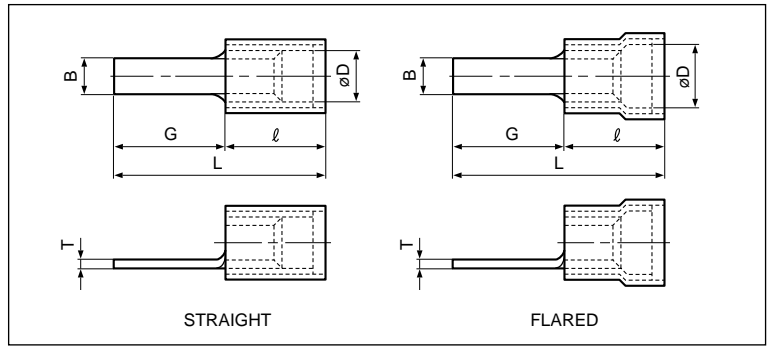
Certificate No.:  E42024

| Applicable Wire<br>AWG# (mm <sup>2</sup> ) | Part No.       | Standard  | Dimensions mm (in.) |             |             |                |               |               | Color | Tool No. |          |           |      |      |      | Qty/box |           |
|--|----------------|---|---------------------|-------------|-------------|----------------|---------------|---------------|-------|----------|----------|-----------|------|------|------|---------|-----------|
|  |                |   | B                   | L           | G           | ℓ              | øD            | T             |       | YNT-2216 | YNT-1614 | YNT-1210S | YA-1 | YA-2 | YA-4 |         | BCT-0514L |
| 22 to 16<br>*(0.25 to 1.65)                | FVX1.25-AF2.3B |  | 2.3 (.091)          | 21.0 (.827) | 10.0 (.394) | 10.8<br>(.425) | 4.0<br>(.157) | 0.8<br>(.031) | Red   | ○        |          |           | ○    | ○    | ○    | ○       | 1,000     |
|  | FVX1.25-BL     |   | 3.0 (.118)          | 21.9 (.862) | 11.1 (.437) |                |               |               |       |          |          |           |      |      |      |         |           |
| 16 to 14<br>(1.04 to 2.63)                 | FVX2-AFW       |  | 4.6 (.181)          | 29.0(1.142) | 18.2 (.717) | 10.8<br>(.425) | 4.6<br>(.181) | 0.8<br>(.031) | Blue  | ○        |          |           | ○    | ○    | ○    | ○       | 1,000     |
|  | FVX2-AF3A-S    |   | 3.0 (.118)          | 23.3 (.917) | 12.5 (.492) |                |               |               |       |          |          |           |      |      |      |         |           |

- Note: 1) Terminals with part number suffix "-S" have serrations on the blade.  
 2) The part numbers indicated in the above table are for products with a brazed seam.  
 When ordering products with a butted seam, add the prefix "WS" to the part number (ex. FVX1.25-AF3A-S → **FVXWS1.25-AF3A-S**).  
 3) \*The crimping will be more secure if the total cross-sectional area of the wire is at least 0.5 mm<sup>2</sup>.  
 Examples: If the cross-sectional area of the wire is 0.3 mm<sup>2</sup>, fold the wire in two when crimping the terminal.  
 If the cross-sectional area of the wire is 0.5 mm<sup>2</sup>, crimp the terminal onto the wire as it is.  
 4) Delivery lead times may vary depending on the product. Contact JST for details.

Solderless terminals

**BLADE** vinyl-insulated with copper sleeve



Certificate No.: E42024

| Applicable Wire<br>AWG#(mm <sup>2</sup> ) | Part No.      |                | Standard | Dimensions mm (in.) |             |             |                |               |               |               | Color  | Tool No. |          |           |      |      |       | Qty/box |           |
|---|---------------|----------------|----------|---------------------|-------------|-------------|----------------|---------------|---------------|---------------|--------|----------|----------|-----------|------|------|-------|---------|-----------|
|   | Straight      | Flared         |          | B                   | L           | G           | ℓ              | ø D           |               | T             |        | YNT-2216 | YNT-1614 | YNT-1210S | YA-1 | YA-2 | YA-4  |         | BCT-0514L |
|   |               |                |          |                     |             |             |                | Str.          | Fld.          |               |        |          |          |           |      |      |       |         |           |
| 22 to 16<br>(0.25 to 1.65)                | VD1.25-1AF    | FVD1.25-1AF    |          | 2.8 (.110)          | 18.6 (.732) | 9.0 (.354)  | 9.6<br>(.378)  | 3.5<br>(.138) | 4.0<br>(.157) | 0.8<br>(.031) | Red    | o        | o        | o         | o    | o    | 1,000 |         |           |
|   | VD1.25-2AF    | -              |          | 3.4 (.134)          | 19.8 (.780) | 10.2 (.402) |                |               |               |               |        |          |          |           |      |      |       |         |           |
|   | VD1.25-3AF    | FVD1.25-3AF    |          | 1.0 (.039)          | 19.4 (.764) | 9.8 (.386)  |                |               |               |               |        |          |          |           |      |      |       |         |           |
|   | VD1.25-AF2.3B | FVD1.25-AF2.3B |          | 2.3 (.091)          | 19.8 (.780) | 10.0 (.394) |                |               |               |               |        |          |          |           |      |      |       |         |           |
|   | VD1.25-AF3A-S | FVD1.25-AF3A-S |          | 3.0 (.118)          | 22.1 (.870) | 12.5 (.492) |                |               |               |               |        |          |          |           |      |      |       |         |           |
|   | VD1.25-BL     | -              |          | 3.0 (.118)          | 20.7 (.815) | 11.1 (.437) |                |               |               |               |        |          |          |           |      |      |       |         |           |
| 16 to 14<br>(1.04 to 2.63)                | VD2-1AF       | FVD2-1AF       |          | 2.8 (.110)          | 18.1 (.713) | 9.0 (.354)  | 9.6<br>(.378)  | 4.1<br>(.161) | 4.7<br>(.185) | 0.8<br>(.031) | Blue   | o        | o        | o         | o    | o    | 1,000 |         |           |
|   | VD2-2AF G-16  | FVD2-2AF G-16  |          | 2.8 (.110)          | 25.6(1.008) | 16.0 (.630) |                |               |               |               |        |          |          |           |      |      |       |         |           |
|   | VD2-AFW       | FVD2-AFW       |          | 4.6 (.181)          | 27.8(1.094) | 18.2 (.717) |                |               |               |               |        |          |          |           |      |      |       |         |           |
|   | VD2-AF2.3A    | FVD2-AF2.3A    |          | 2.3 (.091)          | 27.8(1.094) | 18.0 (.709) |                |               |               |               |        |          |          |           |      |      |       |         |           |
|   | -             | FVD2-AF3A-S    |          | 3.0 (.118)          | 22.1 (.870) | 12.5 (.492) |                |               |               |               |        |          |          |           |      |      |       |         |           |
| 12 to 10<br>(2.63 to 6.64)                | VD5.5-1AF     | -              |          | 2.8 (.110)          | 24.0 (.945) | 10.0 (.394) | 14.0<br>(.551) | 5.7<br>(.224) | 6.5<br>(.256) | 1.0<br>(.039) | Yellow | o        | o        | o         | o    | 500  |       |         |           |
|   | VD5.5-AFW     | -              |          | 4.5 (.177)          | 32.6(1.283) | 18.6 (.732) |                |               |               |               |        |          |          |           |      |      |       |         |           |
|   | VD5.5-AF4A-S  | FVD5.5-AF4A-S  |          | 4.0 (.157)          | 28.0(1.102) | 14.0 (.551) |                |               |               |               |        |          |          |           |      |      |       |         |           |

- Note:1) Terminals with part number suffix "-S" have serrations on the blade.  
 2) The part numbers indicated in the above table are for products with a brazed seam.  
 When ordering products with a butted seam, add the prefix "WS" to the part number (ex. FVD2-1AF -->FVDWS2-1AF).  
 3) Delivery lead times may vary depending on the product. Contact JST for details.