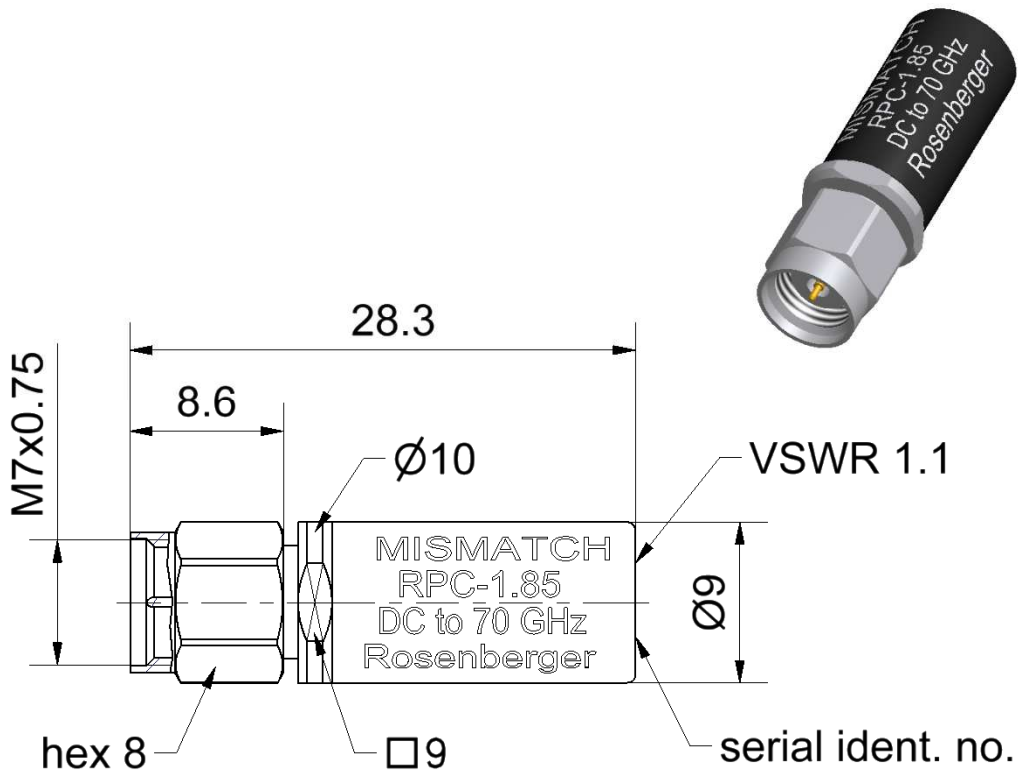


RPC-1.85

Mismatch
Plug

08S150-055S3



All dimensions are in mm; tolerances according to ISO 2768 m-H

Interface

According to IEC 61169-32
Mechanically compatible with RPC-2.40

Documents

Application note AN001 "Calibration Services"

Material and plating

Connector parts

| | Material | Plating |
|----------------|--------------------------------|---------------------------------|
| Center contact | Beryllium copper | Gold, min. 1.27 µm, over nickel |
| Outer contact | Stainless steel | Passivated |
| Coupling nut | Stainless steel | Passivated |
| Dielectric | PS | |
| Substrate | Al ₂ O ₃ | |

Dieses Dokument ist urheberrechtlich geschützt • This document is protected by copyright • Rosenberger Hochfrequenztechnik GmbH & Co. KG

RF_35/09;14/6.2

Electrical data

| | |
|--------------------------------------|--|
| Frequency | DC to 70 GHz |
| Return loss | ≥ 1.1 ± 0.07, DC to 40 GHz ≥ 1.1 ± 0.13, 40 GHz to 70 GHz |
| DC Resistance | 55 Ω ± 0.275 Ω |
| Power handling (at 25 °C, sea level) | ≤ 0.5 W, derated linearity by 0.005 W/K |

Mechanical data

| | |
|--------------------|--------------------|
| Mating cycles | ≥ 500 |
| Maximum torque | 1.65 Nm |
| Recommended torque | 0.90 Nm |
| Gauge | 0.00 mm to 0.03 mm |

Environmental data

| | |
|---|-------------------|
| Operating temperature range ¹ | +20 °C to +26 °C |
| Rated temperature range of use ² | 0 °C to +50 °C |
| Storage temperature range | - 40 °C to +85 °C |

RoHS compliant

¹ Temperature range over which these specification are valid.

² This range is underneath and above the operating temperature range, within the mismatch is fully functional and could be used without damage.

Declaration of calibration options

Factory Calibration

Standard delivery for this calibration standard includes a Factory Calibration. The Calibration Certificate issued reports individual calibration results, traceable to national / international standards.

Accredited Calibration

Not available.

For further, more detailed information see application note AN001 on the Rosenberger homepage.

Calibration interval

Recommendation 12 months

Packing

Standard 1 pce in box
Weight 7.2 g/pce

While the information has been carefully compiled to the best of our knowledge, nothing is intended as representation or warranty on our part and no statement herein shall be construed as recommendation to infringe existing patents. In the effort to improve our products, we reserve the right to make changes judged to be necessary.

| | | | | | | | |
|--|----------|---------------|----------|------|---|------------------|---------------|
| Draft | Date | Approved | Date | Rev. | Engineering change number | Name | Date |
| Kerstin Herzog | 05.02.08 | Markus Müller | 20.07.18 | d00 | 18-1027 | Marion Striegler | 20.07.18 |
| Rosenberger Hochfrequenztechnik GmbH & Co. KG P.O.Box 1260 D-84526 Tittmoning Germany www.rosenberger.de | | | | | Tel. : +49 8684 18-0 Email : info@rosenberger.de | | Page 2 / 2 |