



MICROCHIP New Peripherals Tips 'n Tricks

The Complementary Waveform Generator (CWG), Configurable Logic Cell (CLC), and the Numerically Controlled Oscillator (NCO) Peripherals

TIPS 'N TRICKS INTRODUCTION

Microchip continues to provide innovative products that are smaller, faster, easier to use and more reliable. Flash-based PIC[®] MCUs are used in a wide range of every day products from smoke detectors to industrial, automotive and medical products.

The PIC16(L)F150X and PIC10(L)F32X families of devices with on-chip configurable logic cells, merge all the advantages of the PIC MCU architecture and the flexibility of Flash program memory, with the functionality of a configurable digital logic cell. Together, they form a low-cost building block with resource savings and external component reduction.

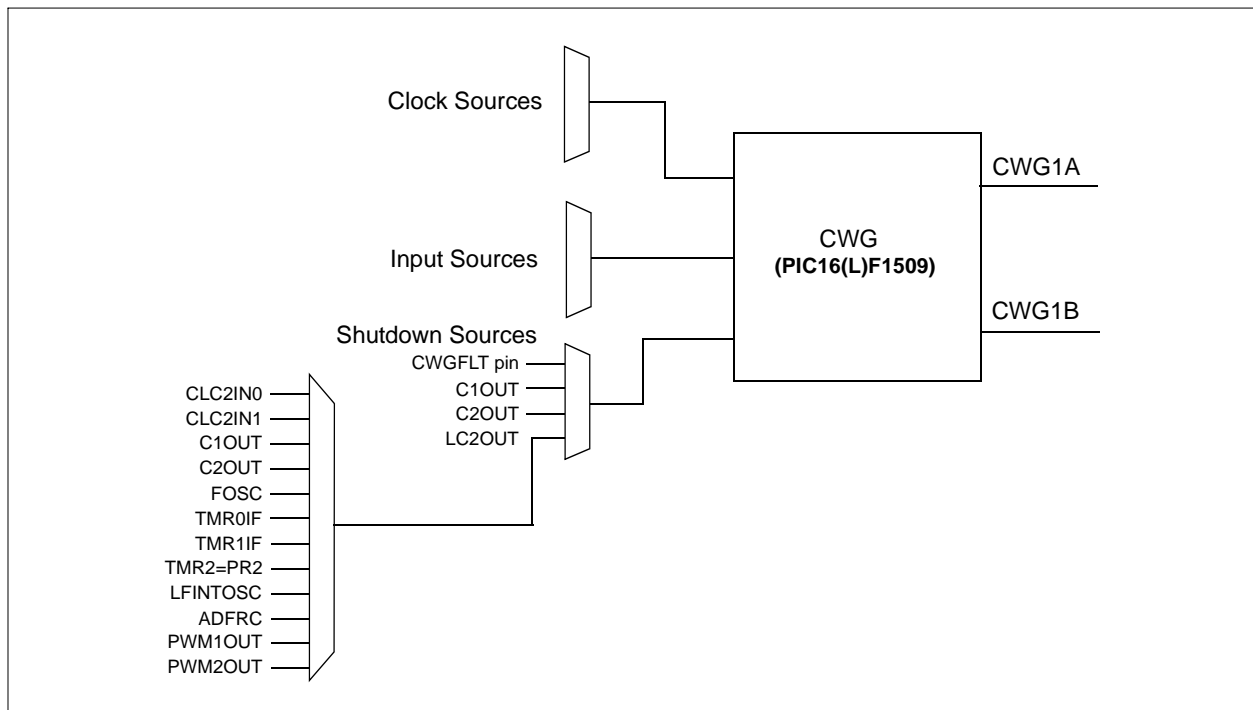
The flexibility of Flash and an excellent development tool suite, including a low-cost In-Circuit Debugger, In-Circuit Serial Programming[™] (ICSP[™]) and CLC Configuration Tool GUI, make these devices ideal for just about any embedded control application.

The following Tips 'n Tricks can be applied to a variety of applications to help make the most of digital logic functions using a PIC MCU with on-chip configurable logic.

TIP 1: EXTENDING AUTO-SHUTDOWN CONDITIONS/INPUTS FOR THE CWG

Have you ever found yourself in a situation where your PWM application needs more auto-shutdown conditions, other than the software driven ones, due to resource limitations? Here is a solution. The Complementary Waveform Generator (CWG) has two auto-shutdown condition inputs: the CWG1FLT pin for external conditions, and the output from the Configurable Logic Cell (CLC), LCxOUT -> LC2OUT. Use the CLC to your advantage. By selecting the CLC output as an auto-shutdown source, all of the inputs to the CLC are available as auto-shutdown conditions for your CWG (Figure 1).

FIGURE 1: EXTENDING THE CWG'S AUTO-SHUTDOWN SOURCES



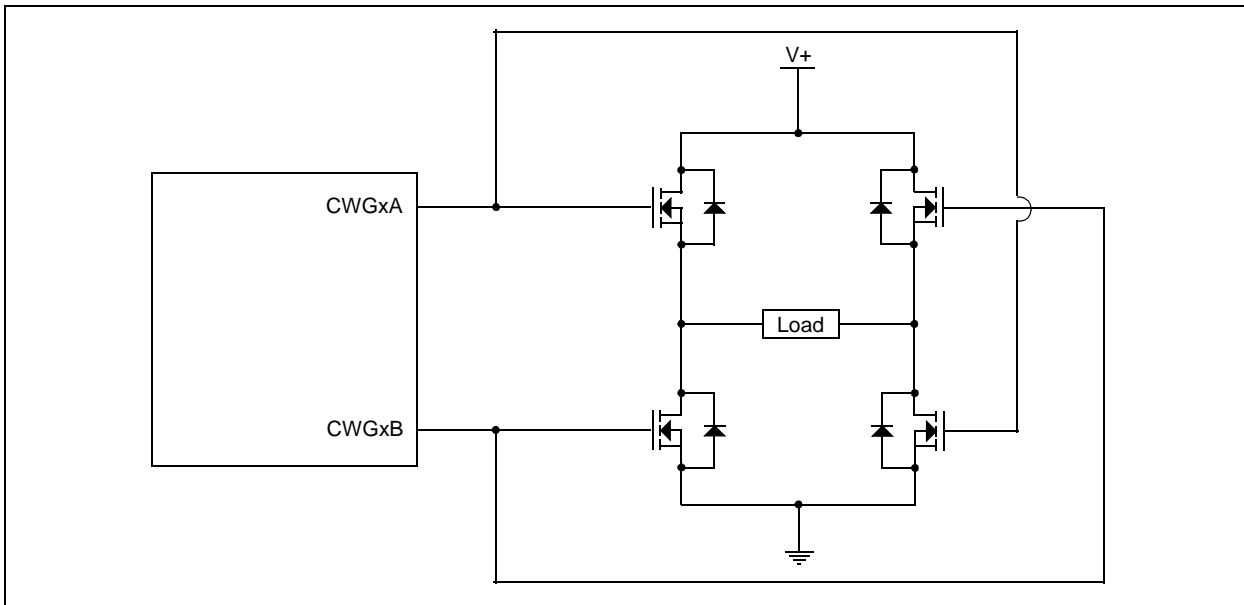
New Peripherals Tips 'n Tricks

TIP 2: DRIVING A HALF-BRIDGE OR A FULL-BRIDGE DRIVE CIRCUIT USING THE CWG

Do not think a high pin count microcontroller is needed to drive a half-bridge or full-bridge motor drive circuit. It can be done using the PWM in conjunction with the CWG module.

Setup the PWM module to output the desired drive signal to the CWG input. Now, configure the CWG to output the drive signal, and its complement, with the appropriate dead-band delay, to provide for non-overlapping output signals that drive the motor drive circuit, thus preventing shoot-through current. See [Figure 2](#) for an illustration of a CWG driving a full-bridge drive circuit.

FIGURE 2: CWG DRIVING A FULL-BRIDGE DRIVE CIRCUIT



New Peripherals Tips 'n Tricks

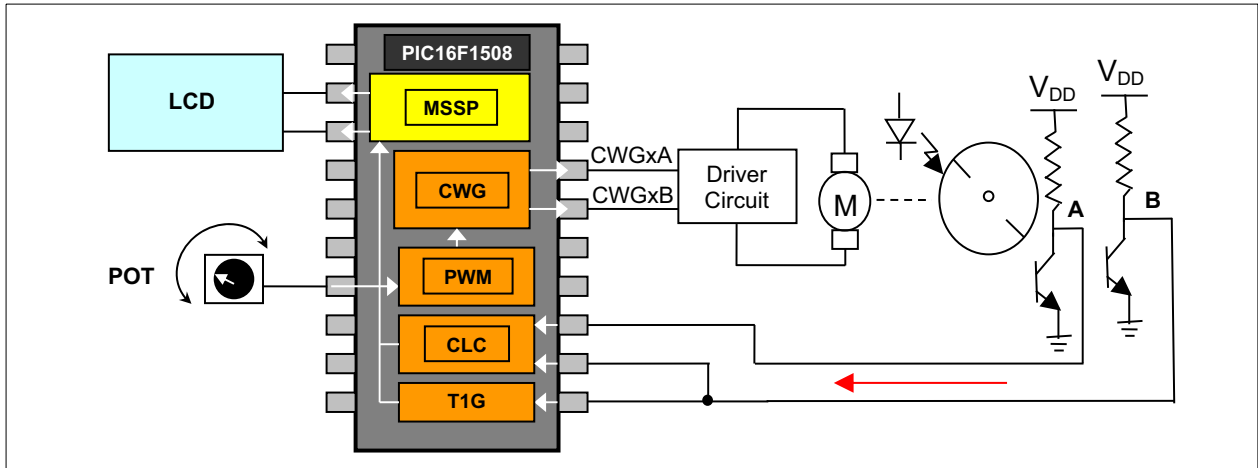
TIP 3: MEASURING DC MOTOR SPEED AND POSITION USING A QUADRATURE DECODER

Rotary encoders are typically used to provide direct physical feedback of motor position, and/or speed. A rotary encoder consists of a rotary element attached to the motor that has a physical feature, measured by a stationary component. The measurements can yield motor speed and sometimes can provide a motor position. Rotary encoders are built using many different technologies. The most common type is an optical rotary encoder. The optical rotary encoder is used in computer mice that have a ball. It is built with an encoder disc that is attached to the motor. The encoder disc has many radial slots cut into the disc at specific intervals. An LED and a photo detector are used to count the slots as they rotate. The speed of rotation can be determined by timing the rate of the slots' revolutions.

Sensing motor position requires a second LED and photo detector. The second sensor pair is mounted so the output pulse is 90° out of phase from the first pair. The two outputs represent the motion of the encoder disc as a quadrature modulated pulse train.

In this application example, the PWM module is used to generate a signal, controlled by an external potentiometer, then configuring it as an input to the CWG to drive a motor drive circuit. As the motor turns, spinning a disk with slots cut into it allowing light from a LED to shine through and on two photo transistors (A and B). As the light hits the photo transistors, a logic '0' is read on the input pin of the microcontroller. Therefore, as the input from photo transistor B is read into the microcontroller, the time calculated between every other falling edge (via Timer1 gate) of the input pulse signal corresponds to the speed of the motor. Now, with photo transistor A 90° from transistor B, you can determine the direction of the motor by using the CLC to determine which photo transistor was turned on first. See [Figure 3](#).

FIGURE 3: QUADRATURE DECODER SIMPLIFIED SCHEMATIC



New Peripherals Tips 'n Tricks

TIP 4: MANCHESTER DECODING USING THE CLC AND NCO

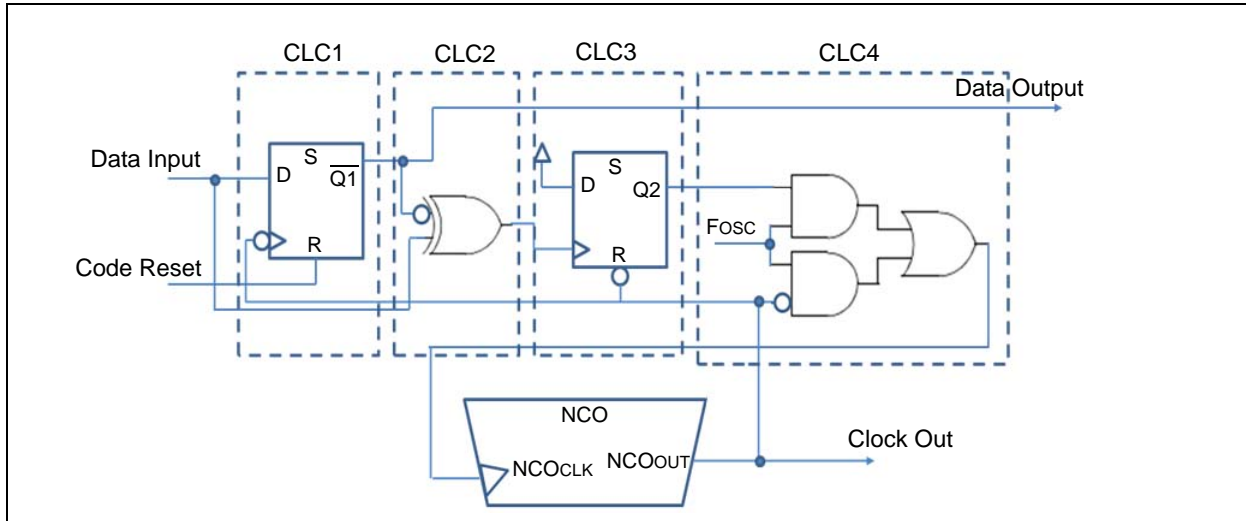
If a EUSART can be used for Manchester encoding, a Configurable Logic Cell (CLC) and a Numerically Controlled Oscillator (NCO) can be used for Manchester decoding.

This tip presents a method to decode a Manchester encoded signal using four CLCs and the NCO to separate the SPI data signal from a SPI clock signal. See [Figure 4](#). After selecting a microcontroller with four CLCs and an NCO, such as the PIC16F1509, configure the CLC1 to input the Manchester encoded data signal into a D flip-flop that is clocked by the inverse of the clock out signal that you are separating. See [Figure 5](#). The inverted output of this flip-flop is the output data

you are decoding. Next, configure the CLC2 to XOR the non-inverted output of CLC1 with the encoded data signal from the input of CLC1. See [Figure 6](#). This XOR output establishes the positive edge to which the output data is derived. Use this XOR output to clock the CLC3. See [Figure 7](#). Setup CLC3 using a logic high input and output CLC3 to the input of CLC4, which AND-Ors it to the internal oscillator frequency (Fosc) of the microcontroller and the clock out signal from the NCO.

See [Figure 8](#). The output signal of CLC4 is then used to clock the NCO accumulator. This makes the NCO output signal the clock frequency to establish the proper timing (the beginning and end of the data signal) to decode the data output signal. See Manchester Decoder Signal Diagram ([Figure 9](#)).

FIGURE 4: MANCHESTER DECODER SIMPLIFIED BLOCK DIAGRAM



New Peripherals Tips 'n Tricks

FIGURE 5: CLC1 SETUP

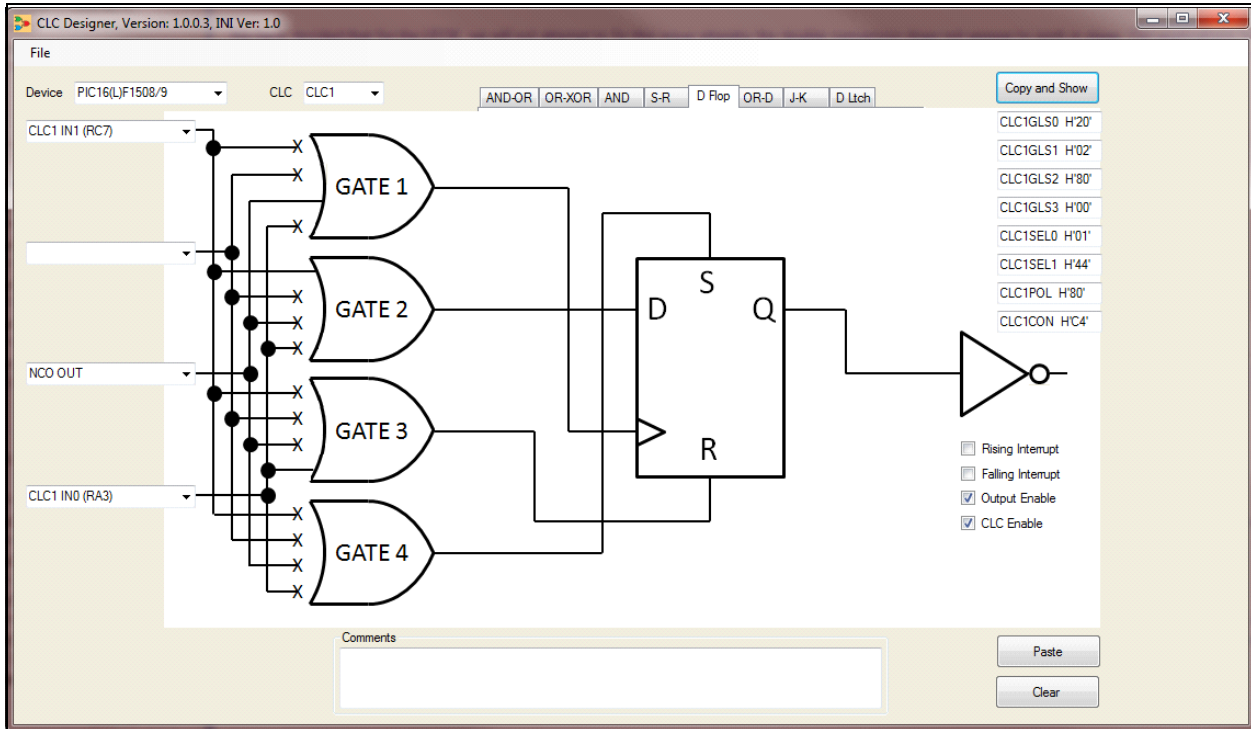
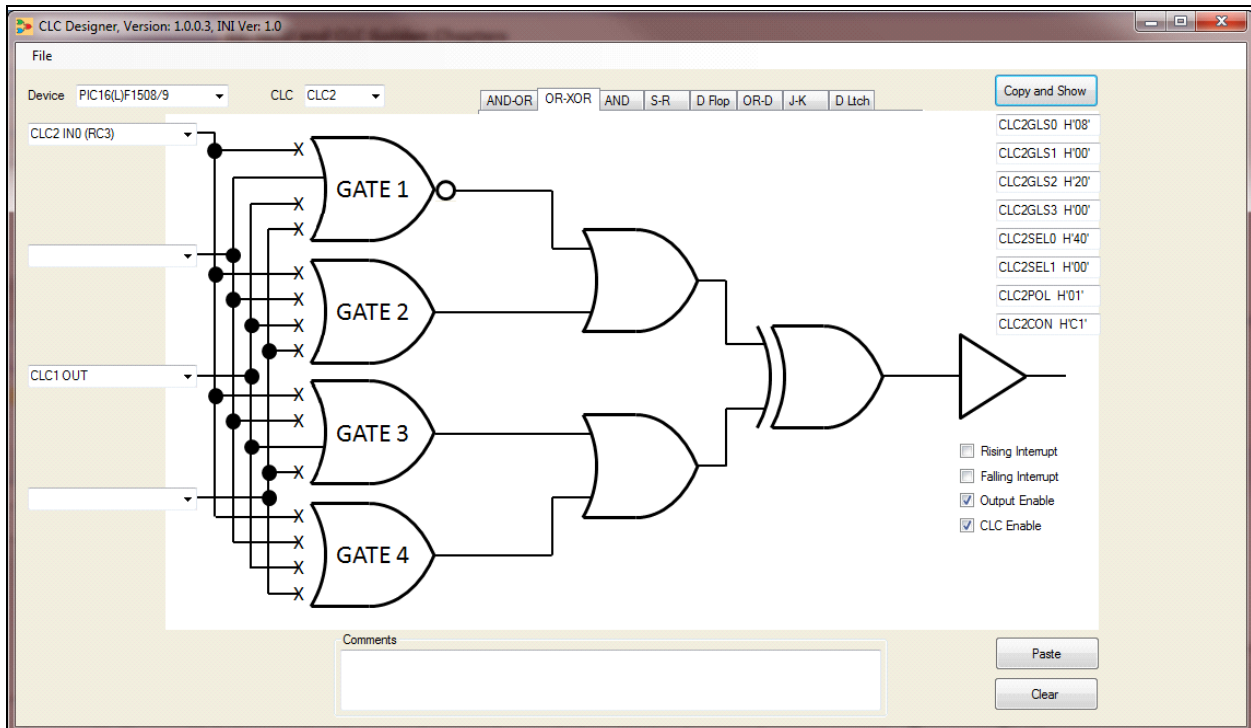


FIGURE 6: CLC2 SETUP



New Peripherals Tips 'n Tricks

FIGURE 7: CLC3 SETUP

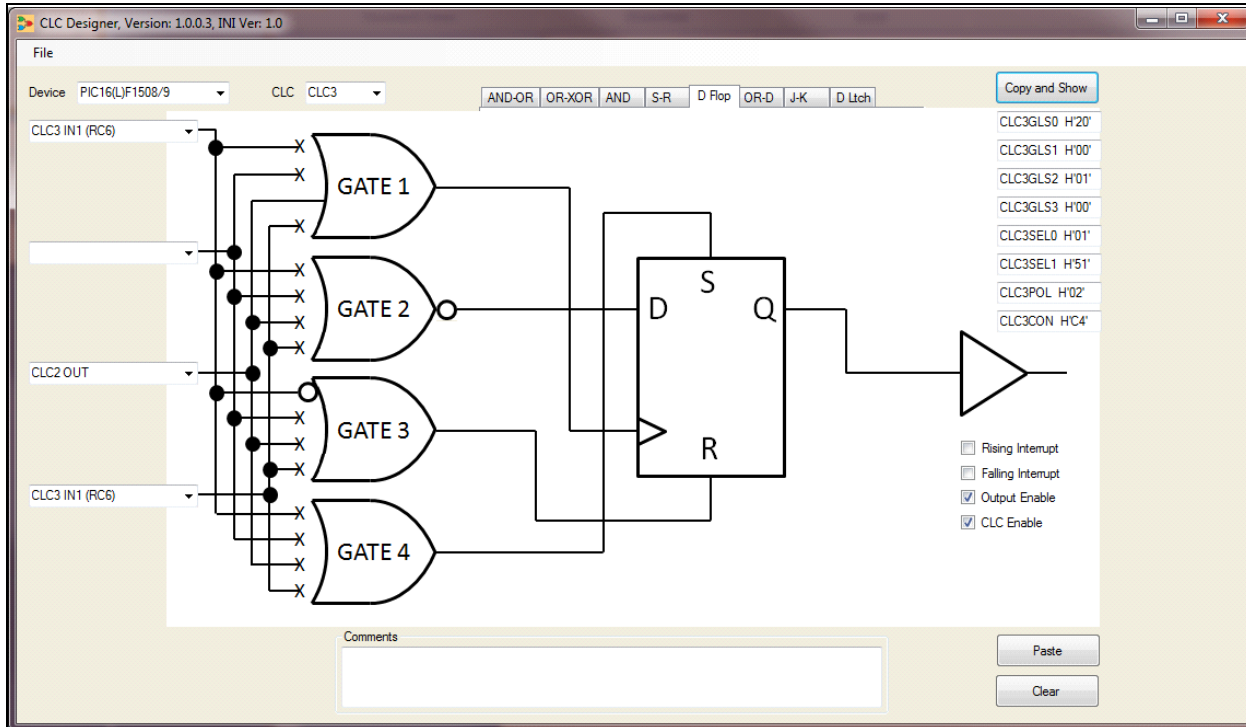
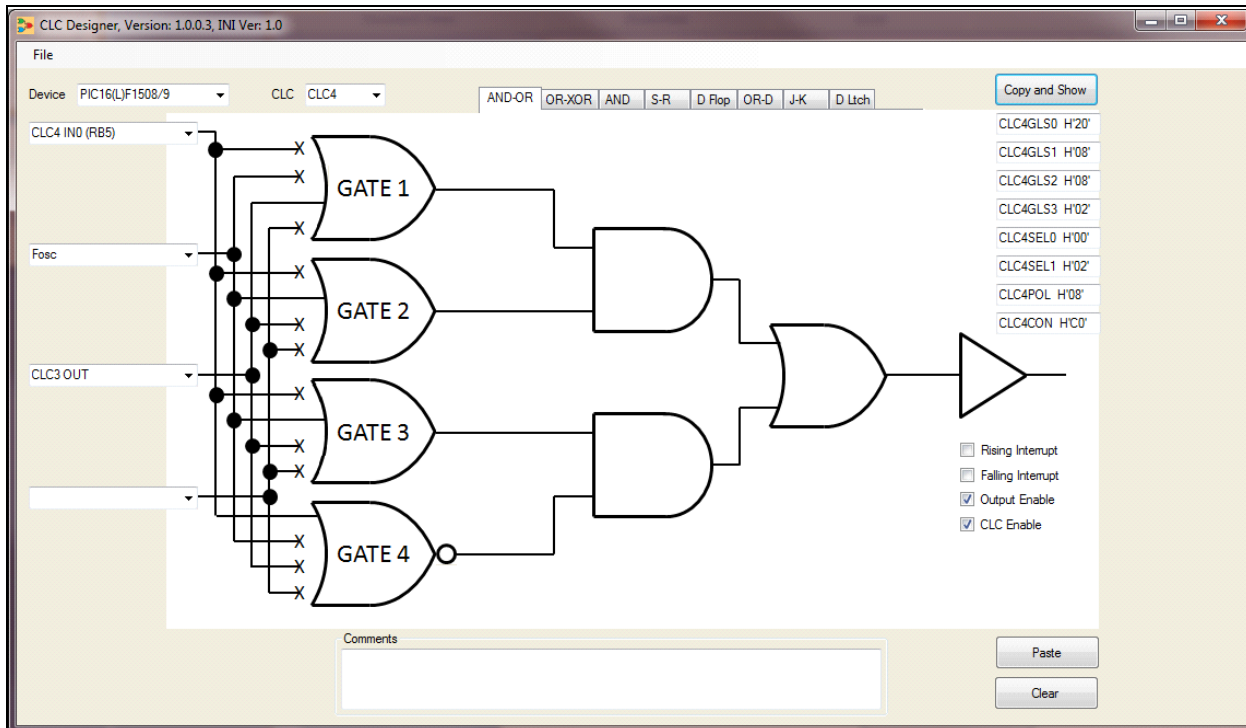
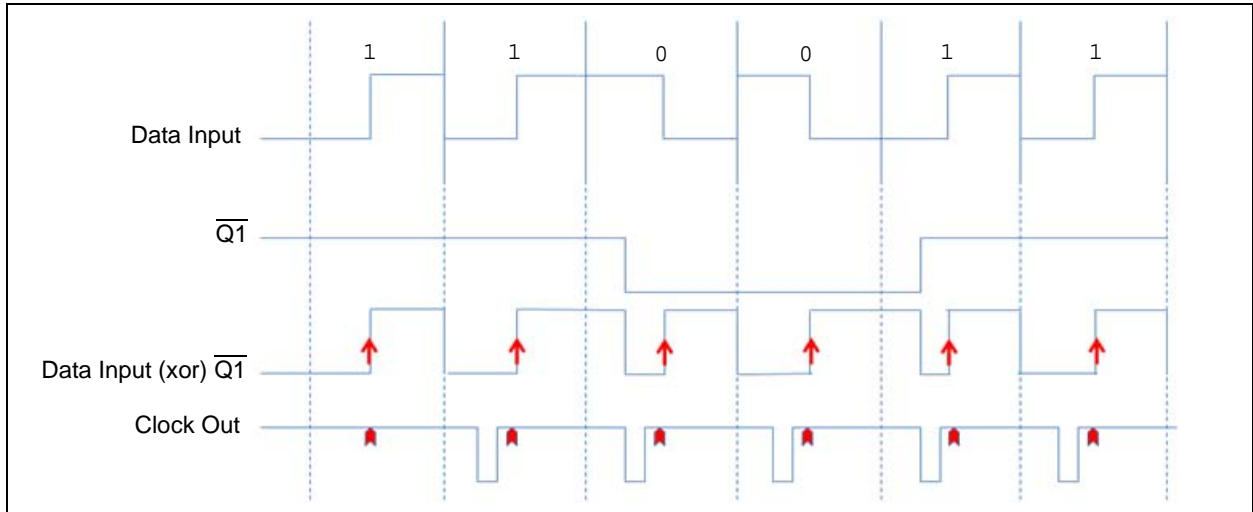


FIGURE 8: CLC4 SETUP



New Peripherals Tips 'n Tricks

FIGURE 9: MANCHESTER DECODER SIGNAL DIAGRAM



New Peripherals Tips 'n Tricks

RESOURCES

[1] *Configurable Logic Cell (CLC) Configuration Tool User's Guide*, DS41597 at www.microchip.com

[2] *Configurable Logic Cell (CLC) Configuration Tool GUI software* at www.microchip.com

[3] Device data sheet for the specific device you are using, at www.microchip.com

Note the following details of the code protection feature on Microchip devices:

- Microchip products meet the specification contained in their particular Microchip Data Sheet.
- Microchip believes that its family of products is one of the most secure families of its kind on the market today, when used in the intended manner and under normal conditions.
- There are dishonest and possibly illegal methods used to breach the code protection feature. All of these methods, to our knowledge, require using the Microchip products in a manner outside the operating specifications contained in Microchip's Data Sheets. Most likely, the person doing so is engaged in theft of intellectual property.
- Microchip is willing to work with the customer who is concerned about the integrity of their code.
- Neither Microchip nor any other semiconductor manufacturer can guarantee the security of their code. Code protection does not mean that we are guaranteeing the product as “unbreakable.”

Code protection is constantly evolving. We at Microchip are committed to continuously improving the code protection features of our products. Attempts to break Microchip's code protection feature may be a violation of the Digital Millennium Copyright Act. If such acts allow unauthorized access to your software or other copyrighted work, you may have a right to sue for relief under that Act.

Information contained in this publication regarding device applications and the like is provided only for your convenience and may be superseded by updates. It is your responsibility to ensure that your application meets with your specifications. MICROCHIP MAKES NO REPRESENTATIONS OR WARRANTIES OF ANY KIND WHETHER EXPRESS OR IMPLIED, WRITTEN OR ORAL, STATUTORY OR OTHERWISE, RELATED TO THE INFORMATION, INCLUDING BUT NOT LIMITED TO ITS CONDITION, QUALITY, PERFORMANCE, MERCHANTABILITY OR FITNESS FOR PURPOSE. Microchip disclaims all liability arising from this information and its use. Use of Microchip devices in life support and/or safety applications is entirely at the buyer's risk, and the buyer agrees to defend, indemnify and hold harmless Microchip from any and all damages, claims, suits, or expenses resulting from such use. No licenses are conveyed, implicitly or otherwise, under any Microchip intellectual property rights.

Trademarks

The Microchip name and logo, the Microchip logo, dsPIC, KEELOQ, KEELOQ logo, MPLAB, PIC, PICmicro, PICSTART, PIC³² logo, rPIC and UNI/O are registered trademarks of Microchip Technology Incorporated in the U.S.A. and other countries.


FilterLab, Hampshire, HI-TECH C, Linear Active Thermistor, MXDEV, MXLAB, SEEVAL and The Embedded Control Solutions Company are registered trademarks of Microchip Technology Incorporated in the U.S.A.

Analog-for-the-Digital Age, Application Maestro, BodyCom, chipKIT, chipKIT logo, CodeGuard, dsPICDEM, dsPICDEM.net, dsPICworks, dsSPEAK, ECAN, ECONOMONITOR, FanSense, HI-TIDE, In-Circuit Serial Programming, ICSP, Mindi, MiWi, MPASM, MPLAB Certified logo, MPLIB, MPLINK, mTouch, Omniscient Code Generation, PICC, PICC-18, PICDEM, PICDEM.net, PICKIT, PICTail, REAL ICE, rLAB, Select Mode, Total Endurance, TSHARC, UniWinDriver, WiperLock and ZENA are trademarks of Microchip Technology Incorporated in the U.S.A. and other countries.

SQTP is a service mark of Microchip Technology Incorporated in the U.S.A.

All other trademarks mentioned herein are property of their respective companies.

© 2012, Microchip Technology Incorporated, Printed in the U.S.A., All Rights Reserved.

 Printed on recycled paper.

ISBN: 978-1-62076-531-9

**QUALITY MANAGEMENT SYSTEM
CERTIFIED BY DNV
= ISO/TS 16949 =**

Microchip received ISO/TS-16949:2009 certification for its worldwide headquarters, design and wafer fabrication facilities in Chandler and Tempe, Arizona; Gresham, Oregon and design centers in California and India. The Company's quality system processes and procedures are for its PIC[®] MCUs and dsPIC[®] DSCs, KEELOQ[®] code hopping devices, Serial EEPROMs, microperipherals, nonvolatile memory and analog products. In addition, Microchip's quality system for the design and manufacture of development systems is ISO 9001:2000 certified.



MICROCHIP

Worldwide Sales and Service

AMERICAS

Corporate Office
2355 West Chandler Blvd.
Chandler, AZ 85224-6199
Tel: 480-792-7200
Fax: 480-792-7277
Technical Support:
<http://www.microchip.com/support>
Web Address:
www.microchip.com

Atlanta
Duluth, GA
Tel: 678-957-9614
Fax: 678-957-1455

Boston
Westborough, MA
Tel: 774-760-0087
Fax: 774-760-0088

Chicago
Itasca, IL
Tel: 630-285-0071
Fax: 630-285-0075

Cleveland
Independence, OH
Tel: 216-447-0464
Fax: 216-447-0643

Dallas
Addison, TX
Tel: 972-818-7423
Fax: 972-818-2924

Detroit
Farmington Hills, MI
Tel: 248-538-2250
Fax: 248-538-2260

Indianapolis
Noblesville, IN
Tel: 317-773-8323
Fax: 317-773-5453

Los Angeles
Mission Viejo, CA
Tel: 949-462-9523
Fax: 949-462-9608

Santa Clara
Santa Clara, CA
Tel: 408-961-6444
Fax: 408-961-6445

Toronto
Mississauga, Ontario,
Canada
Tel: 905-673-0699
Fax: 905-673-6509

ASIA/PACIFIC

Asia Pacific Office
Suites 3707-14, 37th Floor
Tower 6, The Gateway
Harbour City, Kowloon
Hong Kong
Tel: 852-2401-1200
Fax: 852-2401-3431

Australia - Sydney
Tel: 61-2-9868-6733
Fax: 61-2-9868-6755

China - Beijing
Tel: 86-10-8569-7000
Fax: 86-10-8528-2104

China - Chengdu
Tel: 86-28-8665-5511
Fax: 86-28-8665-7889

China - Chongqing
Tel: 86-23-8980-9588
Fax: 86-23-8980-9500

China - Hangzhou
Tel: 86-571-2819-3187
Fax: 86-571-2819-3189

China - Hong Kong SAR
Tel: 852-2401-1200
Fax: 852-2401-3431

China - Nanjing
Tel: 86-25-8473-2460
Fax: 86-25-8473-2470

China - Qingdao
Tel: 86-532-8502-7355
Fax: 86-532-8502-7205

China - Shanghai
Tel: 86-21-5407-5533
Fax: 86-21-5407-5066

China - Shenyang
Tel: 86-24-2334-2829
Fax: 86-24-2334-2393

China - Shenzhen
Tel: 86-755-8203-2660
Fax: 86-755-8203-1760

China - Wuhan
Tel: 86-27-5980-5300
Fax: 86-27-5980-5118

China - Xian
Tel: 86-29-8833-7252
Fax: 86-29-8833-7256

China - Xiamen
Tel: 86-592-2388138
Fax: 86-592-2388130

China - Zhuhai
Tel: 86-756-3210040
Fax: 86-756-3210049

ASIA/PACIFIC

India - Bangalore
Tel: 91-80-3090-4444
Fax: 91-80-3090-4123

India - New Delhi
Tel: 91-11-4160-8631
Fax: 91-11-4160-8632

India - Pune
Tel: 91-20-2566-1512
Fax: 91-20-2566-1513

Japan - Osaka
Tel: 81-66-152-7160
Fax: 81-66-152-9310

Japan - Yokohama
Tel: 81-45-471-6166
Fax: 81-45-471-6122

Korea - Daegu
Tel: 82-53-744-4301
Fax: 82-53-744-4302

Korea - Seoul
Tel: 82-2-554-7200
Fax: 82-2-558-5932 or
82-2-558-5934

Malaysia - Kuala Lumpur
Tel: 60-3-6201-9857
Fax: 60-3-6201-9859

Malaysia - Penang
Tel: 60-4-227-8870
Fax: 60-4-227-4068

Philippines - Manila
Tel: 63-2-634-9065
Fax: 63-2-634-9069

Singapore
Tel: 65-6334-8870
Fax: 65-6334-8850

Taiwan - Hsin Chu
Tel: 886-3-5778-366
Fax: 886-3-5770-955

Taiwan - Kaohsiung
Tel: 886-7-536-4818
Fax: 886-7-330-9305

Taiwan - Taipei
Tel: 886-2-2500-6610
Fax: 886-2-2508-0102

Thailand - Bangkok
Tel: 66-2-694-1351
Fax: 66-2-694-1350

EUROPE

Austria - Wels
Tel: 43-7242-2244-39
Fax: 43-7242-2244-393

Denmark - Copenhagen
Tel: 45-4450-2828
Fax: 45-4485-2829

France - Paris
Tel: 33-1-69-53-63-20
Fax: 33-1-69-30-90-79

Germany - Munich
Tel: 49-89-627-144-0
Fax: 49-89-627-144-44

Italy - Milan
Tel: 39-0331-742611
Fax: 39-0331-466781

Netherlands - Drunen
Tel: 31-416-690399
Fax: 31-416-690340

Spain - Madrid
Tel: 34-91-708-08-90
Fax: 34-91-708-08-91

UK - Wokingham
Tel: 44-118-921-5869
Fax: 44-118-921-5820

11/29/11