

## HC-D 15-TFL-53/O1M20S


Order No.: 1604896

The figure shows a version with a straight conductor exit

<http://eshop.phoenixcontact.de/phoenix/treeViewClick.do?UID=1604896>

HEAVYCON sleeve housing D15, for single locking latch, height 53 mm, with support 1x M20, lateral conductor exit

### Commercial data

GTIN (EAN)	 4 017918 882303
sales group	D011
Pack	10 pcs.
Customs tariff	85389099
Catalog page information	Page 510 (PC-2009)

### Product notes

WEEE/RoHS-compliant since:  
02/17/2006

<http://www.download.phoenixcontact.com>  
Please note that the data given here has been taken from the online catalog. For comprehensive information and data, please refer to the user documentation. The General Terms and Conditions of Use apply to Internet downloads.

### Technical data

#### General data

Note	For contact inserts HC-D15, A10
Design	D15
Height	53 mm
Width	36 mm

Length	63 mm
Housing type	Sleeve housings
Locking type	for single locking latch
Cable exit	Lateral
Type of the screw connection	1x M20
Degree of protection	IP65
Ambient temperature (operation)	-40 °C ... 125 °C
Housing material	Aluminum, die-cast
Housing surface material	Powder-coated, gray
Seal material	NBR

### Certificates / Approvals

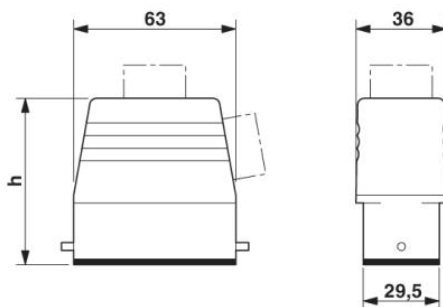


Certification

GOST

### Diagrams/Drawings

Dimensioned drawing



**Address**

PHOENIX CONTACT Inc., USA  
586 Fulling Mill Road  
Middletown, PA 17057, USA  
Phone (800) 888-7388  
Fax (717) 944-1625  
<http://www.phoenixcon.com>



© 2010 Phoenix Contact  
Technical modifications reserved;