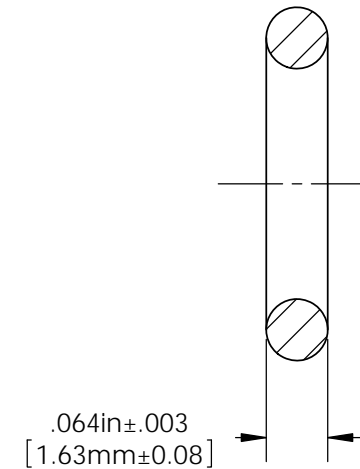
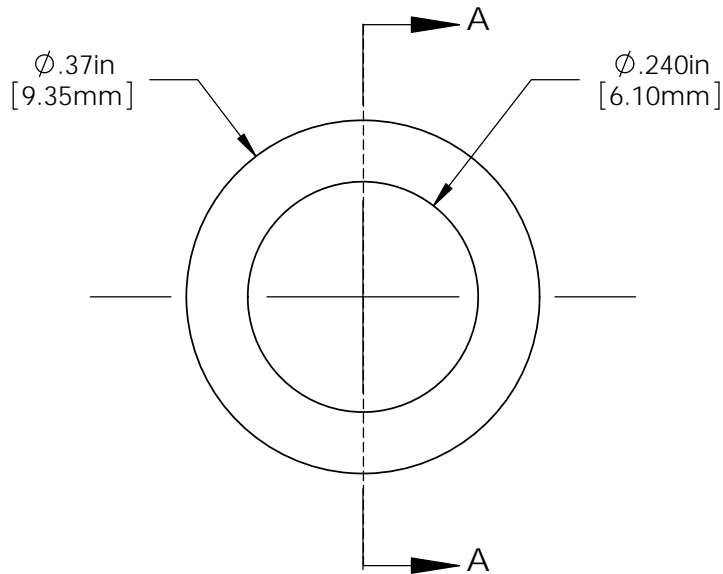


NOTES:

1. OPERATING TEMPERATURE: -65 °F TO +300 °F
2. FINISH: PARTS SHALL HAVE A SMOOTH APPEARANCE , WITH NO GATES AND ALL FLASH REMOVED
3. U.S. & FOREIGN PATENT ISSUED

REVISIONS					
ECN #	REV.	DESCRIPTION	DATE	INITIALS	CHK'D
	N/A	INITIAL RELEASE	7/12/01	JS	-
	1	CHG DUROMETER FROM 70 TO 60	9/27/02	JS	-
	001	REVISED PER ECR111009AZ01	2/12/10	KH	DPZ

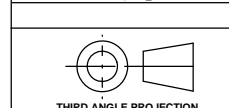


SECTION A-A



ISOMETRIC VIEW

DIMENSION STYLE: INCHES (MM) GENERAL TOLERANCES UNLESS OTHERWISE SPECIFIED	
	INCHES MM
X	± .020 ± .508
.XX	± .010 ± .254
.XXX	± .005 ± .127
ANGLE ± 1°	



PROPRIETARY AND CONFIDENTIAL
THE INFORMATION CONTAINED IN THIS DRAWING IS THE SOLE PROPERTY OF VISUAL COMMUNICATIONS COMPANY, INC. ANY REPRODUCTION IN PART OR AS A WHOLE WITHOUT THE WRITTEN PERMISSION OF VISUAL COMMUNICATIONS COMPANY, INC IS PROHIBITED.

APPROVAL	DATE
DRAWN KHOWARD	2/12/10
CHECKED DPZ	2/12/10

MATERIAL
(EPDM) ETHYLENE
PROPYLENE DIENE RUBBER,
60 DUROMETER, BLACK

FINISH
SEE NOTES

DO NOT SCALE DRAWING

VCCG OPTOELECTRONICS
190 BOSSTICK BLVD. SUITE 101 SAN MARCOS, CA 92069 U.S.A
PHONE: (760) 560-1300, FAX: (760) 560-1301 EMAIL: vcclite@vccsales.com

TITLE:
LENS SPACER SPC 060

SIZE	DWG. NO.	REV
A	SPC 060_E	001
SCALE: 5:1		SHEET 1 OF 1