

PICDEM™ HPC Explorer Board

Summary

The PICDEM HPC Explorer Board is the latest 64/80 TQFP demonstration board for evaluating Microchip Technology's PIC18F and PIC18FXXJXX families of devices. It comes populated with a PIC18F8722 MCU. Direct connection support is available for the MPLAB® ICE 2000 and MPLAB ICE 4000 processor modules, plug-in modules and MPLAB ICD 2 In-Circuit Programmer.

Software

The PIC18F8722 MCU is preprogrammed with demonstration software which displays information on the Windows® HyperTerminal program via the serial port.

Use the following settings:

- 57600 baud
- 8 data bits
- No Parity
- 1 Stop bit
- No Flow Control
- Autodetect terminal emulation

On power-up, PIC18F8722 will continuously display the LED states, potentiometer voltage, RB0 button state, temperature and relative time in minutes and seconds. NOTE: Pressing the RB0 button during power-up enables the bootloader. The LEDs can be toggled by pressing the 1 through 8 keys.

Additional Features

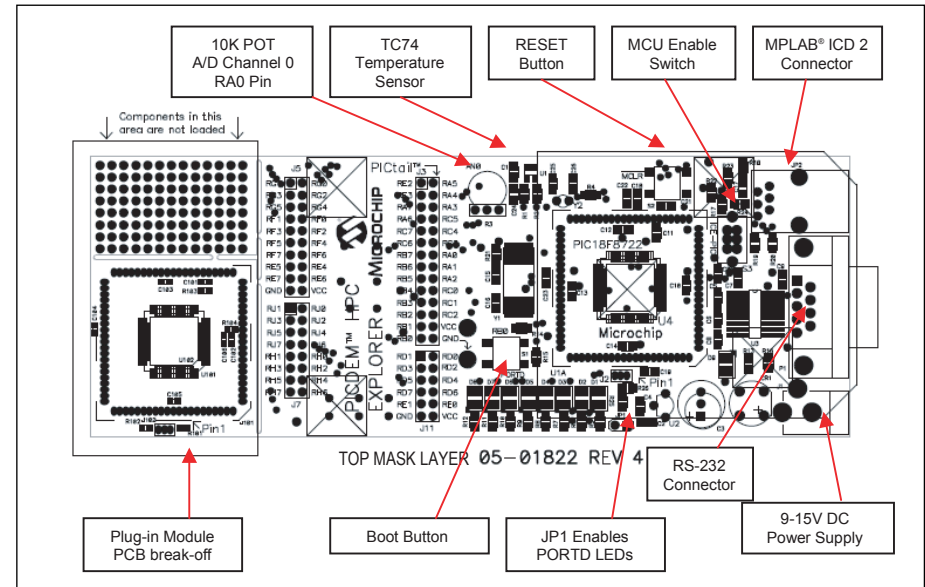
- PIC18F8722, 128K Flash, 80-pin TQFP microcontroller
- Full pin break-out for easy wire wrap/prototyping
- Daughter board and MPLAB ICE 2000/MPLAB ICE 4000 connector (with switch to disable on board processor)
- 10 MHz crystal oscillator (to be used with internal PLL to provide 40 MHz operation)
- Convenient connection for MPLAB ICD 2 (In-Circuit Debugger) for in-circuit programming and debugging
- Power supply connector and programmable voltage regulator, capable of operation from 2.0-5.5V (requires any standard 9-15V power supply, also available separately)
- Potentiometer (connected to 10-bit A/D, analog input channel)
- Temperature sensor demo included (illustrates Microchip's award winning TC74 device)
- 8 LEDs (connected to PORTD with jumper disable)
- RS-232 port (9-pin D type connector, UART1)
- Reset button
- Bootloader button
- Extended PICtail™ connector, to allow connection to standard and extended expansion boards
- Serial bootloader ready (see AN851)
- 32 KHz crystal for Real-time Clock demonstration

To obtain the most recent and complete documentation for this demonstration board, including:

- User's Guide
- Board Description
- Board Schematics
- Source Code
- Application Examples
- Links to Web Seminars

Please refer to the following web site: <http://www.microchip.com/HPCEXplorer>

PICDEM™ HPC Explorer Board Parts Placement Diagram (DM183022)



Americas

Atlanta (770) 640-0034
 Boston (978) 692-3848
 Chicago (630) 285-0071
 Dallas (972) 818-7423
 Detroit (248) 538-2250
 Kokomo (765) 864-8360
 Los Angeles (949) 462-9523
 Phoenix (480) 792-7200
 San Jose (650) 215-1444
 Toronto (905) 673-0699

Asia/Pacific

Australia - Sydney 61-2-9868-6733
 China - Beijing 86-10-8528-2100
 China - Chengdu 86-28-8676-6200
 China - Fuzhou 86-591-8750-3506
 China - Hong Kong SAR 852-2401-1200
 China - Qingdao 86-532-502-7355
 China - Shanghai 86-21-5407-5533
 China - Shenyang 86-24-2334-2829
 China - Shenzhen 86-755-8203-2660
 China - Shunde 86-757-2839-5507
 India - Bangalore 91-80-2229-0061
 India - New Delhi 91-11-5160-8632
 Japan - Kanagawa 81-45-471-6166
 Korea - Seoul 82-2-554-7200
 Singapore 65-6334-8870
 Taiwan - Hsinchu 886-3-572-9526
 Taiwan - Taipei 886-2-2500-6610
 Taiwan - Kaohsiung 886-7-536-4818

Europe

Austria - Weis 43-7242-2244-399
 Denmark - Ballerup 45-4420-9895
 France - Massy 33-1-69-53-63-20
 Germany - Ismaning 49-89-627-144-0
 Italy - Milan 39-0331-742611
 Netherlands - Drunen 31-416-690399
 England - Berkshire 44-118-921-5869

As of 2/10/05



Microchip Technology Inc. • 2355 West Chandler Blvd. • Chandler, AZ 85224-6199
www.microchip.com

The Microchip name and logo, the Microchip logo, MPLAB, PIC and PICmicro are registered trademarks of Microchip Technology Incorporated in the U.S.A. and other countries. In-Circuit Serial Programming, ICSP and PICtail are trademarks of Microchip Technology Incorporated in the U.S.A. and other countries. All other trademarks mentioned herein are property of their respective companies. © 2005, Microchip Technology Incorporated, Printed in the U.S.A. All Rights Reserved. 3/05

DS1540A

