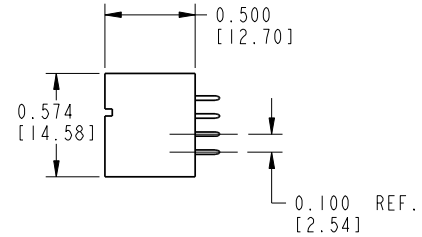
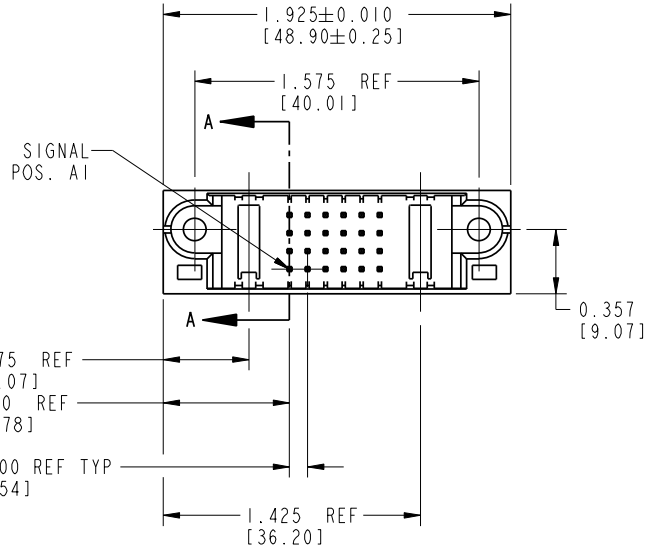
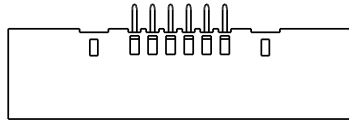


Tous droits strictement reserves. Reproduction ou communication a des tiers interdite sous quelque forme que ce soit sans autorisation écrite du propriétaire. Propriete de c FCI. Droits de reproduction FCI.

All rights strictly reserved. Reproduction or issue to third parties in any form without written authority from the proprietor. Property of FCI. Copyright FCI.

PRODUCT No.	ROWS	POWER	SIGNAL						POWER	PRINTING
		E1	P1	1	2	3	4	5	6	
51952-016-- NOTE 2	D C B A		X		X				NOT REQUIRED	



CODE	DIM "M" ±.010 [0.25]	CONTACT TYPE
E	0.270 [6.86]	SIGNAL
H	0.220 [5.59]	SIGNAL
X	N/A	POWER

mat'l code		NOTE 1		tolerances unless otherwise specified		CUSTOMER		FCI www.fciconnect.com	
lir	ecn no.	dr	date	linear	.XX±.01/0.X±0.3	COPY		title IP + 24S + 1P	
A	V03-0034	TAB	01/09/03		.XXX±.005/0.XX±0.13	projection		VERTICAL SOLDER HEADER	
B	V03-1208	DA1	11/10/03	angles	.XXX±.002/0.XXX±0.051			product family PwrBlade code 213	
C	DG05-0478	Ryan	11/18/05	dr	0°±2°	INCH/MM		size dwg no	
				engr	T. BRUNGARD 01/09/03	scale 1:1		A 51952-016	
				chr	M. MOSTOLLER 01/09/03			sheet 1 of 3	
				appd	M. MOSTOLLER 01/09/03				
sheet index	revision sheet	C	C						
		1	2						

cage code 22526

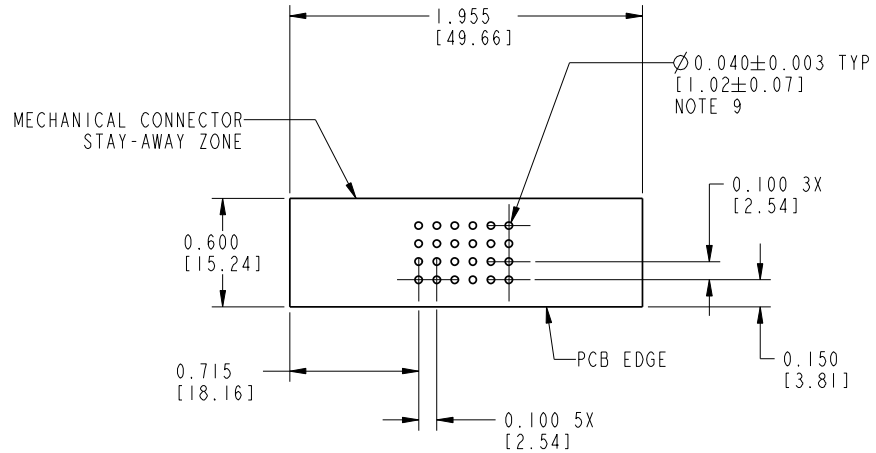
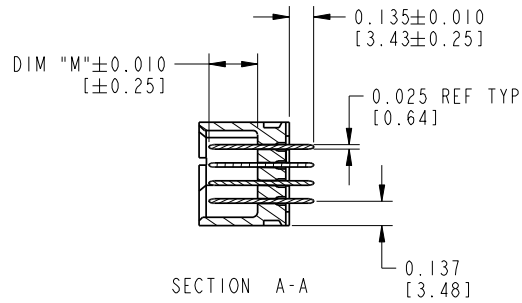
Pro/E

Tous droits strictement reserves. Reproduction ou communication a des tiers interdite sous quelque forme que ce soit sans autorisation écrite du propriétaire. Propriete de c FCI. Droits de reproduction FCI.

FCI

All rights strictly reserved. Reproduction or issue to third parties in any form whatever is not permitted without written authority from the proprietor. Property of FCI. Copyright FCI.

PRODUCT NUMBER
51952-016--
NOTE 2



RECOMMENDED PCB LAYOUT

mat'l code				SEE NOTE 1	tolerances unless otherwise specified	CUSTOMER	FCI		www.fciconnect.com
lir	ecr no.	dr	date	linear	.XX±.01/0.X±0.3	COPY	projection	title	
c					.XXX±.005/0.XX±0.13			IP + 24S + 1P	
				angles	.XXX±.002/0.XXX±0.051			VERTICAL SOLDER HEADER	
				dr	0° ± 2°	T. BRUNGARD 01/09/03	INCH/MM	product family	PwrBlade
				engr		M. MOSTOLLER 01/09/03	scale	size	213
				chr		M. MOSTOLLER 01/09/03	1:1	dwg no	sheet
				appd		M. MOSTOLLER 01/09/03		51952-016	2 of 3
sheet index	revision sheet								

cage code 22526

Pro/E

Tous droits strictement reserves. Reproduction ou communication a des tiers interdite sous quelque forme que ce soit sans autorisation écrite du propriétaire. Propriete de c FCI. Droits de reproduction FCI.



All rights strictly reserved. Reproduction or issue to third parties in any form without is not permitted without written authority from the proprietor. Property of FCI. Copyright FCI.

1 | 2

3 |

4

PRODUCT NUMBER
51952-016__
NOTE 2

CONNECTOR NOTES:

1. HOUSING MATERIAL: UL 94 V-0 GLASS FILLED HIGH TEMP THERMOPLASTIC
 POWER CONTACT MATERIAL: COPPER ALLOY
 SIGNAL CONTACT MATERIAL: COPPER ALLOY

2. PLATING:

51952-016: SIGNAL PIN: 30u"/0.76um Au OVER 50u"/1.27um Ni ON THE CONTACT AREA
 AND 100u"/2.54um SnPb OVER 50u"/1.27um Ni ON THE TERMINATION AREA
 POWER PIN: 30u"/0.76um Au OVER 50u"/1.27um Ni ON THE CONTACT AREA
 AND 100u"/2.54um SnPb OVER 50u"/1.27um Ni ON THE TERMINATION AREA

51952-016LF: SIGNAL PIN: 30u"/0.76um Au OVER 50u"/1.27um Ni ON THE CONTACT AREA
 AND 78u"/2.00um Sn OVER 50u"/1.27um Ni ON THE TERMINATION AREA
 POWER PIN: 30u"/0.76um Au OVER 50u"/1.27um Ni ON THE CONTACT AREA
 AND 78u"/2.00um Sn OVER 50u"/1.27um Ni ON THE TERMINATION AREA

PART NUMBER 51952-016LF MEETS EUROPEAN UNION DIRECTIVE AND OTHER COUNTRY REGULATIONS AS DESCRIBED IN GS-22-008.

THE HOUSING WILL WITHSTAND EXPOSURE TO 260° PEAK TEMPERATURE FOR 10 SECONDS IN A WAVE SOLDER APPLICATION WITH A CIRCUIT BOARD.

3. PACKAGED IN TRAYS.

4. PRODUCT SPECIFICATION GS-12-149

5. ALL DIMENSIONS AND TOLERANCES ARE IN ACCORDANCE WITH ASME Y14.5M, UNLESS OTHERWISE SPECIFIED.

PCB NOTES:

6. ALL DIMENSIONS ARE BASIC UNLESS OTHERWISE SPECIFIED.

7. ALL THROUGH HOLES ARE LOCATED WITH A TRUE POSITION OF 0.004 [0.10]

8. ALL HOLE DIAMETERS ARE FINISHED HOLE SIZE

9. $\varnothing 0.0453 \pm 0.0010$ [1.151 \pm 0.025] DRILLED HOLES PLATED WITH 0.0003 [0.008] MIN SnPb OVER 0.001 [0.03] TO 0.003 [0.08] Cu PLATING TO ACHIEVE A $\varnothing 0.040 \pm 0.003$ [1.02 \pm 0.07] HOLE.

A

A

B

B

CONFIDENTIAL

mat'l code		NOTE 1		tolerances unless otherwise specified		CUSTOMER		A FCI		www.fciconnect.com	
lfr	ecr no.	dr	date	linear	.XX±.01/0.X±0.3	COPY		projection	title IP + 24S + 1P VERTICAL SOLDER HEADER		
c				angles	.XXX±.005/0.XX±0.13 .XXX±.0020/0.XXX±0.051	INCH/MM		product family PwrBlade		code 213	
				dr	0° ± 2°	scale 1:1		size A		dwg no 51952-016	
				enrg	T. BRUNGARD 01/09/03					sheet 3 of 3	
				chr	M. MOSTOLLER 01/09/03						
				appd	M. MOSTOLLER 01/09/03						
sheet index	revision sheet										

1 | 2

Pro/E

3 |

cage code 22526

4