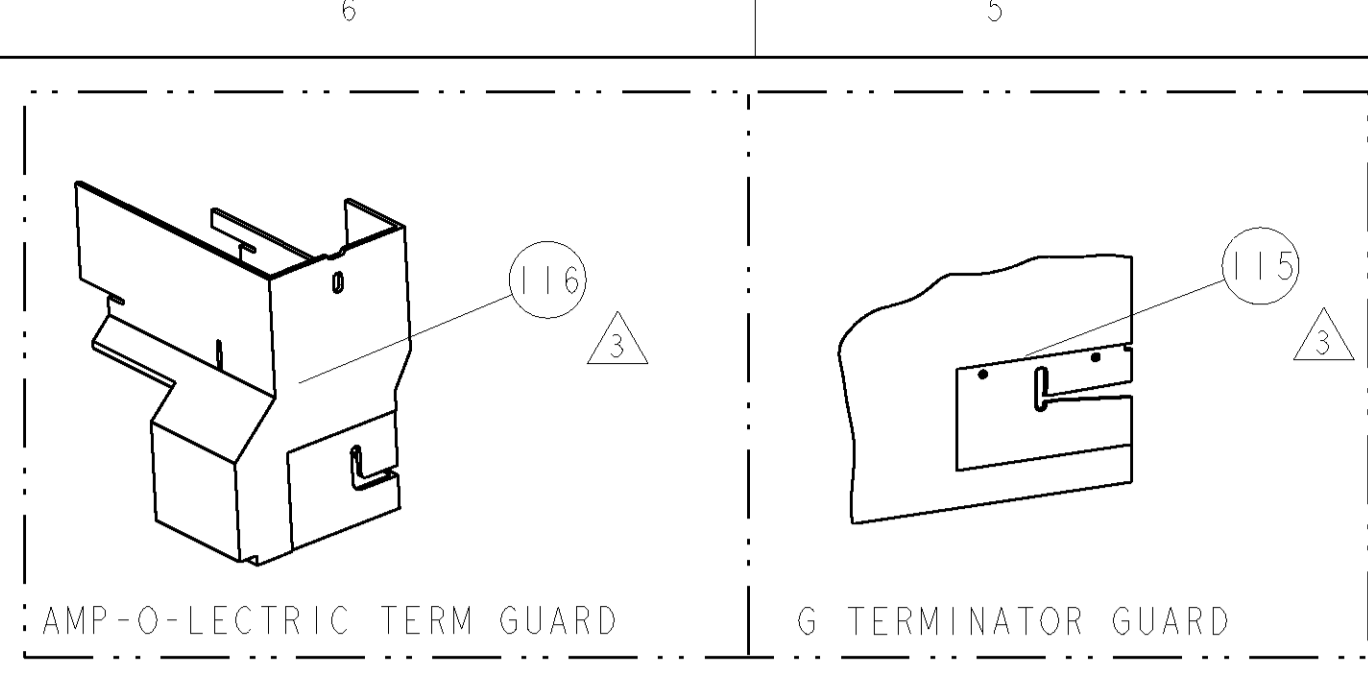


PART NUMBER	REV	FIRST USED	POWER UNIT	FEED TYPE	DESCRIPTION
1855265-1	A	122500-1	LEADMAKER	POST FEED	CUTS CARRIER
1855265-2	A	565435-5	BENCH MODEL K	PRE FEED	CUTS CARRIER
1855265-3	A	354500-1	BENCH MODEL G	PRE FEED	CUTS CARRIER
1855265-6	A	122500-1	LEADMAKER	POST FEED	CONTINUOUS CARRIER
7-1855265-7	A	-	-	-	SPARE PARTS

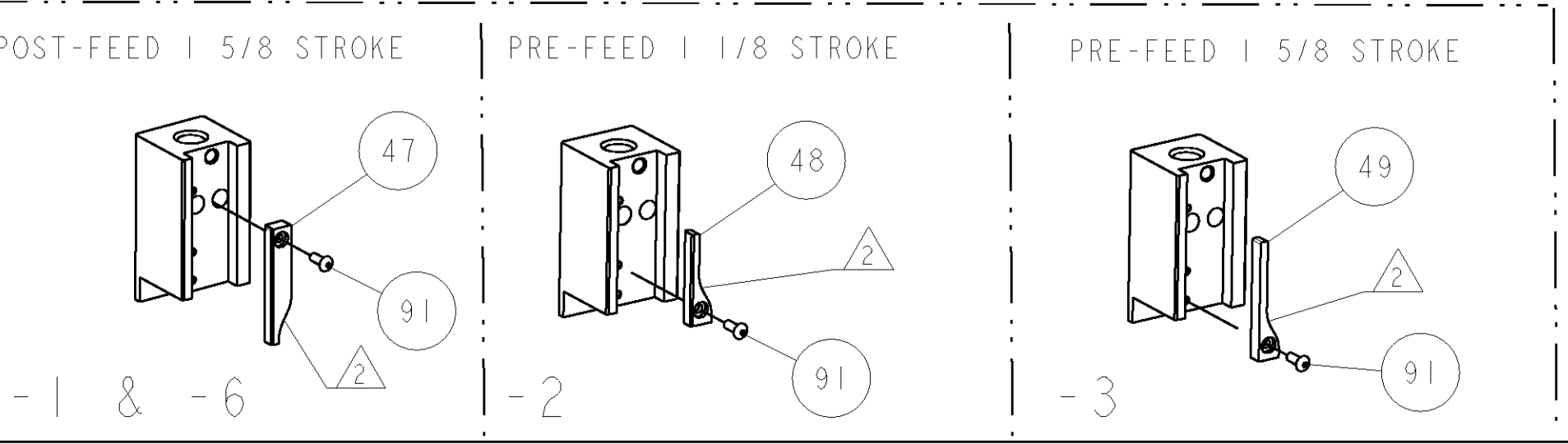
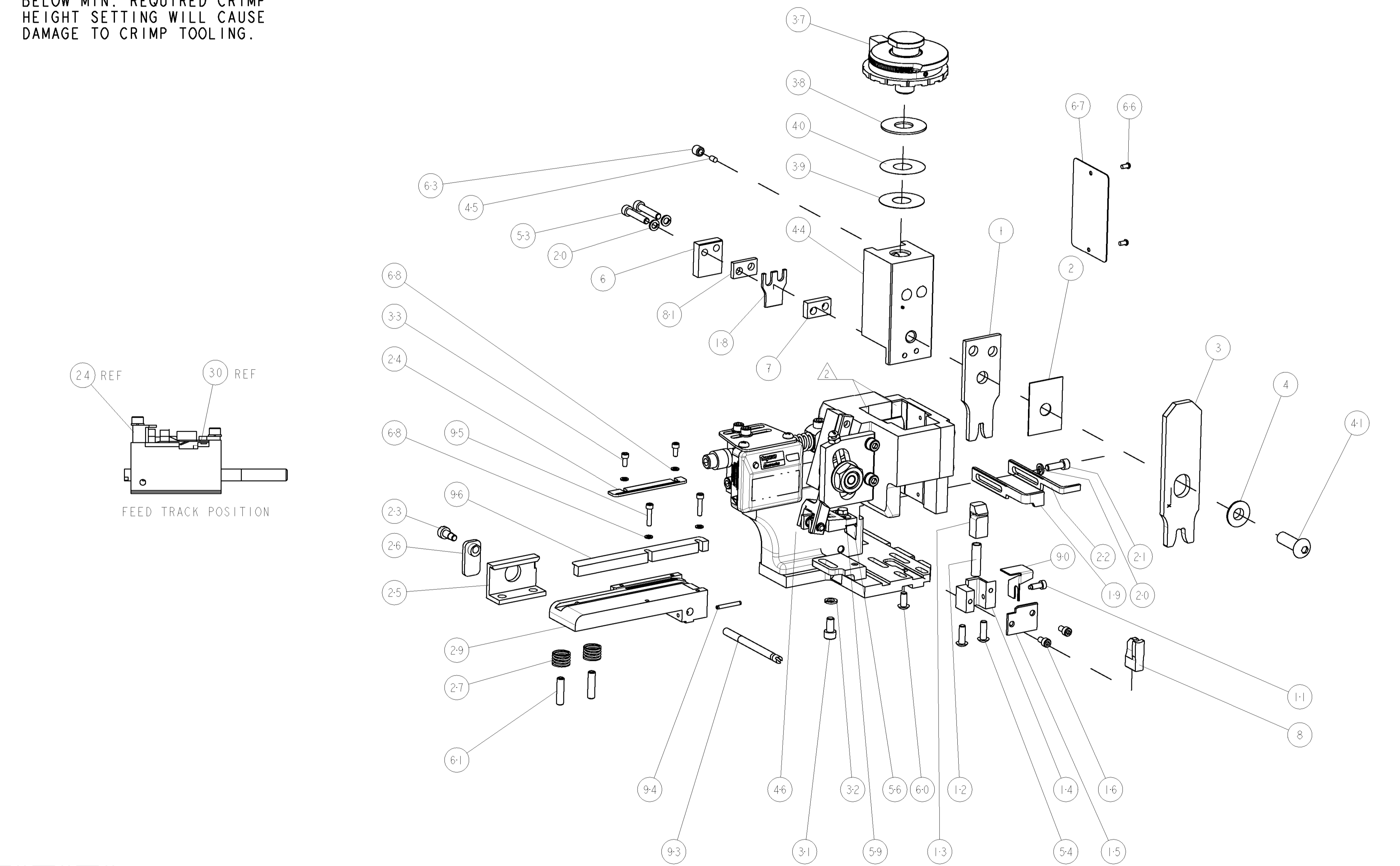


TYCO PN		MFR PN	PACKARD TERMINAL - TYCO CRIMP SPECS		REF SETTING
1949344-1	-	12010601	CRIMP HEIGHT	WIRE SIZE	A4
-	-	-	2.46±0.05mm [.097±.002]	(2) 2mm2	
-	-	-	2.21±0.05mm [.087±.002]	(1) 2mm2+(1) 1mm2	C2
-	-	-	1.93±0.05mm [.076±.002]	(1) 1mm2+(1) 0.8mm2	E3
-	-	-	1.88±0.05mm [.074±.002]	(2) 0.8mm2	E9
CRIMP	SIZE	TYPE	RANGE		
-	.140 [3.56mm]	F	0.8mm-2.0mm		
-	.280 [7.11mm]	F	∅.140 MAX		
WIRE STRIP LENGTH	TERM APPL SPEC	FEED	APPLICATOR INSTRUCTIONS	SET UP GAGE	
3.56mm-4.75mm	NONE	.800	408-8040	458637-1	

LOC	DIST	REV	DESCRIPTION	DATE	DWN	APVD
A	66		RELEASED	27APR2007	BH	BH

- △ RECOMMENDED SPARE PARTS
- △ GREASE LIGHTLY
- △ GUARD MUST BE IN PLACE WHEN OPERATING APPLICATOR IN A BENCH MACHINE
- △ CUT TO LENGTH AT ASSEMBLY.

*** WARNING**
ON INSTALLATION, SET WIRE DISC TO LARGEST WIRE SIZE SETTING. USE OF SETTINGS BELOW MIN. REQUIRED CRIMP HEIGHT SETTING WILL CAUSE DAMAGE TO CRIMP TOOLING.



QTY	REF	DESCRIPTION	ITEM NO	
-	-	455749-1	GUARD WINDOW	116
-	REF	679532-1	INSERT, GUARD	115
-	1	2-189124-1	GUIDE, FRONT STRIP	96
-	2	1-21000-5	SCR, SKT HD CAP 4-40 X .500	95
-	1	4-21028-0	PIN, SLOTTED SPRING .094 X .750	94
-	1	690432-3	ADJUSTMENT SCREW	93
-	1	1-21002-7	SCR, BTN SKT HD CAP 6-32 X .375	91
-	1	691668-1	GUARD, REAR CHIP	90
-	1	240641-5	SPACER	81
-	1	4088040	SF APPL INST 408-8040	72
-	1	217238-1	GENERAL INSTRUCTION PKG	71
-	4	21024-2	WASHER, SPRG LOCK, REG NO 4	68
-	1	461264-5	PLATE, IDENTIFICATION	67
-	2	21017-2	SCREW, DRIVE	66
-	1	21009-2	SCR, SET, SELF LOCKING 1/4-20 X .250	63
-	2	5-21006-6	SCR, SET, CUP POINT 10-32 X .750	61
-	1	22733-8	SCR, BHSC, SELF-LOCKING, 8-32 X .375	60
-	1	2-22603-0	SCREW, MACH, HEX HD, 8-32 X .312	59
-	1	694433-2	FEED PAWL	56
-	2	2-21002-2	SCR, BTN SKT HD CAP 8-32 X .500	54
-	2	3-21000-0	SCR, SKT HD CAP 8-32 X .875	53
-	1	690602-6	CAM, PRE FEED, 1 5/8	49
-	1	690602-5	CAM, PRE FEED, 1 1/8	48
-	1	690501-4	CAM, POST FEED, 1 5/8	47
-	1	459456-1	APPL. BASIC SUB ASSY (SIDE WISE MOCA)	46
-	1	690191-1	PLUG, NYLON	45
-	1	1-455673-4	RAM, SIDE FEED	44
-	1	7-21002-9	SCR, BTN SKT HD CAP 5/16-24 X 1.00	41
-	1	469367-4	SHIM	40
-	1	690125-1	SHIM SUB-ASSY	39
-	1	1-469367-1	SHIM	38
-	1	879103-3	FINE ADJUST HEAD ASSEMBLY	37
-	2	1-21000-3	SCR, SKT HD CAP 4-40 X .250	33
-	1	21024-5	WASHER, SPRG LOCK, REG NO 10	32
-	1	3-21000-4	SCR, SKT HD CAP 10-32 X .375	31
-	1	1-844048-1	PLATE, REAR STRIP GUIDE	29
-	2	1-22284-0	SPRING, COMPRESSION	27
-	1	240793-1	LEVER, DRAG RELEASE	26
-	1	240792-1	DRAG, TERMINAL	25
-	1	690438-2	FRONT STRIP GUIDE	24
-	1	22353-8	SCR, SHLD, SLOT HD, 3/16 DIA	23
-	1	690472-2	STRIPPER	22
-	1	2-21000-7	SCR, SKT HD CAP 8-32 X .500	21
-	4	21024-4	WASHER, SPRG LOCK, REG NO 8	20
-	1	691353-1	STRIPPER	19
-	1	690518-4	HOLD DOWN, TERMINAL	18
-	2	1-21000-8	SCR, SKT HD CAP 6-32 X .250	16
-	1	690464-4	SHEAR PLATE, REAR	15
-	1	690462-1	SHEAR HOLDER, REAR	14
-	1	690463-2	FLOATING SHEAR, REAR	13
-	1	3-22280-3	SPRING, COMPRESSION	12
-	1	690461-1	STOP, SHEAR	11
-	1	1-1633332-1	ANVIL, COMBINATION	8
-	1	2-240641-9	SPACER	7
-	1	690468-1	DEPRESSOR SHEAR, REAR	6
-	1	3-238009-8	BLOCK, FL CRIMPER SPACER	4
-	1	7-683453-2	CRIMPER, INSULATION PREMIUM	3
-	1	455888-5	SPACER, CRIMPER	2
-	1	1-456411-5	CRIMPER, WIRE PREMIUM	1

QTY	REF	DESCRIPTION	ITEM NO					
-77	-6	-3	-2	-1	U/M	PART NO	DESCRIPTION	ITEM NO