

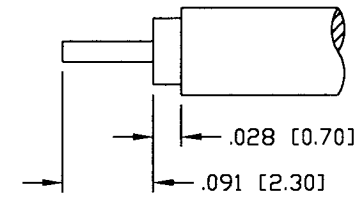
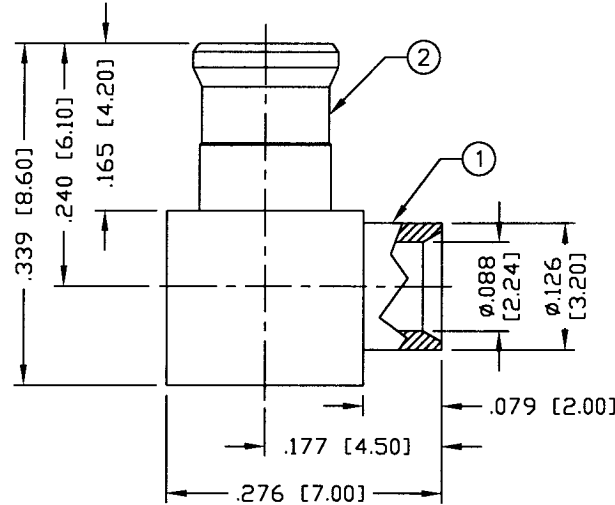
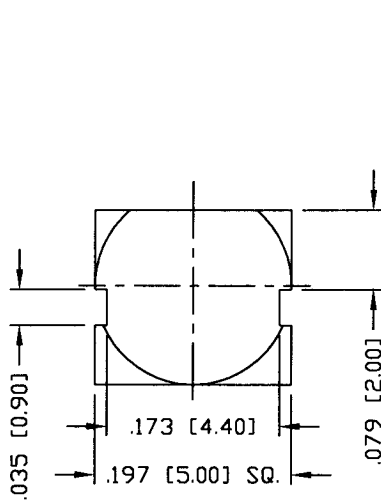
THIS DRAWING CONTAINS INFORMATION PROPRIETARY TO RF INDUSTRIES.
 ANY UNAUTHORIZED USE OF THIS DRAWING IS EXPRESSLY PROHIBITED
 WITHOUT WRITTEN PERMISSION FROM RF INDUSTRIES.
 ANY VIOLATION IS PUNISHABLE UNDER U.S. COPYRIGHT LAWS.

ALL DIMENSIONS ARE REFERENCE ONLY

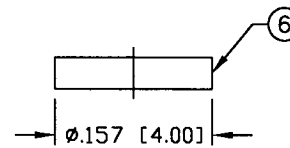
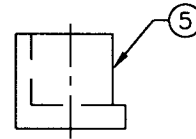
PART NO.

RMX-8010-1SR1

REV	DESCRIPTION	DWN	DATE	APPROVED
-	ENGINEERING RELEASE	CZS	8/24/99	JDMc



RECOMMENDED CABLE STRIP DIMENSIONS



SPECIFICATIONS:

IMPEDANCE: 50 Ohms
 FREQUENCY RANGE: 0-6 GHz
 WORKING VOLTAGE: 335 V rms @ sea level
 TEMPERATURE RANGE: -65°C TO 165°C
 INSULATION RESISTANCE: 1k M Ohms min.
 FOR .085 SEMI RIGID, RG-405/U & BELDEN 1671A CABLE

1	BODY	1	BRASS	GOLD, 3μ"	008974	UNLESS OTHERWISE SPECIFIED:
2	MCX BODY	1	BeCu	GOLD, 3μ"		
3	INSULATOR	1	PTFE	---		
4	PIN	1	BRASS	GOLD, 30μ"		
5	INSULATOR	1	DELRIN	---		
6	PRESS COVER	1	BRASS	GOLD, 3μ"		
7						
8						
9						
10					DRAWN	11/20/03
11					C. ZUNIGA	
12					CHECKED <i>JDM</i>	
13					ORJ DRAWN	
14					C. ZUNIGA	11/20/03
#	DESCRIPTION	QTY	MATERIAL	FINISH	APPROVALS	DATE

UNLESS OTHERWISE SPECIFIED:

DIMENSIONS ARE IN INCHES AND [MILLIMETERS]
 UNLESS OTHERWISE NOTED TOLERANCES ARE:

DECIMALS	DIAMETER
----------	----------

RF connectors
 DIVISION OF RF INDUSTRIES, LTD.

7610 MIRAMAR RD
 SAN DIEGO, CA 92126
 (858) 549-6340
 (858) 549-6345 FAX

MCX PLUG

RIGHT ANGLE, SOLDER

SIZE	CABLE GROUP	DWG NO.	REV
A	SR1	RMX-8010-1SR1	—
SCALE: NTS		CAD FILE OUTLINE	SHEET 1 OF 1