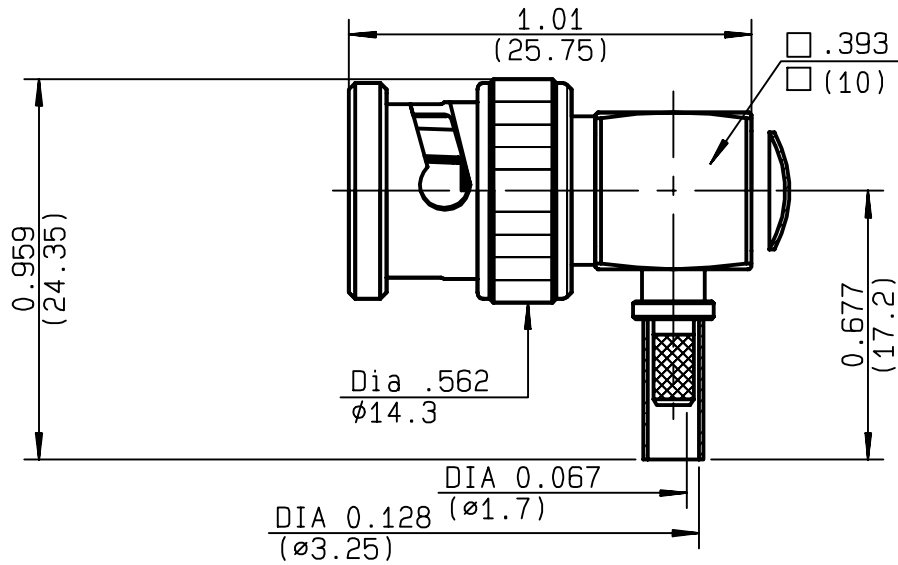


**RIGHT ANGLE PLUG CRIMP TYPE
CABLE 2.6/50 S - PACK 100**

R141.181.161
SERIES BNC-COM



NOMINAL IMPEDANCE	50 Ω	CABLES : KX 22A
FREQUENCY RANGE	0-1.5 GHz	RG 188
TEMPERATURE RATING	-35/+70 °C	RG 316
V.S.W.R	1.35 + x F(GHz)Maxi	
RF INSERTION LOSS	0.175 √F(GHz) dB Maxi	
VOLTAGE RATING	500 Veff Maxi	
DIELECTRIC WITHSTANDING VOLTAGE	1500 Veff Mini	
INSULATION RESISTANCE	5000 MΩMini	OTHERS CHARACTERISTICS
HERMETIC SEAL	NA Atm.cm ³ /s	CABLE RETENTION
LEAKAGE (pressurized only)	NA	40 N Mini
MECHANICAL DURABILITY	100 Cycles	CENTER CONTACT RETENTION
WEIGHT	13.5 gr	Axial force - mating end
SPECIFICATION		15 N Mini
		Axial force - opposite end
		15 N Mini
		Torque
		NA cm.N Mini
		RECOMMENDED TORQUES
		Mating
		NA cm.N
		Panel nut
		NA cm.N
		Clamp nut
		NA cm.N

CONNECTOR PARTS	MATERIALS	FINISH	(all values are given) in micrometers
BODY	BRASS	NICKEL 2	
OUTER CONTACT			
CENTER CONTACT	BRASS	GOLD 0.2 OVER NICKEL 2	
INSULATOR	WHITE POLYPROPYLENE	-	
GASKET	SILICONE RUBBER	-	
OTHERS PIECES			

ISSUE	CREATION DATE	FILE PART-NUMBER
9910B01	31/05/1990	90-1200-030



LELEU

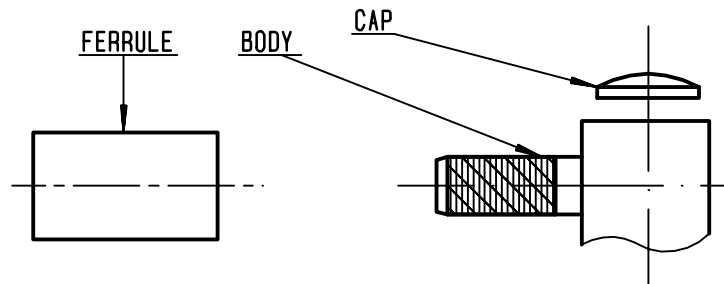
The information given here is subject to change without notice.
Design changes may be in order to improve the product .

Connect to the future



R141.181.161

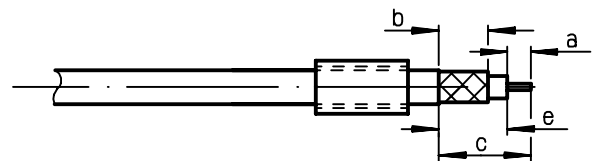
ISSUE **9910B01** SERIES **BNC-COM**



①

Slide onto the cable the ferrule .
Strip the cable .

-
-

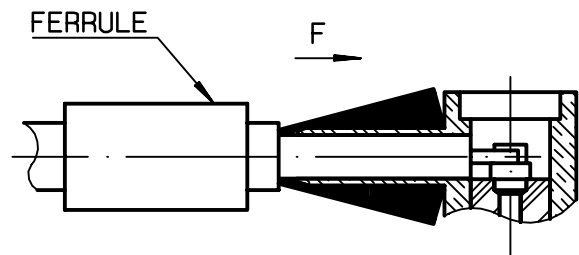


Stripping	a	b	c	d	e
inch	0.098	0.256	0.63	0	0.531
mm	2.5	6.5	16		13.5

②

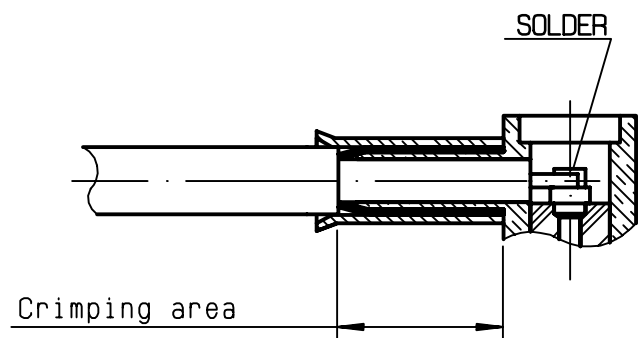
Fan the braid .
Push connector body under the braid .
Slide the ferrule on the braid
(in direction F)

-
-



③

Crimp the ferrule with crimping tool
R282 211 000 (Hex. : .128) or
crimping tool R 282 293 000 (M22520/5-01)
+ dies R 282 235 003 (M22520/5-03)
Solder inner conductor .



④

Place the cap .
Press cap flush or slightly below surface
of body assembly .

-
-
-
-
-

