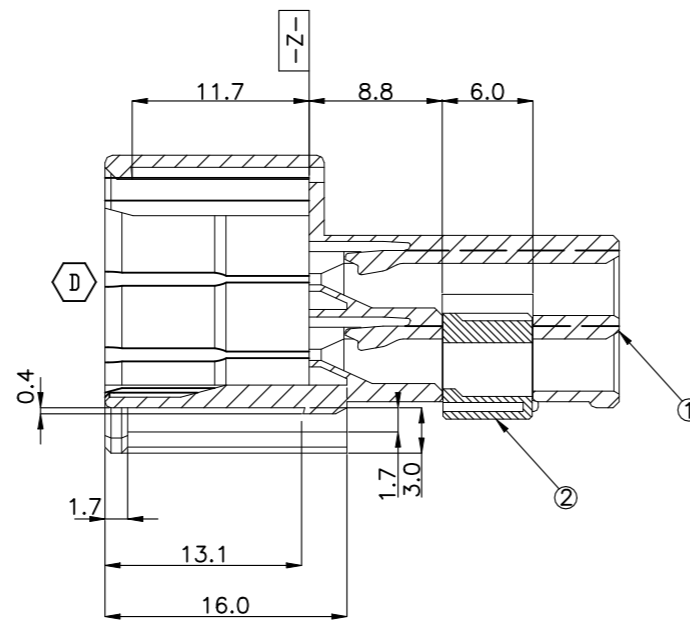
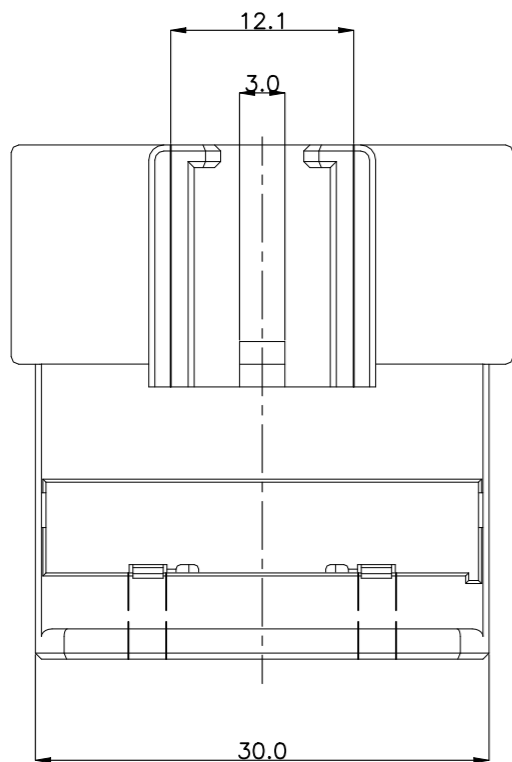
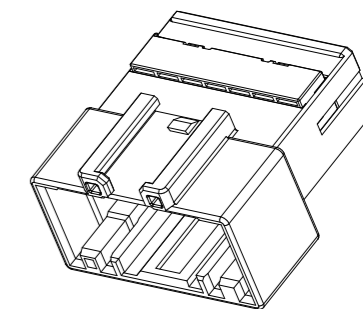
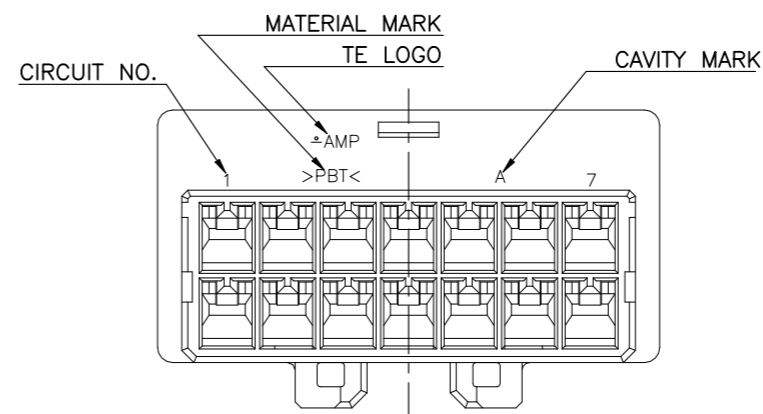
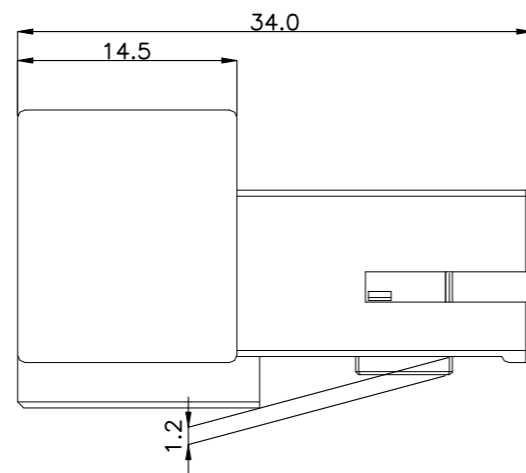
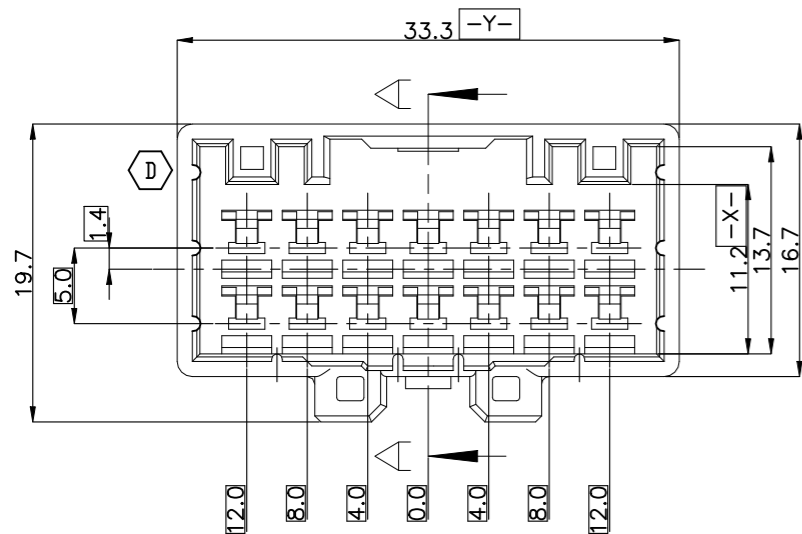


REVISIONS

P	LTR	DESCRIPTION	DATE	DWN	APVD
	D2	REVISED(ECR-22-135846)	13APR2022	HG	YJ



SECTION A-A

NOTES.

1. THE MATING HSG. P/N ; 936199
2. APPLIED CONTACT P/N ; 090 II TAB.- 368086,368087,368088,1897752

-추가-

1. 상대 하우징 P/N. ; 936199
2. 적용단자 P/N. : 090 II TAB.- 368086,368087,368088,1897752

OBSOLETE

ASSY P/N	QTY
0-936209-8	1
0-936209-7	1
0-936209-6	1
0-936209-5	1
0-936209-4	1
0-936209-3	1
0-936209-2	1
0-936209-1	1

NO	COLOR	MATERIAL	DESCRIPTION	P/N	QTY
1	BLUE	PBT	CAP	0-936210-8	1
	GREEN	PBT	CAP	0-936210-7	1
	RED	PBT	CAP	0-936210-6	1
	YELLOW	PBT	CAP	0-936210-5	1
	BROWN	PBT	CAP	0-936210-4	1
	D/GRAY	PBT	CAP	0-936210-3	1
	BLACK	PBT	CAP	0-936210-2	1
	NATURAL	PBT	CAP	0-936210-1	1
2	NATURAL	PBT	DBL	0-936198-1	1 1 1 1 1 1 1 1

THIS DRAWING IS A CONTROLLED DOCUMENT.

DIMENSIONS: mm	TOLERANCES UNLESS OTHERWISE SPECIFIED: 0 PLC ± - 1 PLC ± - 2 PLC ± - 3 PLC ± - 4 PLC ± - ANGLES ± -
MATERIAL SEE TABLE	FINISH -

TOLERANCES UNLESS OTHERWISE SPECIFIED:

0 <XX<10	± 0.2
10<XX<30	± 0.25
30<XX	± 0.3
ANGLES	± 3°

DWN: KT JUNG
CHK: JW JUNG
APVD: HG CHO
PRODUCT SPEC: 090III 14P CAP ASS'Y
APPLICATION SPEC: -
WEIGHT: 0

STE TE Connectivity

SIZE: A3 CAGE CODE: 00779 DRAWING NO: C-936209 RESTRICTED TO: -

CUSTOMER DRAWING SCALE: 1:1 SHEET: 1 OF 1 REV: D2