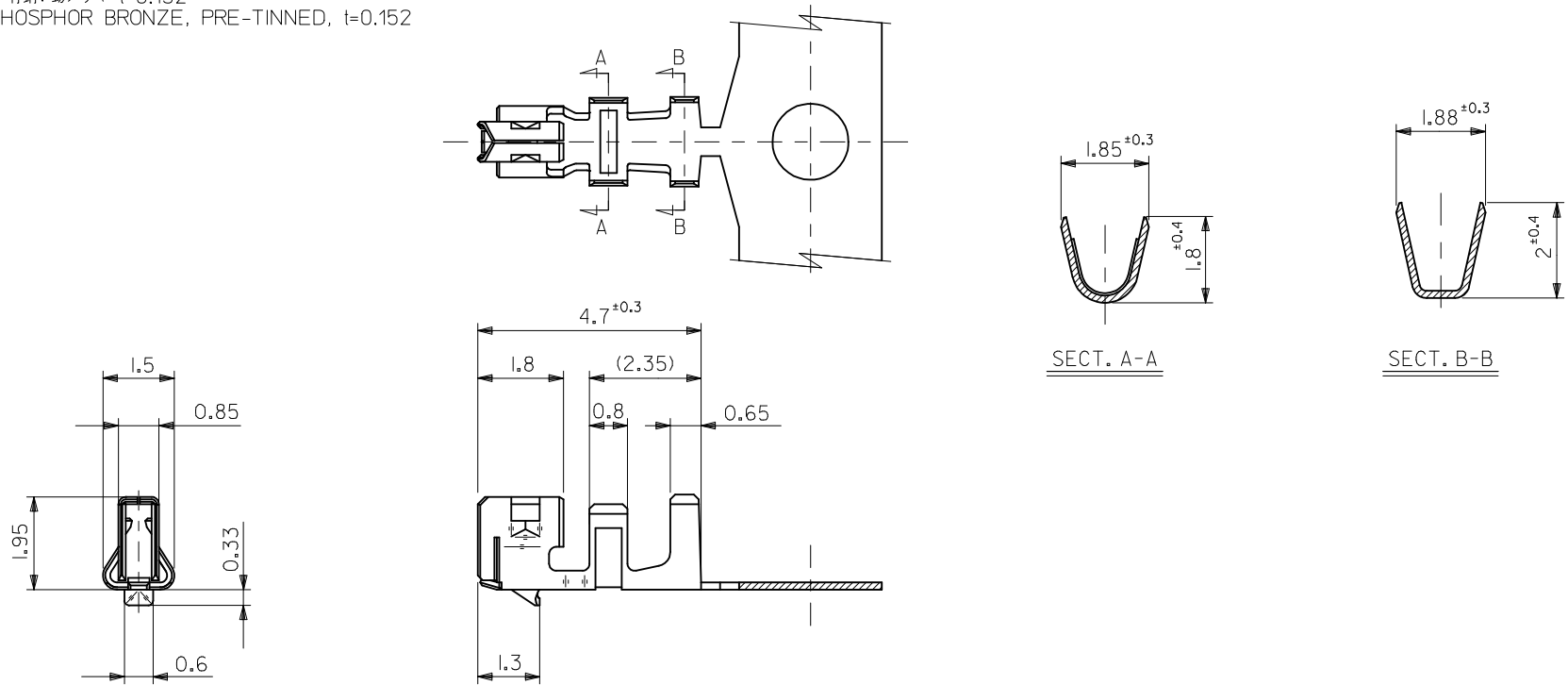


注記
NOTES

適用ハウジング: 51089 , 51090 , 51065 シリーズ
 APPLICABLE HOUSING : 51089 , 51090 , 51065 SERIES

材質 MATERIAL
 リン青銅、錫メッキ t=0.152
 PHOSPHOR BRONZE, PRE-TINNED, t=0.152



| | |
|------------|-----------|
| 50372-8100 | バラ状 LOOSE |
| 50372-8000 | 連鎖状 CHAIN |
| ENG.NO. | 端子形状 FORM |

| | | | | | | |
|---|---------------------------------------|---|----------------------------|--------------------|--|------------------------|
| RELEASED EC NO: J2014-0578 DRWN: YWAKE 2013/09/27 CHKD: KASAKAWA 2013/09/27 APPR: NUKITA 2013/10/02 | GENERAL TOLERANCES (UNLESS SPECIFIED) | | DIMENSION STYLE MM ONLY | SCALE 10:1 | DESIGN UNITS METRIC | THIRD ANGLE PROJECTION |
| | 10 UNDER | ± 0.2 | DRAWN BY YWAKE | DATE 2013/09/27 | TITLE NEW 2.0 W/B CONN. CRIMP RECEPTACLE | |
| | 10 OVER 30 UNDER | ± 0.25 | CHECKED BY KASAKAWA | DATE 2013/09/27 | | |
| | 30 OVER | ± 3 | APPROVED BY NUKITA | DATE 2013/10/02 | | |
| ANGULAR | ± 3 ° | MATERIAL NO. | | DOCUMENT NO. | SHEET NO. | |
| DRAFT WHERE APPLICABLE MUST REMAIN WITHIN DIMENSIONS | | SEE CHART | | SD-50372-001 | | 1 OF 1 |
| SIZE A3 | | THIS DRAWING CONTAINS INFORMATION THAT IS PROPRIETARY TO MOLEX INCORPORATED AND SHOULD NOT BE USED WITHOUT WRITTEN PERMISSION | | | | |

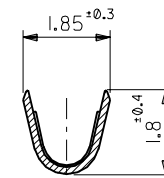
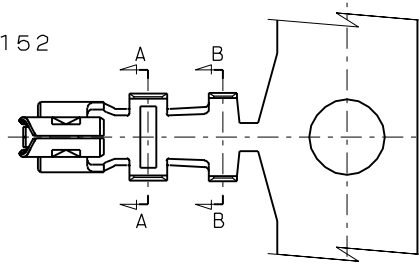
DWG. NO.
SD-50372-8*00

注記
NOTES

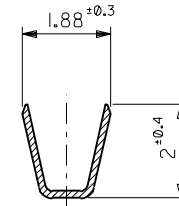
★ 1. 適用ハウジング : 51089-***05, 51090-***00
 APPLICABLE HOUSING : 51089-***05, 51090-***00

2. 材質 MATERIAL

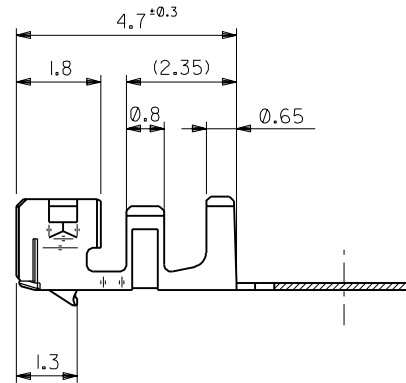
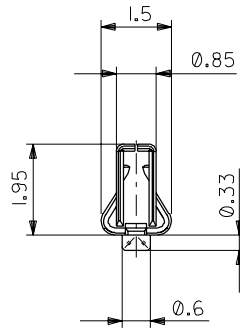
リン青銅, 錫メッキ t=0.152
 PHOSPHOR BRONZE, PRE-TINNED, t=0.152



SECT. A-A



SECT. B-B



| | |
|------------|-----------|
| 50372-8100 | バラ状 LOOSE |
| 50372-8000 | 連鎖状 CHAIN |
| ENG.NO. | 端子形状 FORM |

| | | | |
|----------------------------------|--|---|--|
| 材料 MATERIAL 注記参照 SEE NOTES | | molex MOLEX-JAPAN CO.,LTD. 日本モレックス株式会社 | |
| 仕上げ FINISH 注記参照 SEE NOTES | | REVISE ONLY ON CAD SYSTEM | |
| 適用電線範囲 WIRE RANGE AWG #22~#26 | | TITLE 名称 NEW 2.0 WIRE TO BOARD CONN. CRIMP RECEPTACLE | |
| 被覆外径 INS. RANGE φ 1.4MAX. | | DWG. NO. SD-50372-8*00 | |
| DRAWN BY '92/9/3 M.FUJIKURA | | CHK'D BY '92/9/4 M.FUJIKURA | |
| APP'D BY '92/9/4 M.FUJIKURA | | 尺度 SCALE 10:1 | |
| 角 度 ANGLE ±3° | | DR. 日付 DATE | |
| 30 以上 OVER ±0.3 | | DR. 日付 DATE | |
| 10 以上 30 未満 OVER UNDER ±0.25 | | DR. 日付 DATE | |
| 10 未満 UNDER ±0.2 | | DR. 日付 DATE | |
| 一般公差 GENERAL TOLERANCES | | 記号 LTR | |
| 新規作成 (J2080) RELEASED | | 変更内容 REVISION RECORD | |
| 0 | | DR. 日付 DATE | |

DIMENSIONS IN METRIC DO NOT SCALE DRAWING

50372.S03