



CONNECT AND PROTECT

Plug-in Units


nvent

SCHROFF

Plug-in units – Plug-in units

OVERVIEW

MAIN KATALOG

- Cabinets 1
- Wall mounted cases 2
- Accessories for cabinets and wall mounted cases . . 3
- Climate control . . 4
- Electronics cases 5
- Subracks/ 19" chassis 6
- Front panels, plug-in units 7
- Systems 8
- Power supply units 9
- Backplanes 10
- Connectors, front panel component system 11
- Appendix 12



04612001

PLUG-IN UNITS AS KITS OR FROM INDIVIDUAL PARTS

- Handles in different designs for various applications
- Inserter/extractor handles for forces up to 1500 N
- Upgradable EMC shielding










STANDARDS

- IEC 60297-3-101 / IEEE 1101.1/11
- IEC 60297-3-102 / IEEE 1101.10
- IEC 60297-3-103
- IEC 1296

SERVICEPLUS

- e.g. individual configuration and assembly**
- e.g. modifications (special colours or sizes)**
- e.g. custom solutions with modification to the plug-in units**

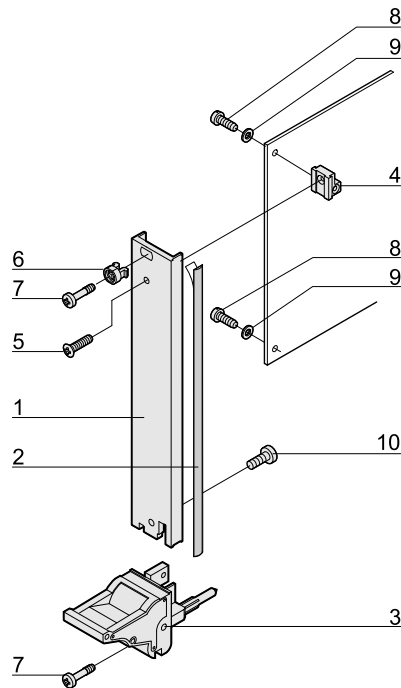
Plug-in units – Plug-in units

| Handles for plug-in units | | Kit | Individual components | |
|---|---|------|-----------------------|--|
| | | Page | Page | |
|  | For CompactPCI and VME64x applications Inserter/extractor handle, type IEL/IET, allows keying/coding and insertion/extraction forces up to 700 N per pair | 7.18 | 7.20 | Overview 7.17 Plug-in units with injector and extractor handles |
|  | For VPX, VXS, CompactPCI and VME64x applications Inserter/extractor handle, type XL, allows keying/coding and insertion/extraction forces up to 1500 N per pair | 7.30 | 7.31 | For CompactPCI and VME64x applications 7.18 |
|  | For e.g. VMEbus applications Trapeziform extractor handle, type 2 | 7.33 | 7.35 | For VPX, VXS, CompactPCI and VME64x applications 7.30 |
|  | For e.g. VMEbus applications Trapeziform extractor handle, type 1 | 7.40 | 7.42 | For e.g. VMEbus applications type 2 7.33 |
|  | For Multibus® II applications Extractor handle, multibus type II, IEC 60297 | – | 7.46 | For e.g. VMEbus applications type 1 7.40 |
|  | For plug-in units in accordance with IEC 60297 Extractor handle in key form 1 | – | 7.48 | For Multibus® II applications 7.46 |
|  | For plug-in units in accordance with IEC 60297 Extractor handle in key form 2 | – | 7.51 | For plug-in units in accordance with IEC 60297 7.48 |
|  | For plug-in units in accordance with IEC 60297 Static handle | 7.54 | 7.56 | For plug-in units in accordance with IEC 60297 7.51 |
|  | Accessories for plug-in units Mechanical protection for static trapeziform handle and fixing materials kit | 7.64 | – | For plug-in units in accordance with IEC 60297 7.54 |
| | | | | Accessories for plug-in units 7.62 |
| | | | | PCB cover 7.64 |

Plug-in units – for CompactPCI, VME64x

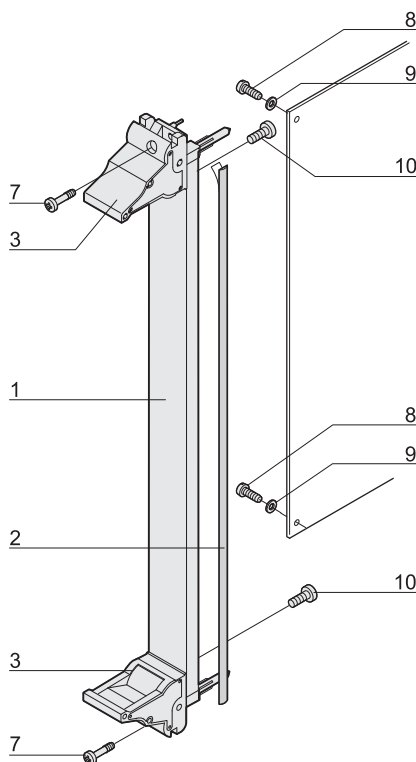
KITS
PLUG-IN UNITS WITH IEL INSERTER/EXTRACTOR HANDLE FOR COMPACTPCI/VME64X APPLICATIONS

3 U



04602073

6 U



04602074

- In accordance with IEEE 1101.10 and IEC 60297-3-102
- Codable to IEC 60297-3-103/ IEEE 1101.10
- Front panel shielded
- Suitable for insertion and extraction forces up to 700 N (per pair)
- Suitable for fitting microswitches

DELIVERY COMPRISES (kit)

| Item | Qty | | | | Description |
|------|------|------|------|------|---|
| | 3 U | | 6 U | | |
| | <8HP | ≥8HP | <8HP | ≥8HP | |
| 1 | 1 | 1 | 1 | 1 | Front panel (U profile), Al, front anodised, rear conductive |
| 2 | 1 | 1 | 1 | 1 | EMC sealing (textile), core: foam, sleeve: textile cladding, CuNi coated |
| 3 | 1 | 1 | 2 | 2 | Handle with integrated alignment pin for perforated strips and guide rails, lever: plastic, PC, black, RAL 9005; key: plastic, PC, light grey, RAL 7035 |
| 4 | 1 | 1 | - | - | Board support, die-cast zinc |
| 5 | 1 | 1 | - | - | Raised Pozidrive countersunk screw M2.5 x 8, St, nickel-plated |
| 6 | 1 | 3 | - | 2 | Sleeve, PA, grey |
| 7 | 2 | 4 | 2 | 4 | Pozidrive collar screw, M2.5 x 12.3, St, nickel-plated |
| 8 | 2 | 2 | 2 | 2 | Panhead screw with Torx/slot, M2.5 x 6, St, zinc-plated, self-locking |
| 9 | 2 | 2 | 2 | 2 | Washer A2.7, DIN 125, St, nickel-plated |
| 10 | 1 | 1 | 2 | 2 | Panhead screw with Torx, M2.5 x 7, St, nickel-plated |

ORDER INFORMATION

| Width HP | Part no. | Part no. |
|-------------|----------|----------------|
| | Rear I/O | Front assembly |

3 U Height

| | | |
|----|------------------|------------------|
| 4 | 20848-751 | 20848-585 |
| 6 | - | 20848-587 |
| 8 | 20848-752 | 20848-589 |
| 10 | - | 20848-590 |
| 12 | - | 20848-591 |

6 U Height

| | | |
|----|---|------------------|
| 4 | - | 20848-592 |
| 6 | - | 20848-594 |
| 8 | - | 20848-596 |
| 10 | - | 20848-597 |
| 12 | - | 20848-598 |

Accessories

| | |
|---|------------------|
| Microswitch for handles, CompactPCI/VME64x application PU 10 pieces | 20817-606 |
|---|------------------|

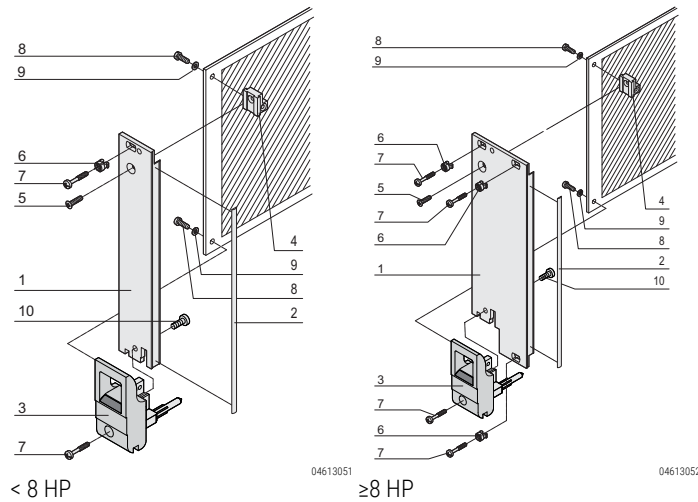
- Dimension drawing of front profile see page 7.26
- Description of microswitch see page 7.31

Plug-in units – for CompactPCI, VME64x

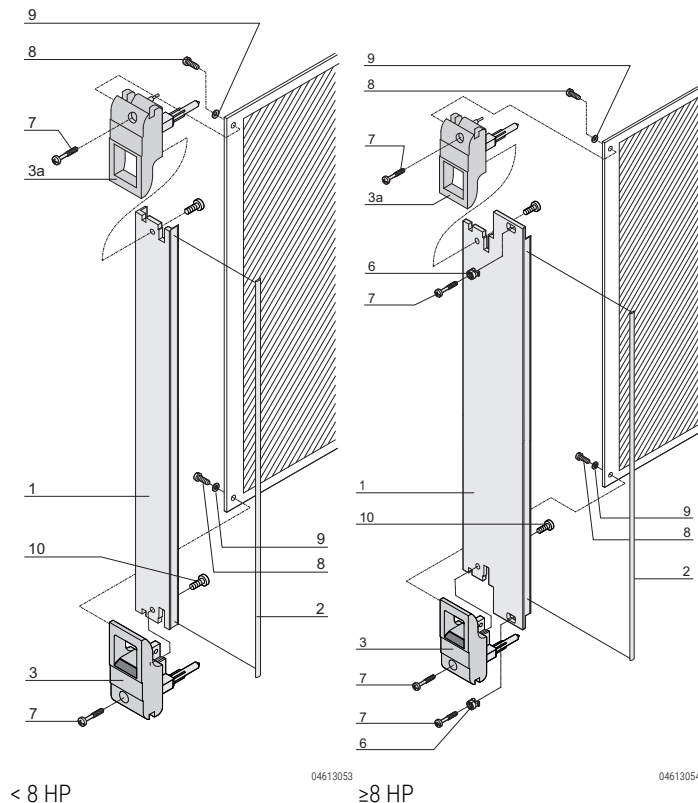
KITS

PLUG-IN UNITS WITH IET INSERTION/EXTRACTOR HANDLE FOR COMPACTPCI/VME64X APPLICATIONS

3 U



6 U



- Suitable for insertion and extraction forces up to 700 N (per pair)
- Version for telecoms applications
- To IEEE 1101.10 and IEC 60297-3-102
- Codable to IEC 60297-3-103/ IEEE 1101.10
- Front panel, shielded (3 U, 6 HP)
- designed for fitting of microswitches
- Online download of 3D CAD data

DELIVERY INCLUDES (Kit)

| Item | 3 U | | 6 U | | Description |
|------|----------------------------|-------------------------------|----------------------------|-------------------------------|---|
| | <math>< 8\text{ HP}</math> | $\geq 8\text{ HP}$ | <math>< 8\text{ HP}</math> | $\geq 8\text{ HP}$ | |
| 1 | 1 | 1 | 1 | 1 | Front panel (U profile), Al, front anodized, rear conductive |
| 2 | 1 | 1 | 1 | 1 | EMC sealing (textile), core: foam, sleeve: textile cladding, CuNi coated |
| 3 | 1 | 1 | 2 | 2 | Handle with integrated alignment pin for perforated strips and guide rails, lever: plastic, PC, black, RAL 9005 Key: Plastic, PC, light gray, RAL 7035 |
| 4 | 1 | 1 | - | - | Board support, die-cast zinc |
| 5 | 1 | 1 | - | - | Raised Pozidrive countersunk screw M2.5 x 8, St, nickel-plated |
| 6 | 1 | 3 | - | 2 | Sleeve, PA, gray |
| 7 | 2 | 4 | 2 | 4 | Pozidrive collar screw, M2.5 x 12.3, St, nickel-plated |
| 8 | 2 | 2 | 2 | 2 | Panhead screw with Torx/slot, M2.5 x 6, St, zinc-plated, self-locking |
| 9 | 2 | 2 | 2 | 2 | Washer A2.7, DIN 125, St, nickel-plated |
| 10 | 1 | 1 | 2 | 2 | Panhead screw with Torx, M2.5 x 7, St, nickel-plated |

ORDER INFORMATION

| Width HP | Part no. |
|-------------------|------------------|
| 3 U Height | |
| 4 | 20848-763 |
| 8 | 20848-764 |
| 12 | 20848-765 |
| 6 U Height | |
| 4 | 20848-766 |
| 8 | 20848-767 |
| 12 | 20848-768 |

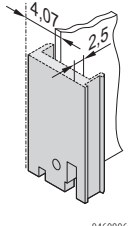
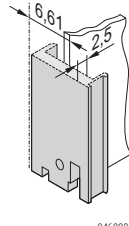
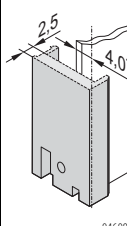
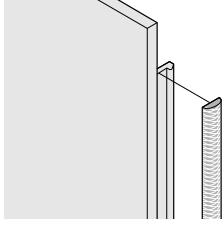
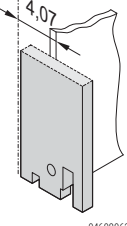
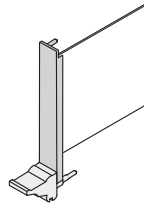
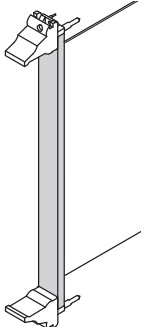
Accessories

| | |
|---|------------------|
| Coding peg, PC, UL 94 V-0, grey, RAL 7035 PU 100 pieces | 20817-501 |
| Microswitch for handles, CompactPCI/VME64x application PU 10 pieces | 20817-606 |

- For description of coding peg and microswitch see page 7.23
- Description of microswitch see page 7.31

Plug-in units – for CompactPCI, VME64x

INDIVIDUAL COMPONENTS
FRONT PANELS, U-PROFILES, FOR EXTRACTOR HANDLES, TYPE IEL, IET
ORDER INFORMATION

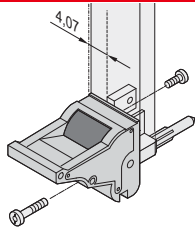
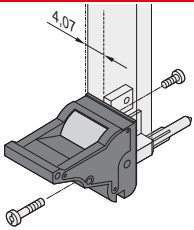
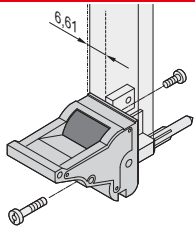
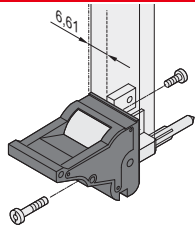
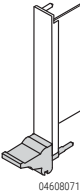
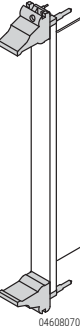
| | Front panel, U profile, shieldable | | | Textile EMC gasket | | Front panel, flat, unshielded, front mounting | |
|---|---|---|---|---|------------------|---|------------------|
| | Front mounting | Front mounting, PCB fixing with 0.1" offset | Rear I/O mounting | | | | |
| |  |  |  |  | |  | |
| | 04608060 | 04608062 | 04608061 | BGA45760 | | 04608063 | |
| | Al extrusion, 2.5 mm, front anodised, rear conductive; alignment pin pressed-in (3 U only), stainless steel; manufacturing process causes various surface structures to appear between 4 to 12 HP and 14 to 16 HP | | | always fixed laterally on the front panel, in the groove of the profile, textile gasket, core: foam, sleeve: textile cladding with CuNi coating, UL 94 V-0, temperature range -40 ... 70 °C | | front panel, Al, 2.5 mm, front anodised, rear iridescent green chromated | |
| Width HP | 1 piece (SPQ 5) ¹⁾ | 1 piece (SPQ 5) ¹⁾ | 1 piece (SPQ 5) ¹⁾ | PU 10 pieces | PU 100 pieces | 1 piece (SPQ 5) ¹⁾ | |
| 3 U Height | | | | | | | |
|  | 4 | 30848-312 | 30848-426 | 30848-867 | 21101-853 | 21101-854 | 30848-327 |
| | 5 | 30848-300 | 30848-427 | – | | | 30848-328 |
| | 6 | 30848-313 | 30848-428 | – | | | 30848-329 |
| | 7 | 30848-301 | 30848-429 | – | | | 30848-330 |
| | 8 | 30848-314 | 30848-430 | 30848-869 | | | 30848-331 |
| | 9 | 20848-227 | – | – | | | – |
| | 10 | 30848-315 | 30848-431 | – | | | 30848-333 |
| | 11 | 20848-228 | – | – | | | – |
| | 12 | 30848-316 | 30848-432 | 30848-985 | | | 30848-335 |
| | 14 | 20848-230 | – | – | | | – |
| 16 | 20848-232 | – | – | – | | | |
| 6 U Height | | | | | | | |
|  | 4 | 30848-317 | 30848-317 | 30848-317 | 21101-855 | 21101-856 | 30848-336 |
| | 5 | 30848-304 | 30848-304 | 30848-304 | | | 30848-337 |
| | 6 | 30848-318 | 30848-318 | 30848-318 | | | 30848-338 |
| | 7 | 30848-305 | 30848-305 | 30848-305 | | | 30848-339 |
| | 8 | 30848-319 | 30848-319 | 30848-319 | | | 30848-340 |
| | 9 | 20848-243 | 20848-243 | 20848-243 | | | – |
| | 10 | 30848-320 | 30848-320 | 30848-320 | | | 30848-342 |
| | 11 | 20848-244 | 20848-244 | 20848-244 | | | – |
| | 12 | 30848-321 | 30848-321 | 30848-321 | | | 30848-344 |
| | 14 | 20848-246 | 20848-246 | 20848-246 | | | – |
| 16 | 20848-248 | 20848-248 | 20848-248 | – | | | |
| Fixing material see page | 7.23 | 7.23 | 7.23 | | | 7.23 | |
| Dimensions see page | 7.26 | 7.26 | 7.25 | | | 7.27 | |

1) SPQ (standard pack quantity): Part number includes 1 piece, but delivery is exclusively made in standard pack quantity (SPQ); please order at least the SPQ quantity or a multiple

Part no. includes one packing unit (PU); delivery is exclusively made in PU

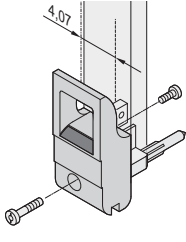
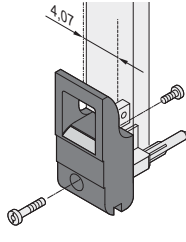
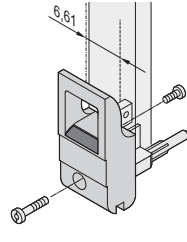
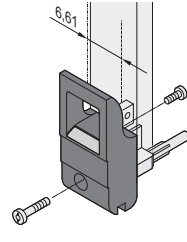
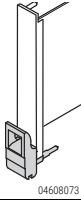
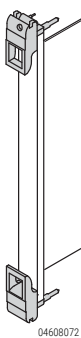
Plug-in units – for CompactPCI, VME64x

INDIVIDUAL COMPONENTS
INSERTER/EXTRACTOR HANDLE, TYPE IEL
ORDER INFORMATION

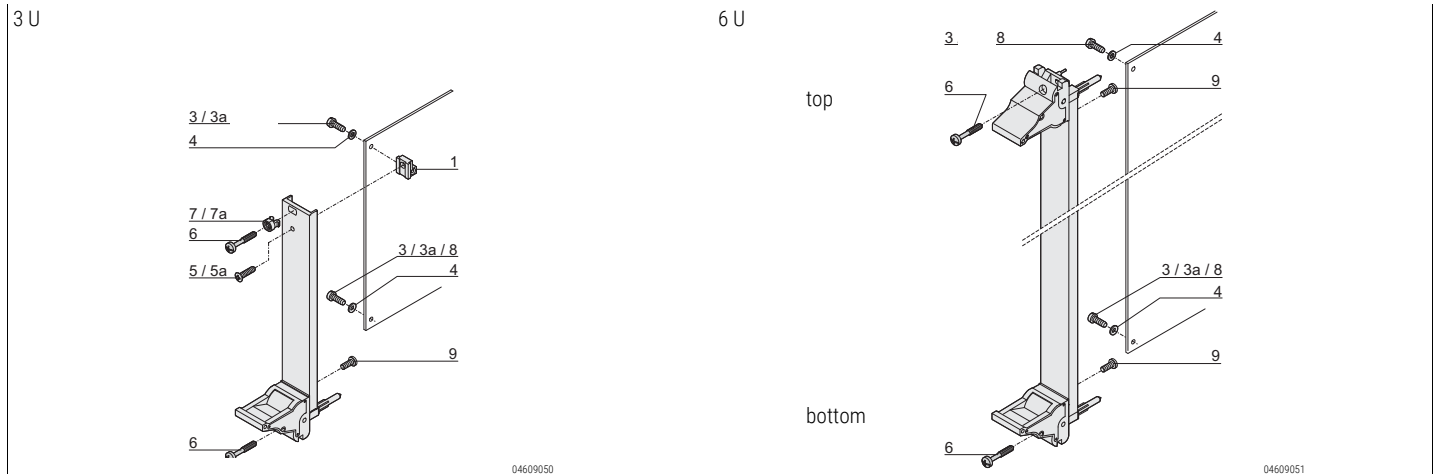
| | Inserter/extractor handle, type IEL, board fixing without offset | | | | Inserter/extractor handle, type IEL, board fixing with 0.1" offset | | | | | | |
|---|---|------------------|---|------------------|---|------------------|---|------------------|------------------|--|--|
| | lever: light grey, RAL 7035 key: black, RAL 9005 | | lever: black, RAL 9005 key: light grey, RAL 7035 | | lever: light grey, RAL 7035 key: black, RAL 9005 | | lever: black, RAL 9005 key: light grey, RAL 7035 | | | | |
| |  04608050 | |  04608052 | |  04608051 | |  04608053 | | | | |
| | in accordance with IEEE 1101.10 and IEC 60297-3-102, with locking, suitable for insertion and extraction forces up to 700 N (per pair), suitable for fitting of microswitches; block die-cast zinc, nickel-plated, with integrated alignment pin for perforated strip, codable to IEEE 1101.10 and IEC 60297-3-103, lever/key UL 94 V-0, slotted Pozidrive collar screw, M2.5 x 12.3, St, nickel-plated, panhead screw with Torx, M2.5 x 7, St, nickel-plated | | | | in accordance with IEEE 1101.10 and IEC 60297-3-102, with locking, suitable for insertion and extraction forces up to 700 N (per pair), suitable for fitting of microswitches; 0.1" offset is used for PSUs with SMD Plus, block die-cast zinc, nickel plated; with integrated alignment pin for perforated strip, codable to IEEE 1101.10 and IEC 60297-3-103, lever/key UL 94 V-0, slotted Pozidrive collar screw, M2.5 x 12.3, St, nickel-plated, panhead screw with Torx, M2.5 x 7, St, nickel-plated | | | | | | |
| Assembly | PU 10 pieces | PU 100 pieces | PU 10 pieces | PU 100 pieces | PU 10 pieces | PU 100 pieces | PU 10 pieces | PU 100 pieces | | | |
|  04608071 | 3 U Height bottom | | | | | | | | | | |
| | Front side | 20817-620 | 20817-621 | 20817-612 | 20817-613 | 20817-690 | 20817-691 | 20817-682 | 20817-683 | | |
| | Rear I/O | 20817-622 | 20817-623 | 20817-614 | 20817-615 | - | - | - | - | | |
|  04608070 | 6 U Height top | | | | | | | | | | |
| | Front side | 20817-622 | 20817-623 | 20817-614 | 20817-615 | 20817-692 | 20817-693 | 20817-684 | 20817-685 | | |
| | Rear I/O | 20817-620 | 20817-621 | 20817-612 | 20817-613 | - | - | - | - | | |
| | bottom | | | | | | | | | | |
| | Front side | 20817-620 | 20817-621 | 20817-612 | 20817-613 | 20817-690 | 20817-691 | 20817-682 | 20817-683 | | |
| | Rear I/O | 20817-622 | 20817-623 | 20817-614 | 20817-615 | - | - | - | - | | |
| Dimensions see page | | | | 7.28 | | | | 7.28 | | | |

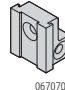

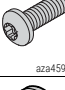


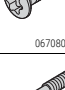
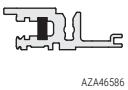




Plug-in units – for CompactPCI, VME64x

INDIVIDUAL COMPONENTS
INSERTER/EXTRACTOR HANDLE, TYPE IET
ORDER INFORMATION

| | Inserter/extractor handle, type IET, board fixing without offset | | | | Inserter/extractor handle, type IET, board fixing with 0.1" offset | | | | |
|--|---|------------------|---|------------------|---|------------------|---|------------------|------------------|
| | lever: light grey, RAL 7035 key: black, RAL 9005 | | lever: black, RAL 9005 key: light grey, RAL 7035 | | lever: light grey, RAL 7035 key: black, RAL 9005 | | lever: black, RAL 9005 key: light grey, RAL 7035 | | |
| |  04608054 | |  04608056 | |  04608055 | |  04608057 | | |
| | in accordance with IEEE 1101.10 and IEC 60297-3-102, with locking, suitable for insertion and extraction forces up to 700 N (per pair), suitable for fitting of microswitches; block die-cast zinc, nickel-plated, with integrated alignment pin for perforated strip, codable to IEEE 1101.10 and IEC 60297-3-103, lever/key UL 94 V-0, Slotted Pozidrive collar screw, M2.5 x 12.3, St, nickel-plated, panhead screw with Torx, M2.5 x 7, St, nickel-plated | | | | in accordance with IEEE 1101.10 and IEC 60297-3-102, with locking, suitable for insertion and extraction forces up to 700 N (per pair), suitable for fitting of microswitches; 0.1" offset is used for PSUs with SMD Plus: block die-cast zinc, nickel plated; with integrated alignment pin for perforated strip, codable to IEEE 1101.10 and IEC 60297-3-103, lever/key UL 94 V-0, slotted Pozidrive collar screw, M2.5 x 12.3, St, nickel-plated, panhead screw with Torx, M2.5 x 7, St, nickel-plated | | | | |
| Assembly | PU 10 pieces | PU 100 pieces | PU 10 pieces | PU 100 pieces | PU 10 pieces | PU 100 pieces | PU 10 pieces | PU 100 pieces | |
|  04608073 | 3 U Height bottom | | | | | | | | |
| | Front side | 20817-660 | 20817-661 | 20817-652 | 20817-653 | 20817-714 | 20817-715 | 20817-706 | 20817-707 |
| | Rear I/O | 20817-662 | 20817-663 | 20817-654 | 20817-655 | - | - | - | - |
|  04608072 | 6 U Height top | | | | | | | | |
| | Front side | 20817-662 | 20817-663 | 20817-654 | 20817-655 | 20817-716 | 20817-717 | 20817-708 | 20817-709 |
| | Rear I/O | 20817-660 | 20817-661 | 20817-652 | 20817-653 | - | - | - | - |
| | bottom | | | | | | | | |
| | Front side | 20817-660 | 20817-661 | 20817-652 | 20817-653 | 20817-714 | 20817-715 | 20817-706 | 20817-707 |
| | Rear I/O | 20817-662 | 20817-663 | 20817-654 | 20817-655 | - | - | - | - |
| Fixing material see page | 7.23 | | | | 7.23 | | | | |
| Dimensions see page | 7.29 | | | | 7.29 | | | | |

Plug-in units – for CompactPCI, VME64x

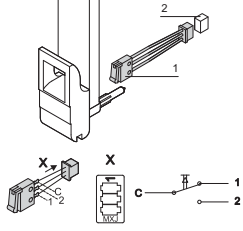
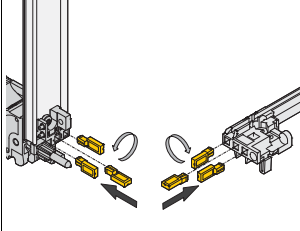
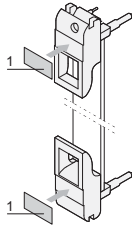
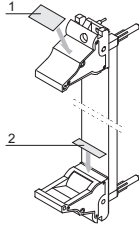
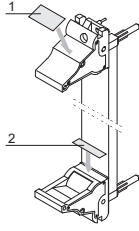
INDIVIDUAL COMPONENTS
INSERTER/EXTRACTOR HANDLES, TYPE IEL/IET, FIXING MATERIAL
ORDER INFORMATION


| Fixing material | Item | 3 U | 3 U | | 6 U | | Qty/PU | Part no. |
|---|------|---|--------|--------|--------|--------|-----------------------------------|------------------|
| | | | < 8 HP | ≥ 8 HP | < 8 HP | ≥ 8 HP | | |
| Printed board bracket Zn die-cast | 1 |  06707050 | 1 | 1 | - | - | 1 piece (SPG 10) ¹⁾ | 60807-181 |
| Pozidrive panhead screw M2.5 × 6, St, nickel-plated, not for 0.1" offset | 3 |  AZA45177 | 2 | 2 | 2 | 2 | 100 | 21101-219 |
| Slotted panhead screw with Torx 8 M2.5 × 6, St, zinc-plated, self-securing thread not for 0.1" offset | 3a |  aza45940 | 2 | 2 | 2 | 2 | 100 | 24560-159 |
| Washer 2.7, DIN 125, St, nickel-plated | 4 |  AZA46586 | 2 | 2 | 2 | 2 | 100 | 21100-721 |
| Raised Pozidrive countersunk panhead screw M2.5 × 8, St, nickel-plated | 5 |  06702056 | 1 | 1 | - | - | 100 | 21100-429 |
| Raised countersunk panhead screw with Torx 8 M2.5 × 8, St, nickel-plated | 5a |  06708050 | 1 | 1 | - | - | 100 | 24560-164 |
| Pozidrive/slotted collar screw M2.5 × 12.3, St, nickel-plated | 6 |  AZA46586 | 1 | 3 | - | 2 | 100 | 21101-101 |
| Plastic sleeve, for form hole 5.9 × 3.3 PA, UL 90 V-2, grey | 7 |  aza45933 | 1 | 3 | - | 2 | 100 | 21100-464 |
| Metal sleeve, for form hole 5.9 × 3.3, press-in Stainless steel | 7a |  aza45934 | 1 | 3 | - | 2 | 100 | 21100-662 |
| Pozidrive panhead screw for IEL/IET handle with 0.1" offset M2.5 × 10, nickel-plated steel | 8 |  AZA45177 | 2 | 2 | 2 | 2 | 100 | 21101-220 |
| Torx panhead screw M2.5 × 7, St, nickel-plated, Torx 8, | 9 |  aza45940 | 1 | 1 | 2 | 2 | 100 | 24560-147 |

SPQ (standard pack quantity): Part number includes 1 piece, but delivery is exclusively made in standard pack quantity (SPQ); please order at least the SPQ quantity or a multiple

Plug-in units – for CompactPCI, VME64x

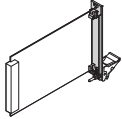
INDIVIDUAL COMPONENTS
INSERTER/EXTRACTOR HANDLES, TYPE IEL/IET, ACCESSORIES
ORDER INFORMATION

| Microswitch | Keying/coding | Label strips | Label strips | |
|--|---|---|---|---|
| with cable and plug | in accordance with IEC 60297-3-103 | 19 x 9.5 mm | 19 x 9.5 mm | 19 x 4.8 mm |
|  <p>bga46314 bga46315</p> <p>Molex connector housing 51021-0300, Molex crimp contact 50058-8000 and fixing clip (item 3), plastic, PC, UL 94 V-0, max. switched current 50 mA, operating range -25 °C to +70 °C, mech. life ≥ 20,000 switching cycles, electr. life ≥ 20,000 switching cycles; suitable mating connectors (item 2) e.g. Molex 53261-0319, 53048-0310, 53047-0310, 53398-0319, 51047-0300 not included in scope of delivery</p> |  <p>04612052</p> <p>The keying/coding pegs prevent plug-in units to be mounted in wrong slots. They are inserted in the chambers of the codable card guides as well as in the insertion/extraction handles IEL or IET (4 possible positions), resulting in 64 codings per card guide; when coding the upper and lower card guide, 4096 codings will result; guide rails for coding see page 6.40</p> |  <p>04606050</p> <p>Polyester, self-adhesive, white, 1 sheet 210 pieces (Item 1)</p> |  <p>bga46317</p> <p>Polyester, self-adhesive, white, 1 sheet 210 pieces (item 1)</p> |  <p>bga46317</p> <p>Polyester, self-adhesive, white, 1 sheet 320 pieces (item 2)</p> |
| PU 10 pieces | PU 100 pieces | PU 210 pieces | PU 210 pieces | PU 320 pieces |
| 3 U Height | | | | |
| bottom | | | | |
| 20817-606 | 20817-501 | 60817-340 | 60817-340 | 60817-341 |
| 6 U Height | | | | |
| top | | | | |
| 20817-606 | 20817-501 | 60817-340 | 60817-340 | 60817-341 |
| bottom | | | | |
| 20817-606 | 20817-501 | 60817-340 | 60817-340 | 60817-341 |

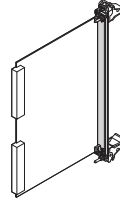
Plug-in units – for CompactPCI, VME64x

DIMENSIONS
FRONT PANELS, U-PROFILES, INSERTER/EXTRACTOR HANDLES, TYPE IEL/IET, REAR I/O, SHIELDABLE

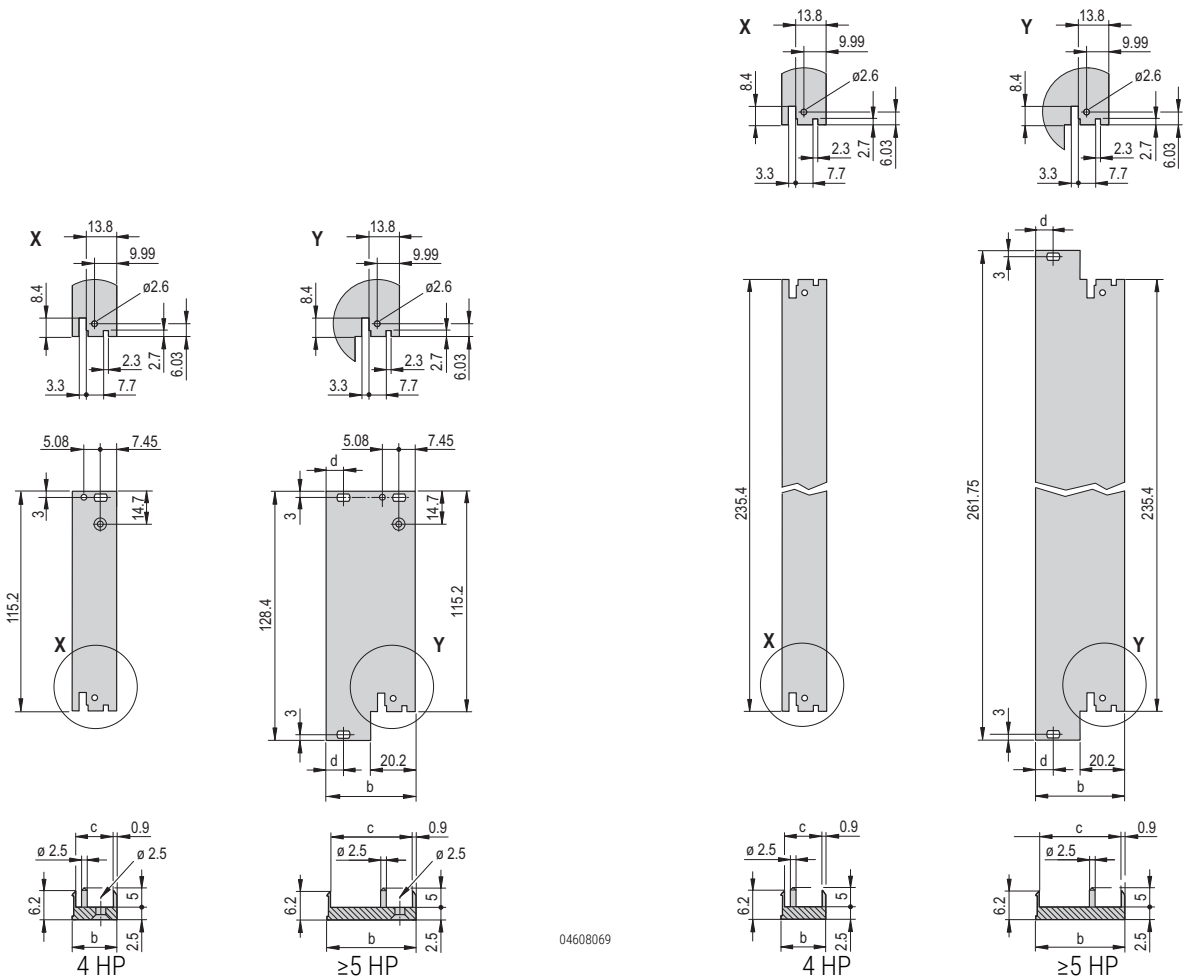
PCB fixing without offset

3 U


04608068

6 U


04608076



04608069

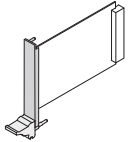
04608075

| Dimensions table | | | |
|------------------|-------|-------|------|
| Width | b | c | d |
| HP | mm | mm | mm |
| 4 | 19.98 | 17.45 | - |
| 5 | 25.06 | 22.53 | - |
| 6 | 30.14 | 27.61 | - |
| 7 | 35.22 | 32.69 | - |
| 8 | 40.30 | 37.77 | 7.45 |
| 9 | 45.38 | 42.85 | 7.45 |
| 10 | 50.46 | 47.93 | 7.45 |
| 11 | 55.54 | 53.01 | 7.45 |
| 12 | 60.62 | 58.09 | 7.45 |
| 14 | 70.78 | 68.25 | 7.45 |
| 16 | 80.94 | 78.41 | 7.45 |

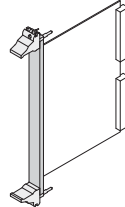
Plug-in units – for CompactPCI, VME64x

DIMENSIONS
FRONT PANELS, U-PROFILES, INSERTER/EXTRACTOR HANDLES, TYPE IEL, IET, SHIELDABLE

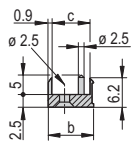
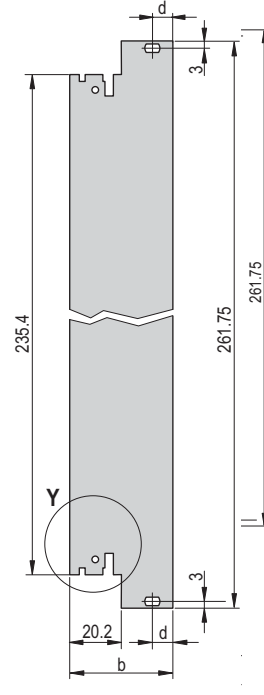
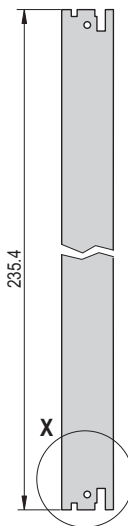
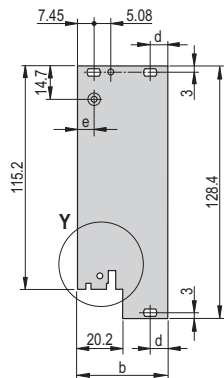
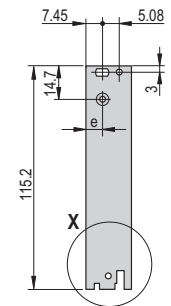
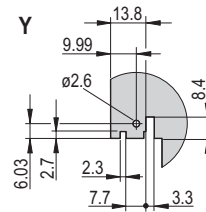
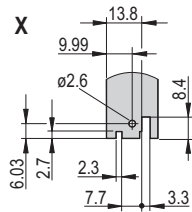
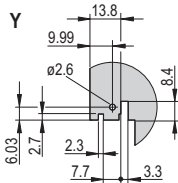
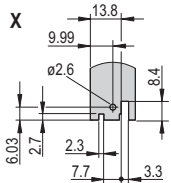
PCB fixing without offset / with 0.1" offset

3 U


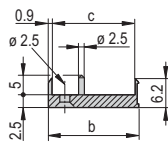
04608067

6 U


04608066



4 HP



≥5 HP

04608064

2.5 | b | 4 HP

04608065

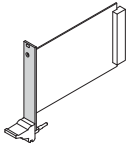
Dimensions table

| Width HP | b mm | c mm | d mm | without offset | with 0.1" offset |
|-------------|---------|---------|---------|----------------|------------------|
| | | | | e mm | e mm |
| 4 | 19.98 | 17.45 | - | 7.45 | 9.99 |
| 5 | 25.06 | 22.53 | - | 7.45 | 9.99 |
| 6 | 30.14 | 27.61 | - | 7.45 | 9.99 |
| 7 | 35.22 | 32.69 | - | 7.45 | 9.99 |
| 8 | 40.30 | 37.77 | 7.45 | 7.45 | 9.99 |
| 9 | 45.38 | 42.85 | 7.45 | 7.45 | 9.99 |
| 10 | 50.46 | 47.93 | 7.45 | 7.45 | 9.99 |
| 11 | 55.54 | 53.01 | 7.45 | 7.45 | 9.99 |
| 12 | 60.62 | 58.09 | 7.45 | 7.45 | 9.99 |
| 14 | 70.78 | 68.25 | 7.45 | 7.45 | 9.99 |
| 16 | 80.94 | 78.41 | 7.45 | 7.45 | 9.99 |

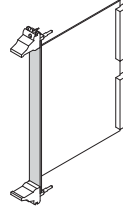
Plug-in units – for CompactPCI, VME64x

DIMENSIONS
FRONT PANELS, INSERTER/EXTRACTOR HANDLES, TYPE IEL/IET, UNSHIELDED

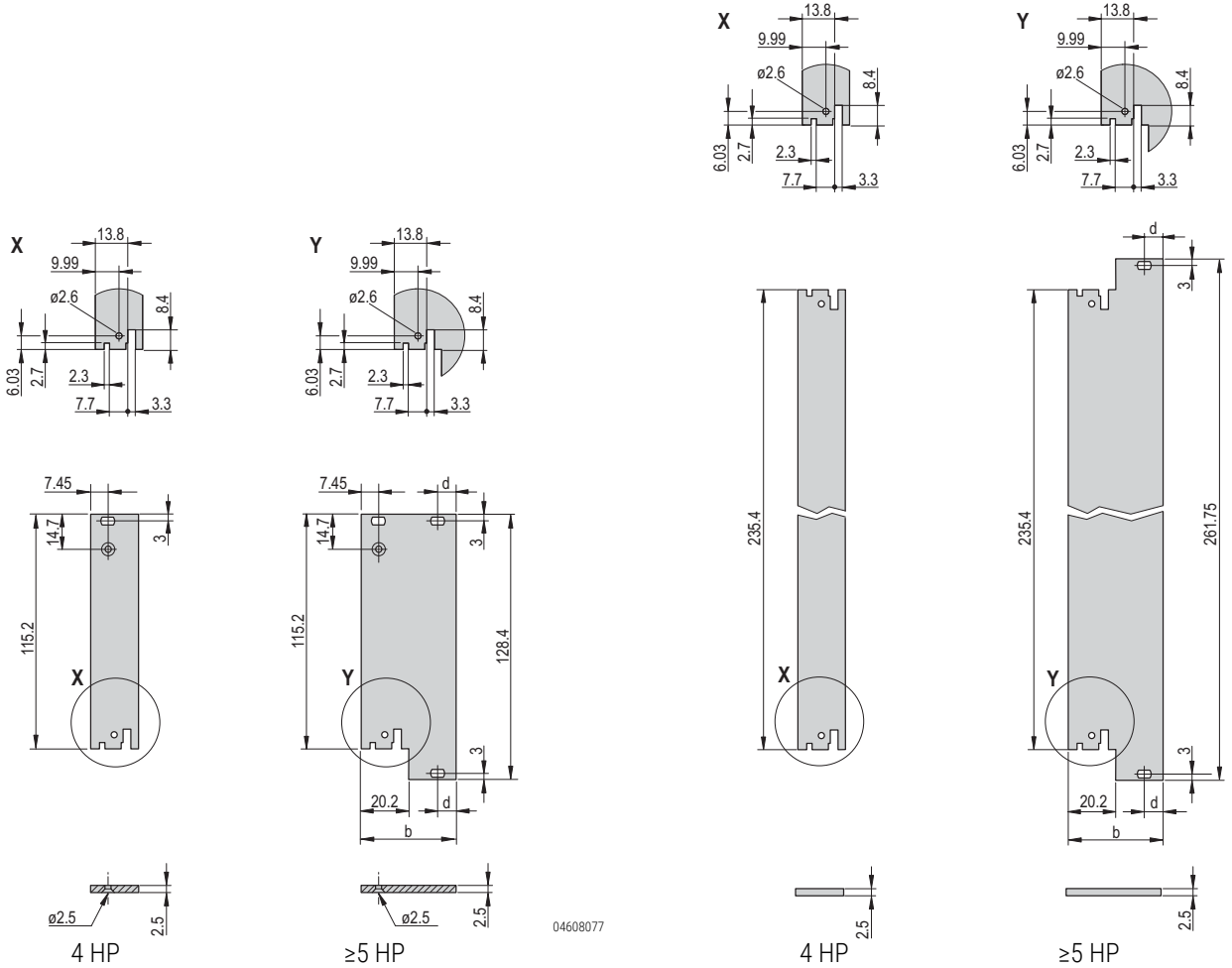
PCB fixing without offset

3 U


04608080

6 U


04608079

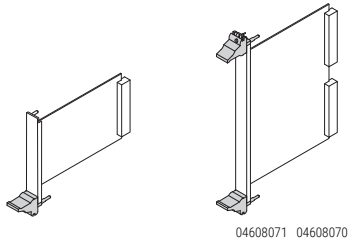


04608077

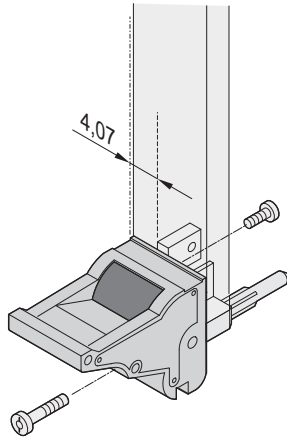
04608078

| Dimensions table | | |
|------------------|-------|------|
| Width HP | b mm | d mm |
| 4 | 19.98 | - |
| 5 | 25.06 | - |
| 6 | 30.14 | - |
| 7 | 35.22 | - |
| 8 | 40.30 | 7.45 |
| 9 | 45.38 | 7.45 |
| 10 | 50.46 | 7.45 |
| 11 | 55.54 | 7.45 |
| 12 | 60.62 | 7.45 |
| 14 | 70.78 | 7.45 |
| 16 | 80.94 | 7.45 |

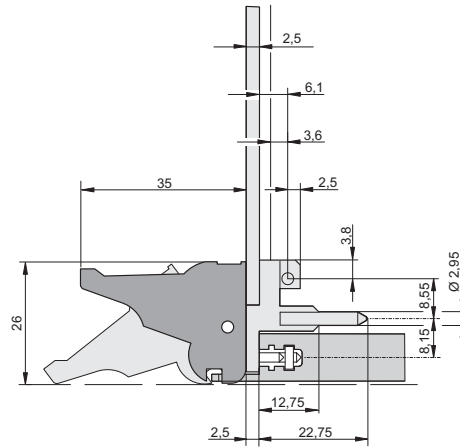
Plug-in units – for CompactPCI, VME64x

DIMENSIONS
INSERTER/EXTRACTOR HANDLE, TYPE IEL


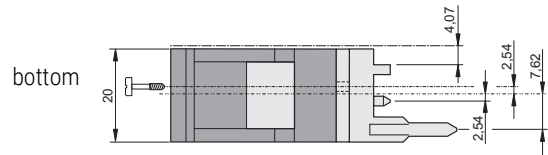
04608071 04608070



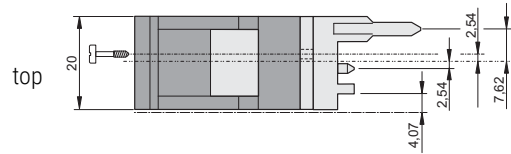
04608050



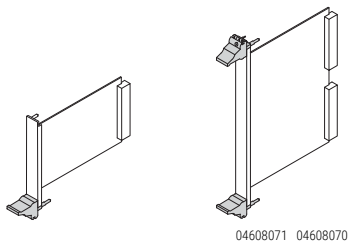
04603059



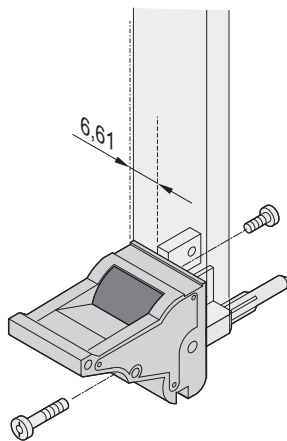
04607053



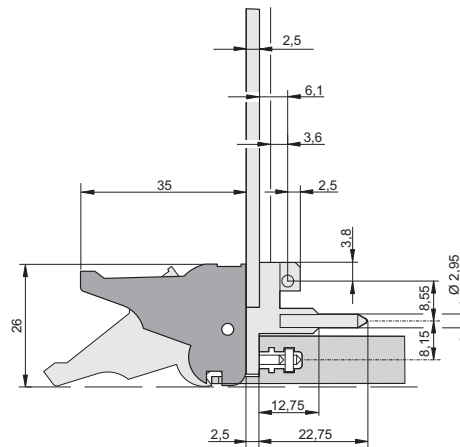
04607054

DIMENSIONS
INSERTER/EXTRACTOR HANDLE, TYPE IEL, 0.1" OFFSET


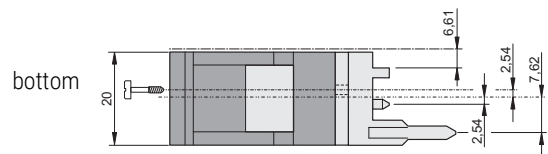
04608071 04608070



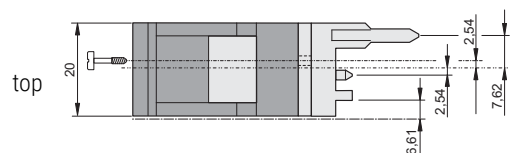
04608051



04603059

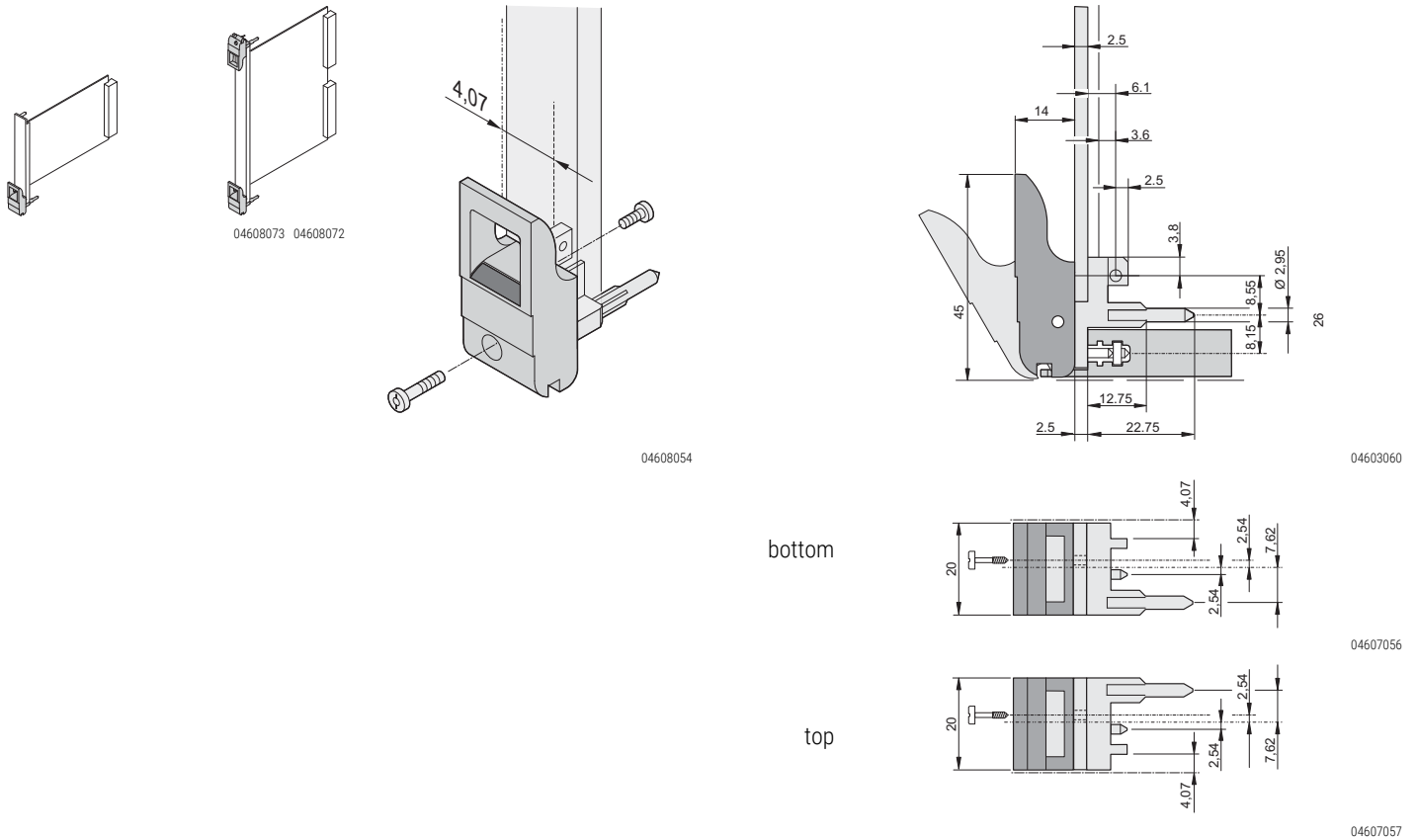
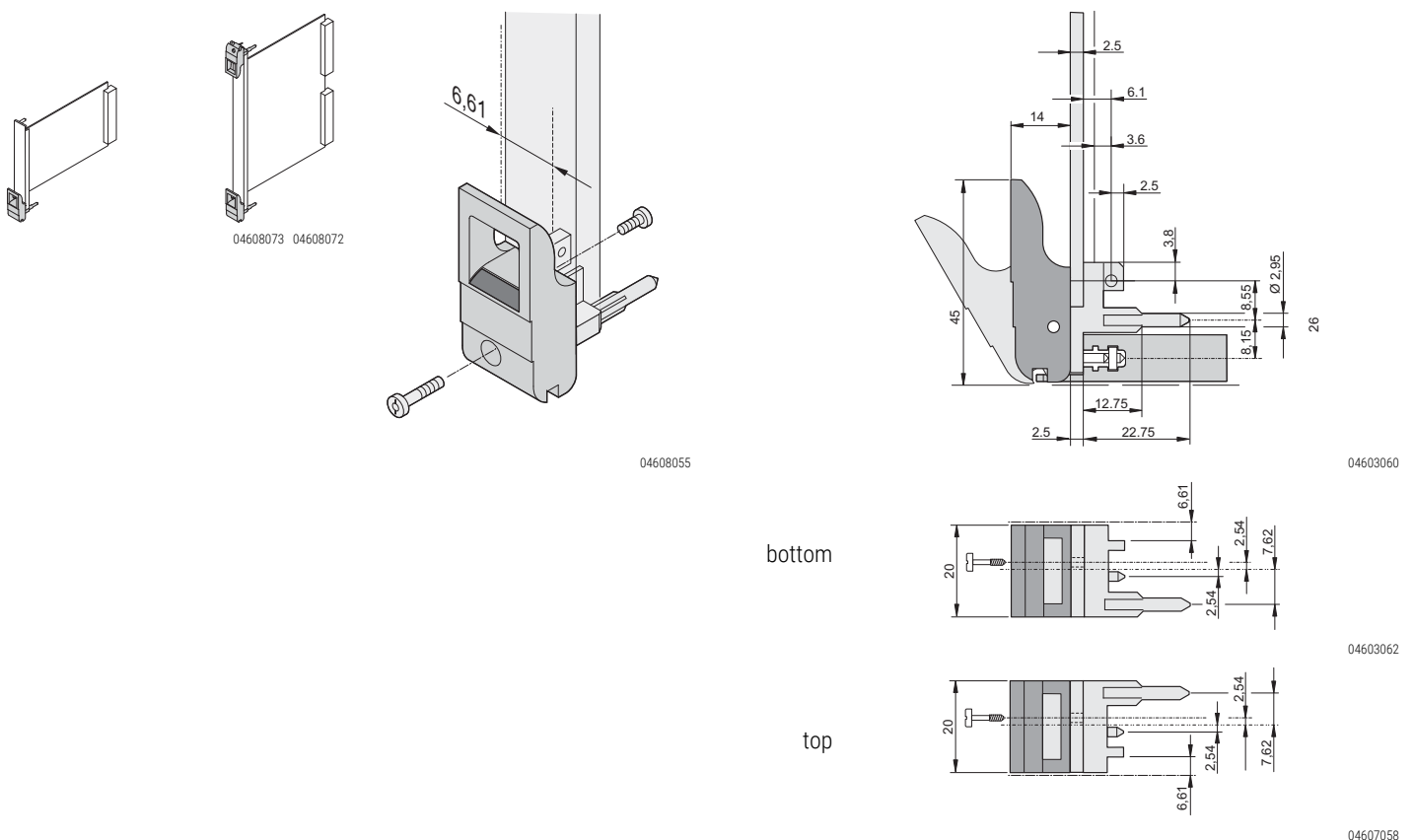


04603061



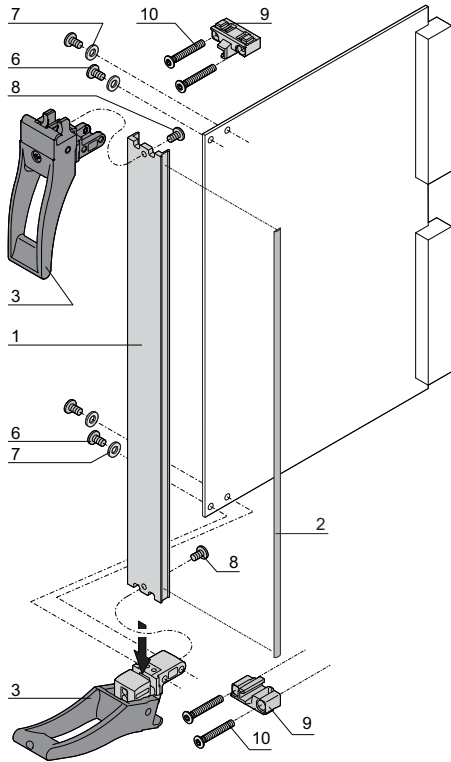
04607055

Plug-in units – for CompactPCI, VME64x

DIMENSIONS
INSERTER/EXTRACTOR HANDLE, TYPE IET

DIMENSIONS
INSERTER/EXTRACTOR HANDLE, TYPE IET, 0.1" OFFSET


Plug-in units – for CompactPCI, VME64x,

PLUG-IN UNITS WITH XL INSERTION/EXTRACTOR HANDLE FOR COMPACTPCI, VME64X, VXS AND VPX APPLICATIONS



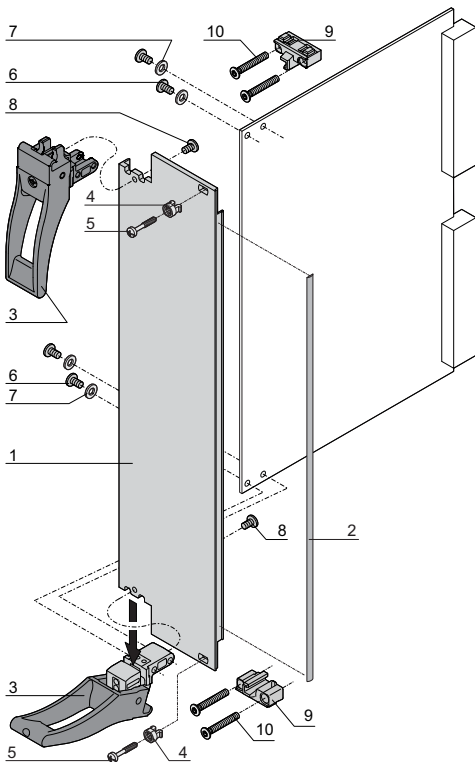
< 8 HP

04613055

- Suitable for insertion and extraction forces up to 1500 N (per pair)
- To IEEE 1101.10 and IEC 60297-3-102
- Codable to IEC 60297-3-103/ IEEE 1101.10
- Front panel, shielded (6 U)
- Versions allowing microswitches to be fitted on request
- Online download of 3D CAD data

DELIVERY INCLUDES (Kit)

| Item | Qty | | Description |
|------|-------|-------|---|
| | <8 HP | ≥8 HP | |
| 1 | 1 | 1 | Front panel (U profile), Al, front anodized, rear conductive |
| 2 | 1 | 1 | EMC sealing (textile), core: foam, sleeve: textile cladding, CuNi coated |
| 3 | 2 | 2 | Handle with integrated alignment pin for perforated strips and guide rails, lever: plastic, PC, black, RAL 9005 Key: Plastic, PC, light gray, RAL 7035 |
| 4 | - | 2 | Sleeve, PA, gray |
| 5 | - | 2 | Pozidrive collar screw, M2.5 × 12.3, St, nickel-plated |
| 6 | 4 | 4 | Panhead screw with Torx/slot, M2.5 × 6, St, zinc-plated, self-locking |
| 7 | 4 | 4 | Washer A2.7, DIN 125, St, nickel-plated |
| 8 | 4 | 4 | Pan head screw with torx M2.5 × 7, St, zinc-plated |
| 9 | 1 | 1 | XL bearing, zinc diecast, nickel-plated |
| 10 | 4 | 4 | Countersunk screw with torx M2.5 × 17, St, zinc-plated |



≥8 HP

04613056


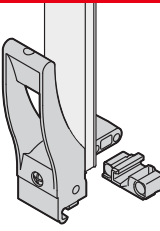
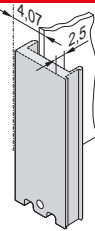
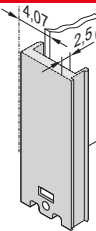
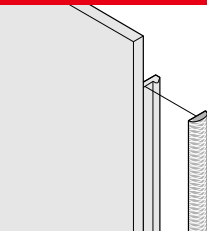
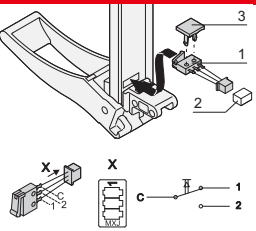
ORDER INFORMATION

| Width HP | Part no. |
|-------------------|------------------|
| 6 U Height | |
| 4 | 20848-769 |
| 8 | 20848-770 |
| 12 | 20848-771 |

- Dimension drawing of front profile, see page 7.32

Plug-in units – for CompactPCI, VME64x,

INDIVIDUAL COMPONENTS
INSERTER/EXTRACTOR HANDLE, TYPE XL, FRONT PANELS, MICROSWITCH

| | Inserter/extractor handle, type XL | U front profile, shieldable, for inserter/extractor handle, type XL | | EMC gasket (textile) | | Microswitch item 1 with cable and plug |
|---|--|---|---|--|--|---|
| | | without cut-out for microswitch | with cut-out for microswitch | | | |
|  <p>04605008</p> |  <p>04608081</p> |  <p>04608082</p> |  <p>04608083</p> |  <p>BGA45760</p> |  <p>04608084 bga46315</p> | |
| | kit, incl. die-cast bearing and assembly kit; insertion and extraction force up to 1500 Nm per pair; handle in PA, fibreglass reinforced, UL 94V 0; robust board fixing with double bolt fixing, microswitches can be fitted | Al, front anodised, sides and rear conductive, for sleeve and collar screw see page 7.37 | Al, front anodised, sides and rear conductive for sleeve and collar screw see page 7.37 | always fixed laterally on the front panel, in the groove of the profile, textile gasket, core: foam, sleeve: textile cladding with CuNi coating, UL 94 V-0 | | Molex connector housing 51021-0300, Molex crimp contact 50058-8000 and fixing clip (item 3), plastic, PC, UL 94 V-0, max. switched current 50 mA, operating range -25 °C to +70 °C, mech. life ≥ 20,000 switching cycles, electr. life ≥ 20,000 switching cycles; suitable mating connector (item 2) e.g. Molex 53261-0319, 53048-0310, 53047-0310, 53398-0319, 51047-0300, not included in scope of delivery |
| Width HP | PU 10 pieces | 1 piece (SPQ 5) ¹⁾ | 1 piece (SPQ 5) ¹⁾ | PU 10 pieces | PU 100 pieces | PU 10 pieces |
| | 6 U Height | | | | | |
| 4 | | 30849-153 | 30849-154 | | | |
| 8 | 20817-874 | 30849-155 | 30849-156 | 21101-855 | 21101-856 | 20817-877 |
| 12 | | 30849-157 | 30849-158 | | | |
| Dimensions see page | 7.30 | 7.30 | 7.30 | | | |

1) SPQ (standard pack quantity): Part number includes 1 piece, but delivery is exclusively made in standard pack quantity (SPQ); please order at least the SPQ quantity or a multiple

Part no. includes one packing unit (PU); delivery is exclusively made in PU

NOTE

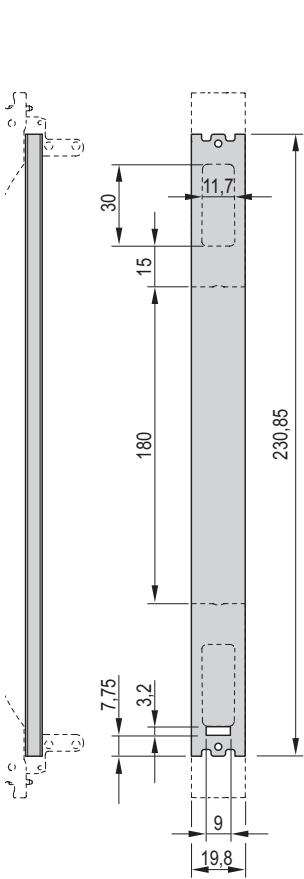
- Please order front panels separately

Plug-in units – for CompactPCI, VME64x,

DIMENSIONS

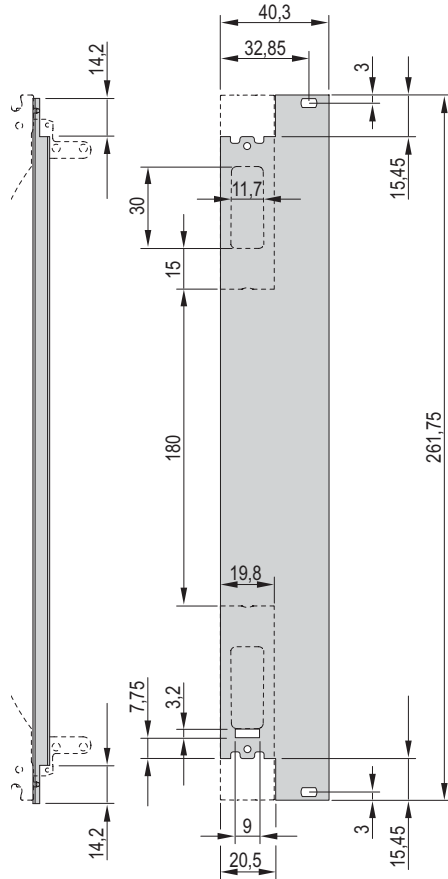
U FRONT PROFILE FOR EXTRACTOR HANDLE TYPE XL, SHIELDABLE

6 U/4 HP



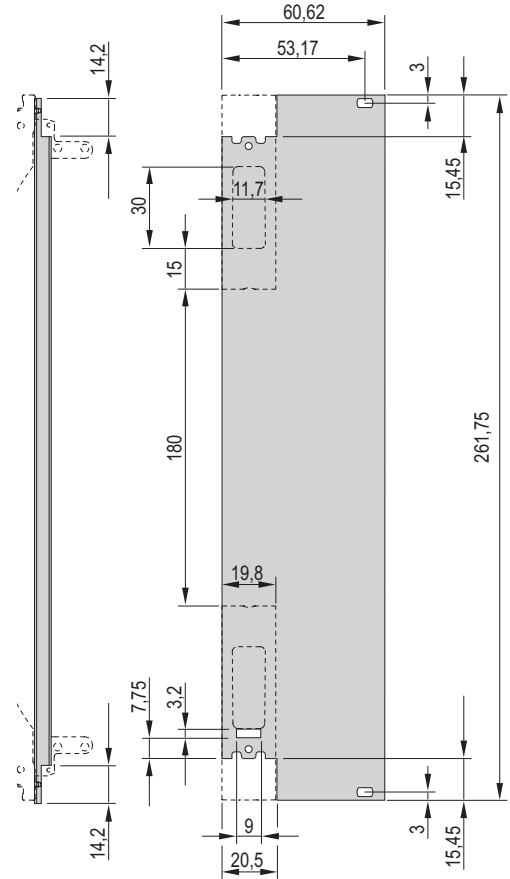
04605053

6 U/8 HP



04605054

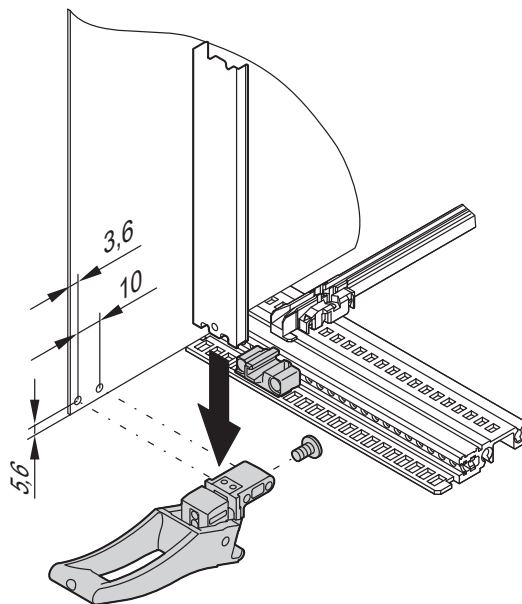
6 U/12 HP



04605055

DIMENSIONS

INSERTER/EXTRACTOR HANDLE, TYPE XL

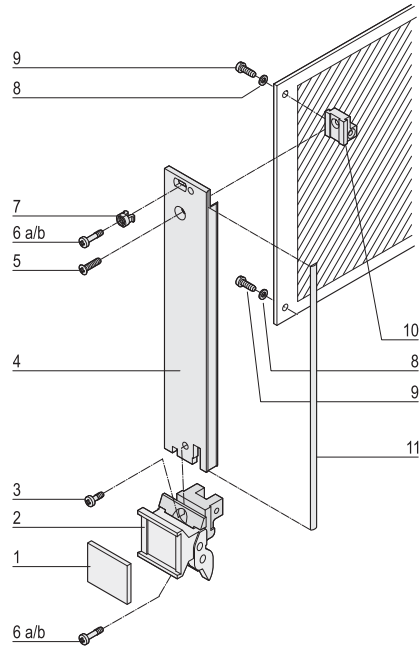


04608113

Plug-in units – for VME

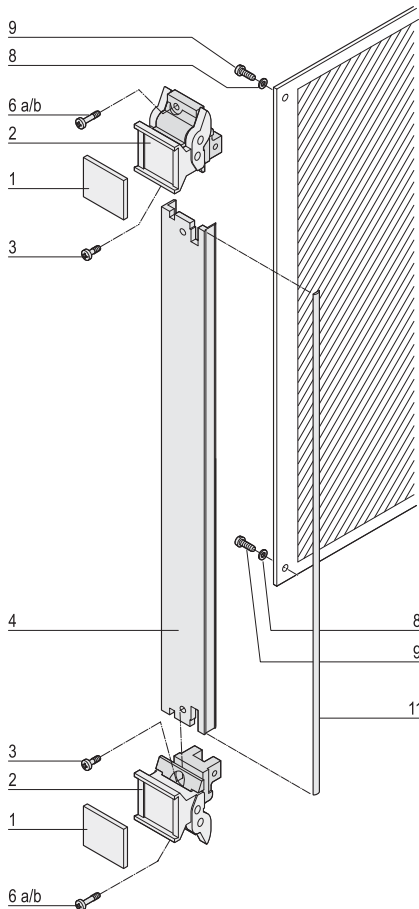
KITS
PLUG-IN UNITS WITH TRAPEZIFORM EXTRACTOR HANDLE, TYPE 2

3 U



04604050

6 U



04604051

- Shielded

DELIVERY COMPRISES (kit)

| Item | 3 U | | 6 U | | Description |
|------|------|------|------|------|---|
| | <8HP | ≥8HP | <8HP | ≥8HP | |
| 1 | 1 | 1 | 2 | 2 | Identification plate, Al, 1.5 mm, anodised, cut edges untreated |
| 2 | 1 | 1 | 2 | 2 | Extractor handle, trapeziform, type 2, lever: PPE, light grey, RAL 7035, block die-cast zinc, nickel-plated, with integrated alignment pin for perforated strip |
| 3 | 1 | 1 | 2 | 2 | Pozidrive flathead screw, St, M2.5 x 6, nickel-plated |
| 4 | 1 | 1 | 1 | 1 | Front panel, U profile, Al, front anodised, rear conductive |
| 5 | 1 | 1 | – | – | Raised Pozidrive countersunk screw M2.5 x 8, St, nickel-plated |
| 6a | 2 | 4 | 2 | 4 | Pozidrive collar screw, M2.5 x 12.3, St, nickel-plated, |
| 6b | 2 | 4 | 2 | 4 | collar screw, Pozidrive/slot, M2.5 x 11, St, nickel-plated, |
| 7 | 1 | 3 | – | 2 | Sleeve, PA, grey |
| 8 | 2 | 2 | 2 | 2 | Washer A 2.7, DIN 125 |
| 9 | 2 | 2 | 2 | 2 | Panhead screw with Torx/slot, M2.5 x 6, St, zinc-plated, self-locking |
| 10 | 1 | 1 | – | – | Board support, die-cast zinc |
| 11 | 1 | 1 | 1 | 1 | EMC sealing (textile), core: foam, sleeve: textile cladding, Cu-Ni coated |

ORDER INFORMATION

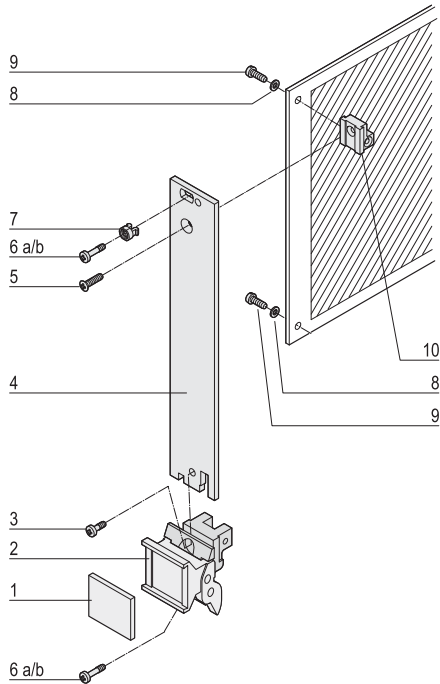
| Height | Width | Part no. |
|--------|-------|------------------|
| U | HP | |
| 3 | 4 | 20848-686 |
| 3 | 6 | 20848-687 |
| 3 | 8 | 20848-688 |
| 3 | 10 | 20848-689 |
| 3 | 12 | 20848-690 |
| 6 | 4 | 20848-691 |
| 6 | 6 | 20848-692 |
| 6 | 8 | 20848-693 |
| 6 | 10 | 20848-694 |
| 6 | 12 | 20848-695 |

- Dimension drawings of front profile see page 7.38
- Description of microswitch see page 7.31

Plug-in units – for VME

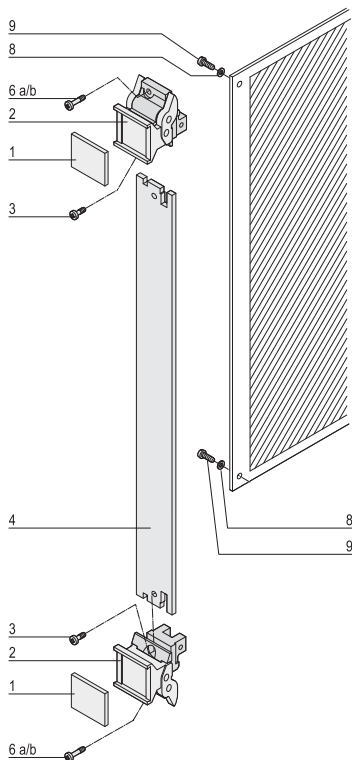
KITS

3 U



04604052

6 U



04604053

PLUG-IN UNITS WITH TRAPEZIFORM EXTRACTOR HANDLE, TYPE 2

- Unshielded

DELIVERY COMPRISES (kit)

| Item | Qty | | | | Description |
|------|------|------|------|------|--|
| | 3 U | | 6 U | | |
| | <8HP | ≥8HP | <8HP | 8 HP | |
| 1 | 1 | 1 | 2 | 2 | Identification plate, Al, 1.5 mm, anodised, cut edges plain |
| 2 | 1 | 1 | 2 | 2 | Extractor handle, trapeziform, type 2, lever: PPE, light grey, RAL 7035, block: die-cast zinc, nickel-plated |
| 3 | 1 | 1 | 2 | 2 | Flathead screw M2.5 x 6, nickel-plated |
| 4 | 1 | 1 | 1 | 1 | Front panel, Al, 2.5 mm, front: anodised, rear: iridescent green chromated |
| 5 | 1 | 1 | - | - | Raised Pozidrive countersunk screw, M2.5 x 8, St, nickel-plated |
| 6a | 2 | 4 | 2 | 4 | Slotted Pozidrive collar screw, M2.5 x 12.3, St, nickel-plated, |
| 6b | 2 | 4 | 2 | 4 | slotted Pozidrive collar screw, M2.5 x 11, St, nickel-plated |
| 7 | 1 | 3 | - | 2 | Sleeve, PA, grey |
| 8 | 2 | 2 | 2 | 2 | Washer A 2.7, DIN 125 |
| 9 | 2 | 2 | 2 | 2 | Slotted Torx panhead screw, M2.5 x 6, St, zinc-plated, self-locking |
| 10 | 1 | 1 | - | - | Board support, die-cast zinc |

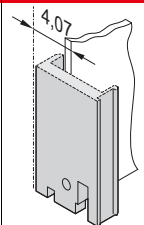
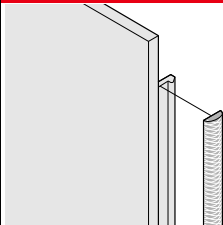
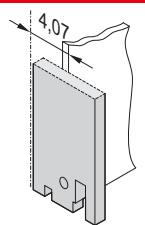
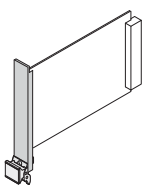
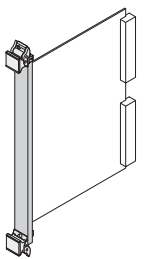
ORDER INFORMATION

| Height U | Width HP | Part no. |
|----------|----------|------------------|
| 3 | 4 | 20817-860 |
| 3 | 5 | 20817-861 |
| 3 | 6 | 20817-862 |
| 3 | 7 | 20817-863 |
| 3 | 8 | 20817-864 |
| 3 | 10 | 20817-865 |
| 3 | 12 | 20817-866 |
| 6 | 4 | 20817-867 |
| 6 | 5 | 20817-868 |
| 6 | 6 | 20817-869 |
| 6 | 7 | 20817-870 |
| 6 | 8 | 20817-871 |
| 6 | 10 | 20817-872 |
| 6 | 12 | 20817-873 |

- Dimension drawing of front profile see page 7.38
- Description of microswitch see page 7.31

Plug-in units – for VME

INDIVIDUAL COMPONENTS
U FRONT PROFILES/FRONT PANELS FOR TRAPEZIFORM EXTRACTOR HANDLE, TYPE 2
ORDER INFORMATION

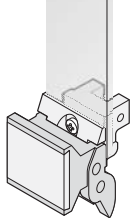
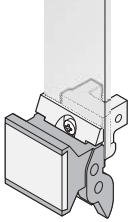
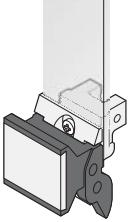
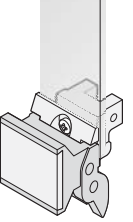
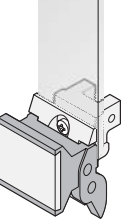
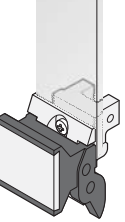
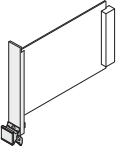
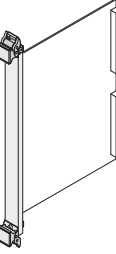
| | Front panel, U profile, shieldable | Textile EMC gasket | | Front panel, flat, unshielded | |
|---|--|--|------------------|---|------------------|
| |  <p>04608060</p> <p>Al extrusion, 2.5 mm, front anodised, rear conductive; alignment pin pressed-in (3 U only), stainless steel; manufacturing process causes various surface structures to appear between 4 to 12 HP and 14 to 16 HP</p> |  <p>BGA45760</p> <p>always fixed laterally on the front panel, in the groove of the profile, textile gasket, core: foam, sleeve: textile cladding with CuNi coating, UL 94 V-0, temperature range -40 ... 70 °C</p> | |  <p>04608063</p> <p>Front panel, Al, 2.5 mm, front anodised, rear iridescent green chromated</p> | |
| Width HP | 1 piece (SPQ 5) ¹⁾ | PU 10 pieces | PU 100 pieces | 1 piece (SPQ 5) ¹⁾ | |
| 3 U Height | | | | | |
|  <p>04608109</p> | 4 | 30848-312 | 21101-853 | 21101-854 | 30848-327 |
| | 5 | 30848-300 | | | 30848-328 |
| | 6 | 30848-313 | | | 30848-329 |
| | 7 | 30848-301 | | | 30848-330 |
| | 8 | 30848-314 | | | 30848-331 |
| | 10 | 30848-315 | | | 30848-333 |
| | 12 | 30848-316 | | | 30848-335 |
| 6 U Height | | | | | |
|  <p>04608107</p> | 4 | 30848-317 | 21101-855 | 21101-856 | 30848-336 |
| | 5 | 30848-304 | | | 30848-337 |
| | 6 | 30848-318 | | | 30848-338 |
| | 7 | 30848-305 | | | 30848-339 |
| | 8 | 30848-319 | | | 30848-340 |
| | 10 | 30848-320 | | | 30848-342 |
| | 12 | 30848-321 | | | 30848-344 |
| Dimensions see page | 7.38 | | | 7.36 | |

1) SPQ (standard pack quantity): Part number includes 1 piece, but delivery is exclusively made in standard pack quantity (SPQ); please order at least the SPQ quantity or a multiple

Part no. includes one packing unit (PU); delivery is exclusively made in PU

Plug-in units – for VME

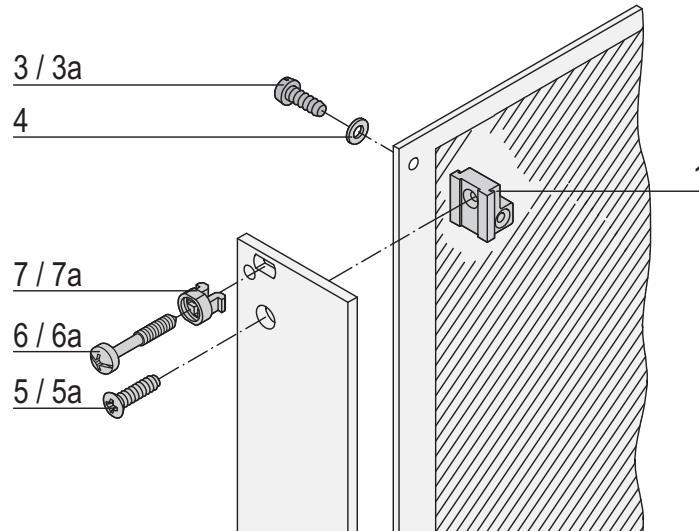
INDIVIDUAL COMPONENTS
EXTRACTOR HANDLE, TRAPEZIFORM, TYPE 2
ORDER INFORMATION

| | Trapeziform extractor handle, type 2 without alignment pin | | | Trapeziform extractor handle, type 2 with alignment pin | | |
|---|--|---|---|--|---|---|
| | lever, light grey, RAL 7035 | lever, dark grey, RAL 7032 | lever, black, RAL 9005 | lever, light grey, RAL 7035 | lever, dark grey, RAL 7032 | lever, black, RAL 9005 |
| |  |  |  |  |  |  |
| | Extractor handle, PPE; block, die-cast zinc, zinc-plated; identification plate, Al, 1.5 mm, anodised, cut edges plain; Pozidrive flat-head screw, M2.5 x 6, nickel-plated; slotted Pozidrive collar screw, M2.5 x 12.3, St, nickel-plated; slotted Pozidrive collar screw, M2.5 x 11, St, nickel-plated, | | | Extractor handle, PPE; block, die-cast zinc, zinc-plated; identification plate, Al, 1.5 mm, anodised, cut edges plain; Pozidrive flat-head screw, M2.5 x 6, nickel-plated; slotted Pozidrive collar screw, M2.5 x 12.3, St, nickel-plated; slotted Pozidrive collar screw, M2.5 x 11, St, nickel-plated, | | |
| Width HP | 1 piece (SPQ 10) ¹⁾ | 1 piece (SPQ 10) ¹⁾ | 1 piece (SPQ 10) ¹⁾ | 1 piece (SPQ 10) ¹⁾ | 1 piece (SPQ 10) ¹⁾ | 1 piece (SPQ 10) ¹⁾ |
|  | 3 U Height bottom | | | | | |
| | 20817-858 | 20817-854 | 20817-856 | 20817-833 | 20817-829 | 20817-831 |
|  | 6 U Height top | | | | | |
| | 20817-858 | 20817-854 | 20817-856 | 20817-833 | 20817-829 | 20817-831 |
| | bottom | | | | | |
| | 20817-858 | 20817-854 | 20817-856 | 20817-833 | 20817-829 | 20817-831 |
| Dimensions see page | 7.39 | | | 7.39 | | |

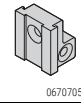
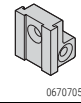

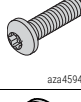

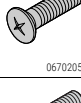
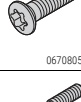
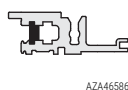
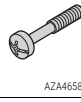
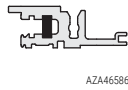
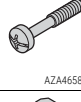
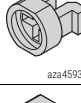

1) SPQ (standard pack quantity): Part number includes 1 piece, but delivery is exclusively made in standard pack quantity (SPQ); please order at least the SPQ quantity or a multiple

Part no. includes one packing unit (PU); delivery is exclusively made in PU

Plug-in units – for VME

INDIVIDUAL COMPONENTS
FIXING MATERIAL FOR TRAPEZIFORM EXTRACTOR HANDLE, TYPE 2
ORDER INFORMATION


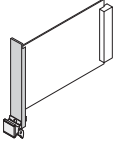
bga46045

| Fixing material | Item |  | Required quantity | | | | Qty/PU | Part no. | |
|--|------|---|---|--------|--------|--------|-----------------------------------|------------------|------------------|
| | | | 3 U | | 6 U | | | | |
| | | | < 8 HP | ≥ 8 HP | < 8 HP | ≥ 8 HP | | | |
| Printed board bracket Zn die-cast | 1 |  06707050 | 1 | 1 | – | – | 1 Stück (LLG 10) ¹⁾ | 60807-181 | |
| Pozidrive panhead screw M2.5 × 6, St, nickel-plated | 3 |  AZA45177 | 2 | 2 | 2 | 2 | 100 | 21101-219 | |
| Slotted panhead screw with Torx 8 M2.5 × 6, St, zinc-plated Self-securing thread | 3a |  aza45940 | 2 | 2 | 2 | 2 | 100 | 24560-159 | |
| Washer 2.7, St, nickel-plated | 4 |  AZA46586 | 2 | 2 | 2 | 2 | 100 | 21100-721 | |
| Raised Pozidrive countersunk panhead screw M2.5 × 8, St, nickel-plated | 5 |  06702056 | 1 | 1 | – | – | 100 | 21100-429 | |
| Raised countersunk panhead screw with Torx 8 M2.5 × 8, St, nickel-plated | 5a |  06708050 | 1 | 1 | – | – | 100 | 24560-164 | |
| Slotted Pozidrive collar screw M2.5 × 11, St, nickel-plated | 6 |  AZA46586 |  AZA46586 | 1 | 3 | – | 2 | 100 | 21100-748 |
| Slotted Pozidrive collar screw M2.5 × 12.3, St, nickel-plated | 6a |  AZA46586 |  AZA46586 | 1 | 3 | – | 2 | 100 | 21101-101 |
| Plastic sleeve, for form hole 5.9 x 3.3 PA, UL 90 V-2, grey | 7 |  aza45933 | 1 | 3 | – | 2 | 100 | 21100-464 | |
| Metal sleeve, for form hole 5.9 x 3.3, press-in Stainless steel | 7a |  aza45934 | 1 | 3 | – | 2 | 100 | 21100-662 | |

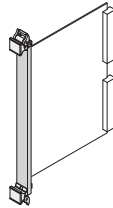
1) SPQ (standard pack quantity): Part number includes 1 piece, but delivery is exclusively made in standard pack quantity (SPQ); please order at least the SPQ quantity or a multiple

Part number in bold face type: ready for despatch within 2 working days
Part number in normal type: ready for despatch within 10 working days

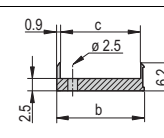
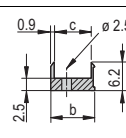
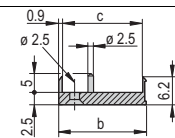
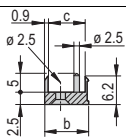
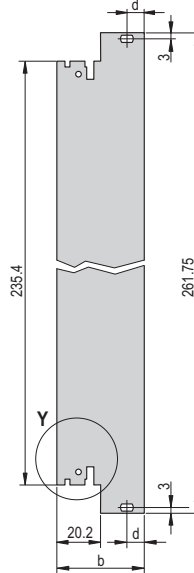
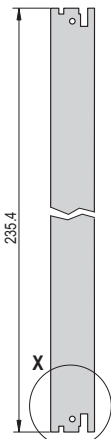
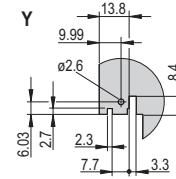
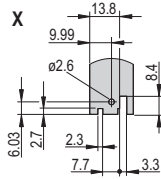
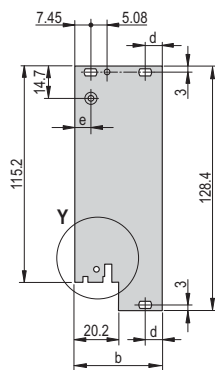
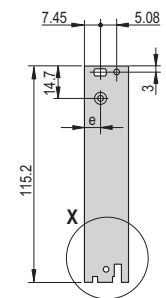
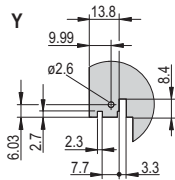
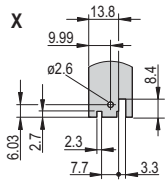
Plug-in units – for VME

DIMENSIONS
FRONT PANELS, U PROFILES, FOR TRAPEZIFORM EXTRACTOR HANDLES, TYPE 2
3 U


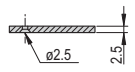
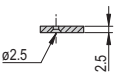
04608109

6 U


04608107



shieldable



unshielded

4 HP

≥5 HP

04608064 04608077

4 HP

≥5 HP

04608065 04608078

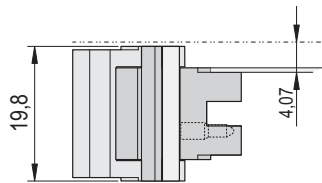
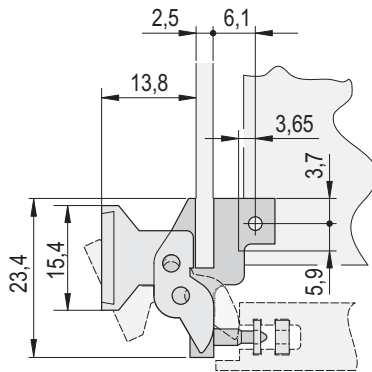
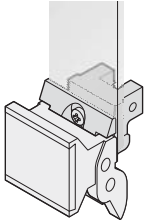
Dimensions table

| Width HP | b mm | c mm | d mm |
|-------------|---------|---------|---------|
| 4 | 19.98 | 17.45 | – |
| 5 | 25.06 | 22.53 | – |
| 6 | 30.14 | 27.61 | – |
| 7 | 35.22 | 32.69 | – |
| 8 | 40.30 | 37.77 | 7.45 |
| 9 | 45.38 | 42.85 | 7.45 |
| 10 | 50.46 | 47.93 | 7.45 |
| 11 | 55.54 | 53.01 | 7.45 |
| 12 | 60.62 | 58.09 | 7.45 |
| 14 | 70.78 | 68.25 | 7.45 |
| 16 | 80.94 | 78.41 | 7.45 |

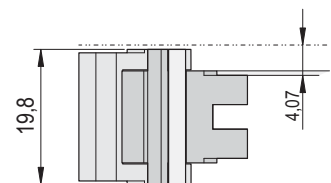
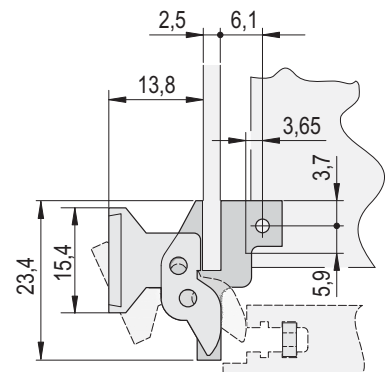
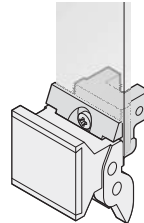
Plug-in units – for VME

DIMENSION DRAWINGS EXTRACTOR HANDLE, TRAPEZIFORM, TYPE 2

with alignment pin



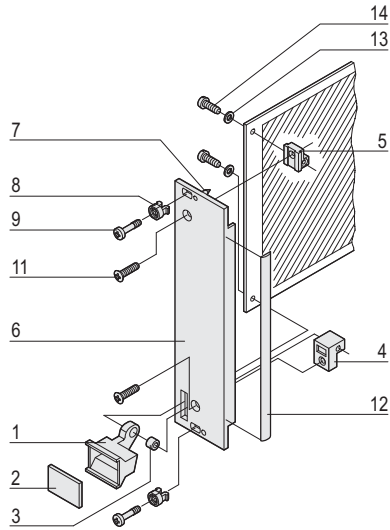
without alignment pin



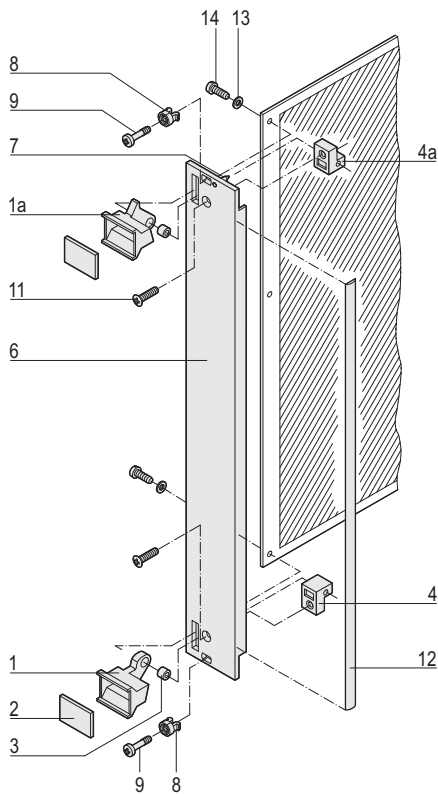
Plug-in units – for VME

KITS

3 U



6 U



04602058

04602059

PLUG-IN UNITS WITH TRAPEZIFORM EXTRACTOR HANDLE, TYPE 1 – FRONT PANEL, U-PROFILE, SHIELDED

- At 6 U the board position can be offset by 1 HP to the right by swapping the top and bottom board supports; thus space is created for SMD components on the left (solder) side; for board thickness 1.6 mm only

DELIVERY COMPRISES (kit)

| Item | Qty | Description | |
|------|-----|-------------|--|
| | 3 U | 6 U | |
| 1 | 1 | 1 | Extractor handle, trapeziform type, PPE, grey, bottom |
| 1a | - | 1 | Extractor handle, trapeziform type, PPE, grey, top |
| 2 | 1 | 2 | Identification plate, Al, 1.5 mm, anodised, cut edges plain |
| 3 | 1 | 2 | Pivot bush, Ms |
| 4 | 1 | 1 | Board support, die-cast zinc, bottom |
| 4a | - | 1 | Board support, die-cast zinc, top |
| 5 | 1 | - | Board support, die-cast zinc |
| 6 | 1 | 1 | Front panel, U profile, for trapeziform extractor handle, front anodised, rear conductive |
| 7 | 2 | 2 | Alignment pin, pressed-in, stainless steel |
| 8 | 2 | 2 | Sleeve, PA, grey, up to 7 HP front panel width |
| 8 | 4 | 4 | Sleeve, PA, grey, from 8 HP front panel width |
| 9 | 2 | 2 | Collar screw, Pozidrive/slot, St, nickel-plated, M2.5 x 12.3, front panel width up to 7 HP |
| 9 | 4 | 4 | Collar screw, Pozidrive/slot, St, nickel-plated, M2.5 x 12.3, front panel width from 8 HP |
| 11 | 1 | 2 | Raised countersunk panhead screw, M2.5 x 8 |
| 12 | 1 | 1 | EMC gasket (textile) |
| 13 | 2 | 2 | Washer, A2.7, DIN 125 |
| 14 | 2 | 2 | Pozidrive flathead screw, St, nickel-plated, M2.5 x 10 |

ORDER INFORMATION

| Width | 3 U | 6 U |
|-------|------------------|------------------|
| HP | Part no. | Part no. |
| 4 | 20848-485 | 20848-492 |
| 6 | 20848-487 | 20848-494 |
| 8 | 20848-489 | 20848-496 |
| 10 | 20848-490 | 20848-497 |
| 12 | 20848-491 | 20848-498 |

NOTE

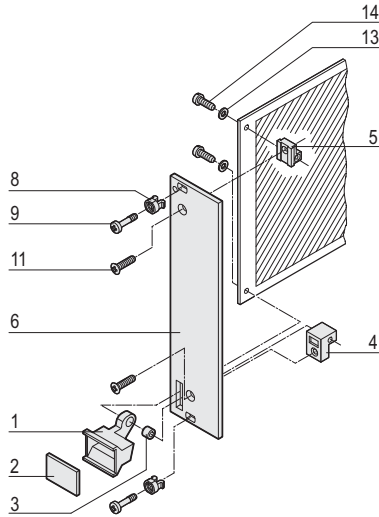
- Dimension front panel see page 7.45

Plug-in units – for VME

KITS

PLUG-IN UNITS WITH TRAPEZIFORM EXTRACTOR HANDLE, TYPE 1 – FRONT PANEL UNSHIELDED

3 U



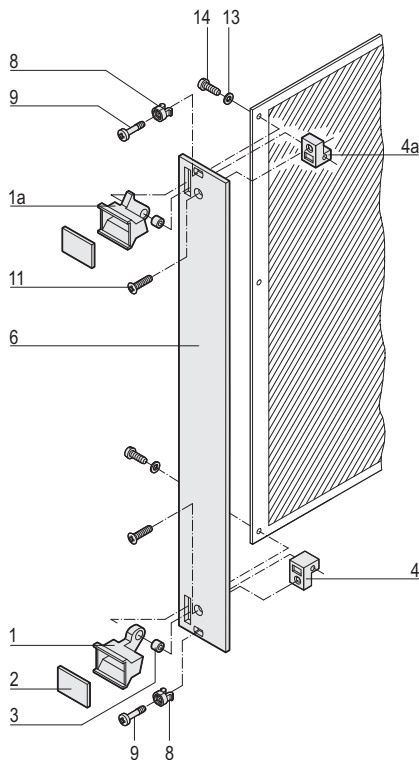
04602060

- At 6 U the board position can be offset by 1 HP to the right by swapping the top and bottom board supports; thus space is created for SMD components on the left (solder) side; for board thickness 1.6 mm only

DELIVERY COMPRISES (kit)

| Item | Qty | | Description |
|------|-----|-----|---|
| | 3 U | 6 U | |
| 1 | 1 | 1 | Extractor handle, trapezium shape, PPE, grey, bottom |
| 1a | – | 1 | Extractor handle, trapezium shape, PPE, grey, top |
| 2 | 1 | 2 | Identification plate, Al, 1.5 mm, anodised, cut edges plain |
| 3 | 1 | 2 | Pivot bush, Ms |
| 4 | 1 | 1 | Board support, die-cast zinc, bottom |
| 4a | – | 1 | Board support, die-cast zinc, top |
| 5 | 1 | – | Board support, die-cast zinc |
| 6 | 1 | 1 | Front panel for trapeziform extractor handle, front anodised, rear iridescent green chromated |
| 8 | 2 | 2 | Sleeve, PA, grey, up to 7 HP front panel width |
| 8 | 4 | 4 | Sleeve, PA, grey, from 8 HP front panel width |
| 9 | 2 | 2 | Collar screw, Pozidrive/slot, St, nickel-plated, M2.5 x 11 and 12.3, front panel width up to 7 HP |
| 9 | 4 | 4 | Collar screw, Pozidrive/slot, St, nickel-plated, M2.5 x 11 and 12.3, front panel width from 8 HP |
| 11 | 1 | 2 | Raised countersunk panhead screw, M2.5 x 8 |
| 13 | 2 | 2 | Washer, A2.7, DIN 125 |
| 14 | 2 | 2 | Pozidrive flathead screw, St, nickel-plated, M2.5 x 10 |

6 U



04602061

ORDER INFORMATION

| Width HP | 3 U | | 6 U | |
|-------------|------------------|------------------|----------|----------|
| | Part no. | Part no. | Part no. | Part no. |
| 4 | 20817-443 | 20817-448 | | |
| 5 | 20817-444 | 20817-449 | | |
| 6 | 20817-445 | 20817-450 | | |
| 7 | 20817-446 | 20817-451 | | |
| 8 | 20817-447 | 20817-452 | | |
| 10 | 20817-456 | 20817-458 | | |
| 12 | 20817-457 | 20817-459 | | |

NOTE

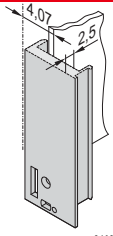
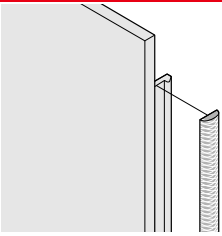
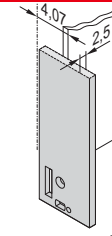
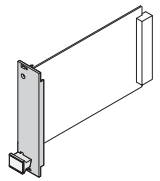
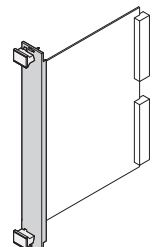
- Dimension front panel see page 7.45

Plug-in units – for VME

INDIVIDUAL COMPONENTS

FRONT PANELS AND EMC GASKETS, FOR TRAPEZOIDAL EXTRACTOR HANDLE, TYPE 1

ORDER INFORMATION

| | Front panel, U profile, shieldable | Textile EMC gasket | | Front panel, unshielded | |
|---|---|--|------------------|--|------------------|
| |  <p>04608091</p> <p>Al profile, front anodised, rear conductive, alignment pin pressed-in, stainless steel</p> |  <p>BGA45760</p> <p>always fixed laterally on the front panel, in the groove of the profile, textile gasket, core: foam, sleeve: textile cladding with CuNi coating, UL 94 V-0, temperature range -40 ... 70 °C</p> | |  <p>04608092</p> <p>front panel, Al, 2.5 mm, front anodised, rear iridescent green chromated</p> | |
| Width HP | 1 piece (SPQ 5) ¹⁾ | PU 10 pieces | PU 100 pieces | 1 piece (SPQ 5) ¹⁾ | |
| 3 U Height | | | | | |
|  <p>04608117</p> | 4 | 30848-461 | 21101-853 | 21101-854 | 30847-659 |
| | 5 | - | | | 30847-660 |
| | 6 | 30848-463 | | | 30847-661 |
| | 7 | - | | | 30847-662 |
| | 8 | 30848-465 | | | 30847-663 |
| | 10 | 30848-466 | | | 30847-664 |
| | 12 | 30848-467 | | | 30847-665 |
| 6 U Height | | | | | |
|  <p>04608116</p> | 4 | 30848-468 | 21101-855 | 21101-856 | 30847-666 |
| | 5 | - | | | 30847-667 |
| | 6 | 30848-470 | | | 30847-668 |
| | 7 | - | | | 30847-669 |
| | 8 | 30848-472 | | | 30847-670 |
| | 10 | 30848-473 | | | 30847-671 |
| | 12 | 30848-474 | | | 30847-672 |
| Dimensions see page | 7.45 | | | 7.45 | |

1) SPQ (standard pack quantity): Part number includes 1 piece, but delivery is exclusively made in standard pack quantity (SPQ); please order at least the SPQ quantity or a multiple

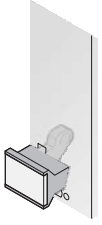

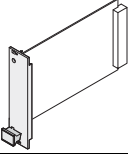
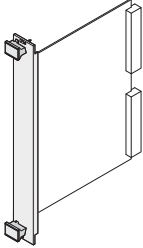
Part no. includes one packing unit (PU); delivery is exclusively made in PU

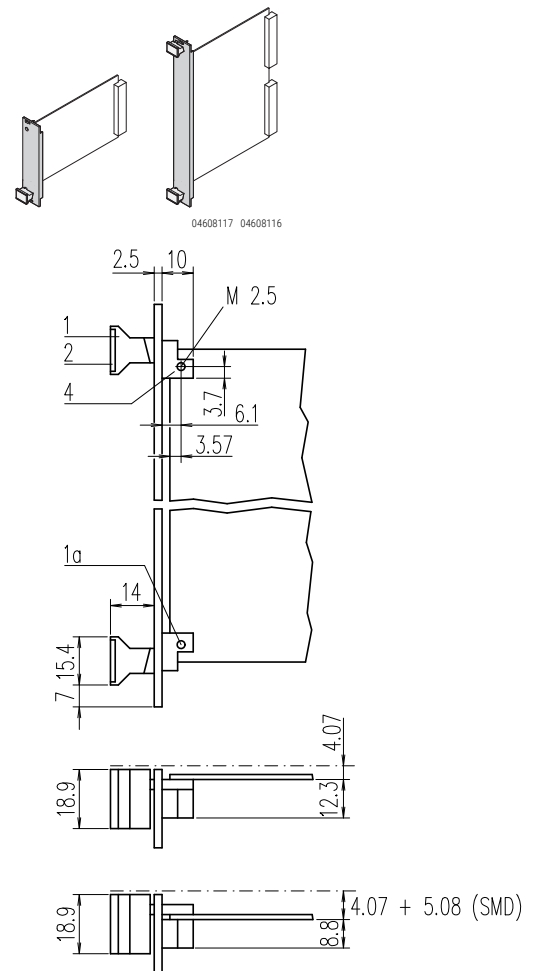
Plug-in units – for VME

INDIVIDUAL COMPONENTS

TRAPEZIFORM EXTRACTOR HANDLES, TYPE 1

ORDER INFORMATION

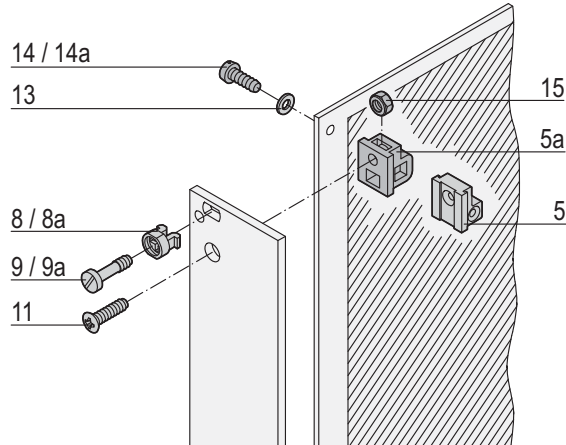
| | Trapeziform extractor handle | |
|---|---|---|
| | black | grey |
| |  |  |
| | 04608093 | 04608094 |
| | <p>handle closed laterally, PPE, UL 94 V-1, black; pivot bush; identification plate, Al, 1.5 mm, anodised, cut edges plain; board support die-cast zinc; in the 6 U version, space can be created for SMD components on the left side by swapping the top and bottom handles and thus moving the PCB position 1 HP to the right</p> | |
| Width HP | 1 piece (SPQ 10) ¹⁾ | 1 piece (SPQ 10) ¹⁾ |
|  | 3 U Height | |
| | top | |
| | 20817-329 | 20817-327 |
|  | 6 U Height | |
| | top | |
| | 20817-330 | 20817-328 |
| | bottom | |
| | 20817-329 | 20817-327 |



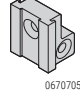
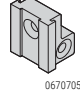

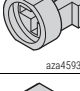



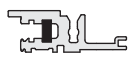









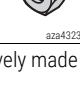
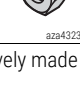
1) SPQ (standard pack quantity): Part number includes 1 piece, but delivery is exclusively made in standard pack quantity (SPQ); please order at least the SPQ quantity or a multiple

bga42556

Plug-in units – for VME

INDIVIDUAL COMPONENTS
FIXING MATERIAL FOR TRAPEZIFORM EXTRACTOR HANDLE, TYPE 1
ORDER INFORMATION


bga42545

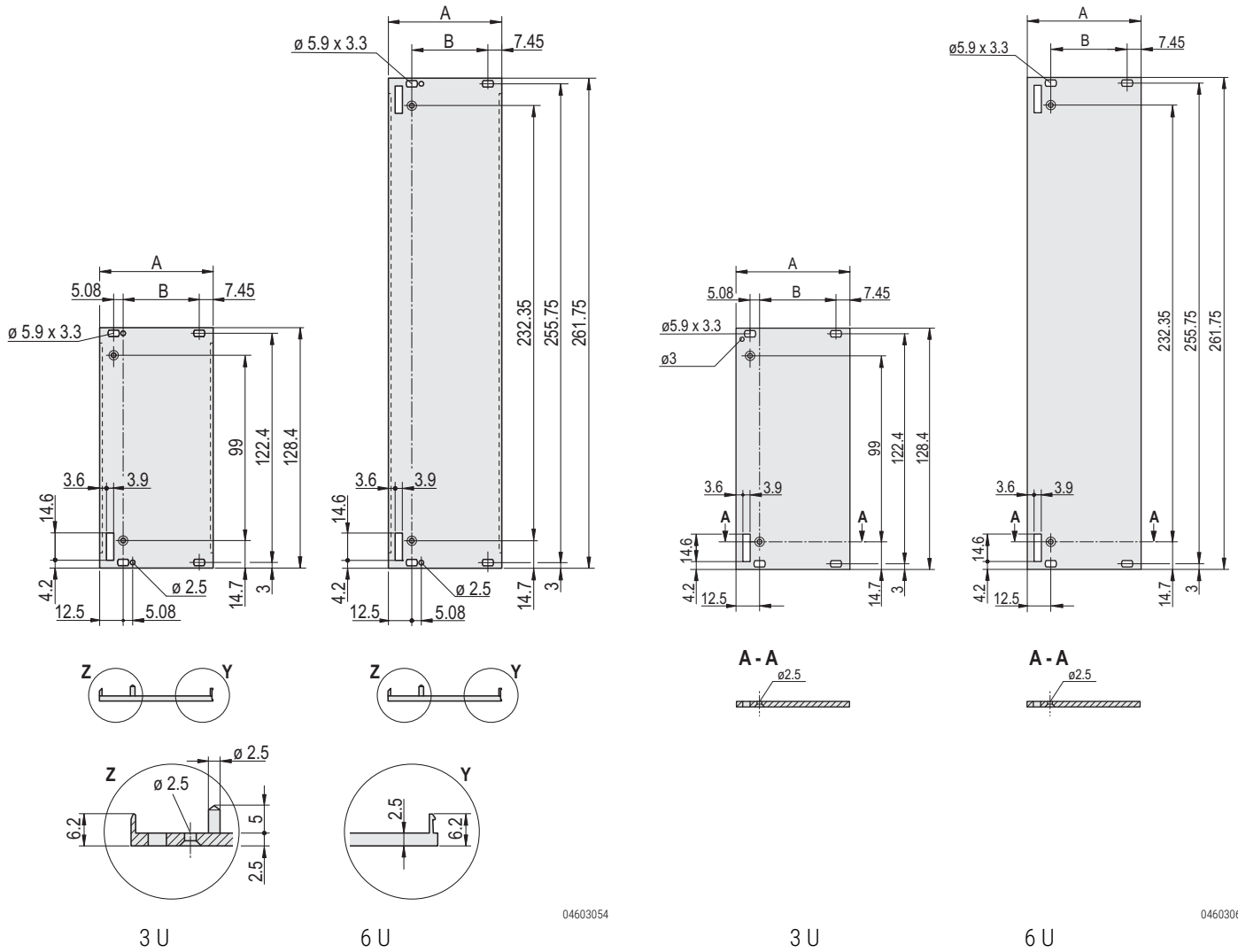
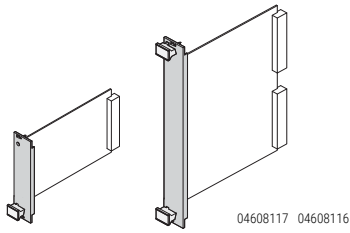
| Fixing material | Item |  | Required Qty | | | | Qty/PU | Part no. | |
|--|------|---|---|--------|--------|--------|--------------------------------|------------------|------------------|
| | | | 3 U | | 6 U | | | | |
| | | | < 8 HP | ≥ 8 HP | < 8 HP | ≥ 8 HP | | | |
| Board support, die-cast zinc, with thread M2.5, for front panel and PCB fixing | 5 |  06707050 | 1 | 2 | 2 | 4 | 1 piece (SPQ 10) ¹⁾ | 60807-181 | |
| Board support, plastic, PBT, UL 94 V-0, grey, with recess for hexagon nut M2.5, for fixing front panel | 5a |  AZA45177 | 1 | 2 | 2 | 4 | 1 piece (SPQ 10) ¹⁾ | 60807-183 | |
| Plastic sleeve, for form hole 5.9 x 3.3 PA, UL 90 V-2, grey | 8 |  aza45933 | 2 | 4 | 2 | 4 | 100 | 21100-464 | |
| Metal sleeve, for form hole 5.9 x 3.3, press-in Stainless steel | 8a |  aza45934 | 2 | 4 | - | - | 100 | 21100-662 | |
| Pozidrive/slotted collar screw M2.5 x 11, St, nickel-plated | 9 |  AZA46586 |  AZA46586 | 2 | 4 | 2 | 4 | 100 | 21100-748 |
| Pozidrive/slotted collar screw M2.5 x 12.3, St, nickel-plated | 9a |  AZA46586 |  AZA46586 | 2 | 4 | 2 | 4 | 100 | 21101-101 |
| Raised Pozidrive countersunk screw M2.5 x 8, St, nickel-plated | 11 |  06702056 |  06702056 | 2 | 2 | 2 | 2 | 100 | 21100-429 |
| Washer 2.7 DIN 125, St, nickel-plated, 100 pieces | 13 |  AZA46586 |  AZA46586 | 2 | 2 | 2 | 2 | 100 | 21100-721 |
| Pozidrive panhead screw M2.5 x 10, St, nickel-plated for item 5 | 14 |  AZA45177 |  AZA45177 | 2 | 2 | 2 | 2 | 100 | 21101-220 |
| Panhead screw, self-tapping 2.5 x 8, St, zinc-plated for item 5b | 14a |  06702057 |  06702057 | 1 | 1 | - | - | 100 | 21100-710 |
| Hexagon nut M2.5, nickel-plated steel for item 5b | 15 |  aza43239 |  aza43239 | 1 | 1 | - | - | 100 | 21100-144 |

¹⁾ SPQ (standard pack quantity): Part number includes 1 piece, but delivery is exclusively made in standard pack quantity (SPQ); please order at least the SPQ quantity or a multiple

Plug-in units – for VME

DIMENSIONS

FRONT PANELS FOR TRAPEZOIDAL EXTRACTOR HANDLES, TYPE 1, SHIELDED/UNSHIELDED

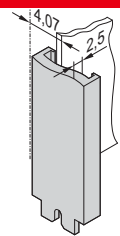
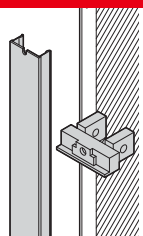
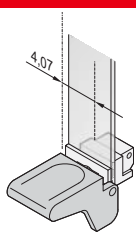
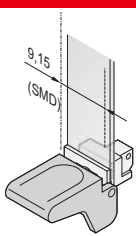
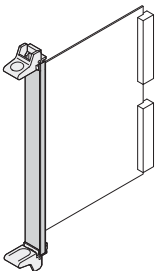


Dimensions table

| Width HP | A mm | B mm |
|-------------|---------|---------|
| 4 | 19.98 | - |
| 5 | 25.06 | - |
| 6 | 30.14 | - |
| 7 | 35.22 | - |
| 8 | 40.30 | 20.32 |
| 10 | 50.46 | 30.48 |
| 12 | 60.62 | 40.64 |

Plug-in units – for Multibus II

INDIVIDUAL COMPONENTS
FRONT PANELS/EXTRACTOR HANDLES FOR MULTIBUS® II, SYMMETRICAL/SMDVERSION
ORDER INFORMATION

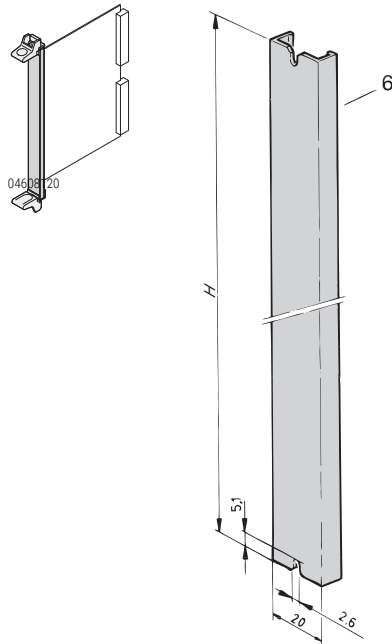
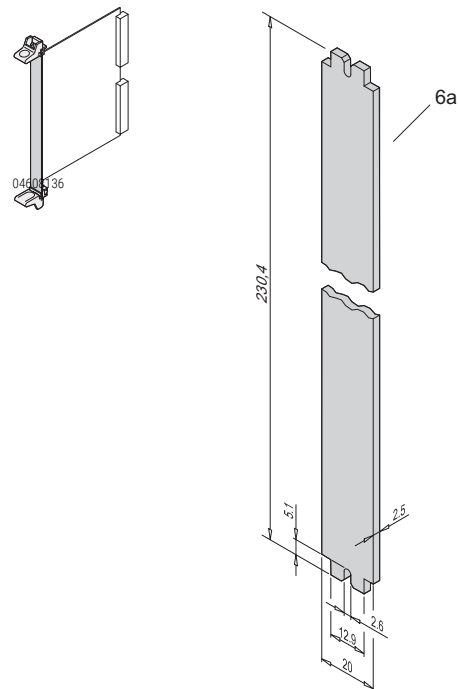
| | | U front profile | Mounting block for D-Sub connector (50 pin) | Extractor handle for Multibus® II symmetrical handle grey, RAL 7032 | SMD handle grey, RAL 7032 | |
|---|-------------------|---|---|--|---|--|
| | |  <p>Al extrusion, 1 mm</p> <p>04608095</p> |  <p>for fixing D-Sub connectors 50-pin, thread on front UNC4/40; required quantity: for 6 U 1x, for 9 U 2x</p> <p>04608098</p> |  <p>04608098</p> |  <p>04608099</p> <p>04608108</p> | |
| | | Width HP | 1 piece (SPQ 5) ¹⁾ | 1 piece (SPQ 10) ¹⁾ | 1 piece (SPQ 10) ¹⁾ | |
|  <p>04608120</p> | 6 U Height | | | 6 U Height | | |
| | 4 | 30829-001 | 60829-008 | top | | |
| | | | | 20829-011 | 20829-004 | |
| | | | | | bottom | |
| | 20829-011 | 20829-003 | | | | |
| | 9 U Height | | | 9 U Height | | |
| | 4 | 30829-007 | 60829-008 | top | | |
| | | | | 20829-011 | 20829-004 | |
| | | | | bottom | | |
| 20829-011 | 20829-003 | | | | | |
| Dimensions see page | | 7.47 | 7.47 | 7.47 | 7.47 | |

1) SPQ (standard pack quantity): Part number includes 1 piece, but delivery is exclusively made in standard pack quantity (SPQ); please order at least the SPQ quantity or a multiple

Part no. includes one packing unit (PU); delivery is exclusively made in PU

Plug-in units – for Multibus II

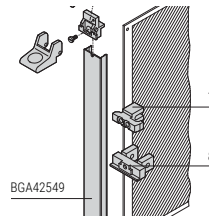
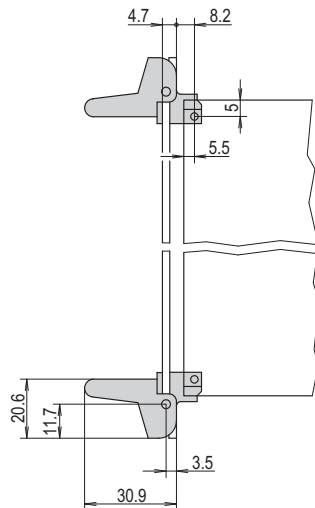
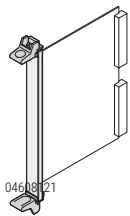
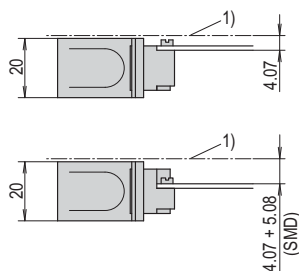
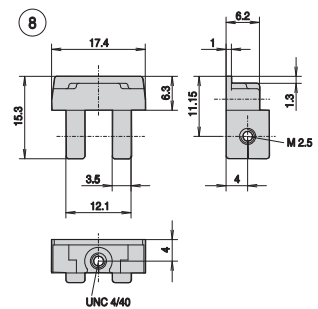
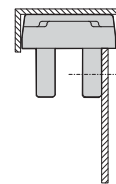
DIMENSION DRAWINGS FRONT PANELS, U PROFILE / FRONT PANEL FOR MULTIBUS® II

6/9 U

6 U

Dimensions table

| Height U | Height mm |
|----------|-----------|
| 6 | 230.4 |
| 9 | 363.7 |

A4-2580

BGA46120

DIMENSIONS
EXTRACTOR HANDLES, MOUNTING BLOCK FOR MULTIBUS® II

for D-Sub connector (50 pin)


gba42579

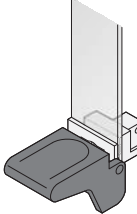
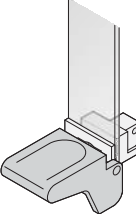
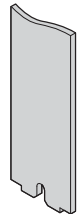
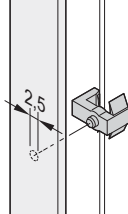
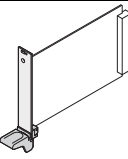
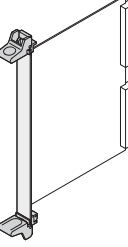
BGA42585

Plug-in units – for IEC 60297, key form 1

INDIVIDUAL COMPONENTS

EXTRACTOR HANDLES IN KEY FORM 1

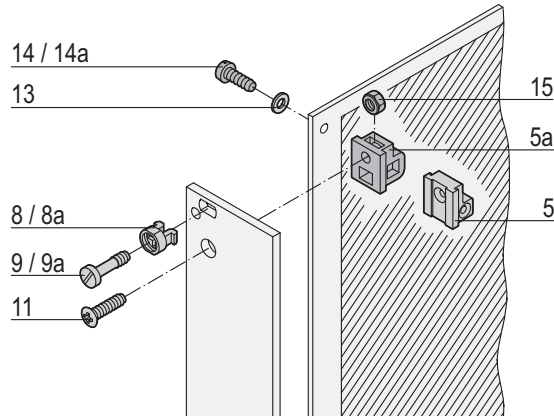
ORDER INFORMATION

| | Extractor handle | | Front panel | Fixing clip |
|---|---|---|---|---|
| | black | grey | | |
| |  |  |  |  |
| | 04608101 | 04608102 | 04608103 | bga#2544 |
| | <p>extractor handle in key form 1, PC, UL 94 V-0; bearing Zn die-cast, nickel-plated; slotted cheesehead screw, M2.5 x 6 (fitted); in the 6 U version, space can be created for SMD components on the left side by swapping the top and bottom handles and thus moving the PCB position 1 HP to the right</p> | | Al, 2.5 mm; available on request | for fixing PCB to the front panel (blind hole X2.6, depth 1.3 mm); also for SMD applications; clip, PPE, UL 94 V-0, red |
| Width HP | 1 piece (SPQ 10) ¹⁾ | 1 piece (SPQ 10) ¹⁾ | | PU 100 pieces |
|  | 3 U Height bottom | | | |
| 04608123 | 20817-345 | 20817-325 | – | – |
|  | 6 U Height top | | | |
| 04608122 | 20817-346 | 20817-326 | – | 21100-719 |
| | bottom | | | |
| | 20817-345 | 20817-325 | – | |
| Dimensions see page | 7.50 | 7.50 | 7.50 | |

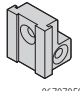
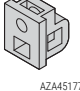
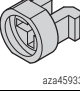

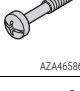



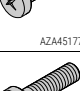

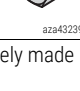
1) SPQ (standard pack quantity): Part number includes 1 piece, but delivery is exclusively made in standard pack quantity (SPQ); please order at least the SPQ quantity or a multiple

Part no. includes one packing unit (PU); delivery is exclusively made in PU

Plug-in units – for IEC 60297, key form 1

INDIVIDUAL COMPONENTS
FIXING MATERIAL FOR EXTRACTOR HANDLE IN KEY FORM 1
ORDER INFORMATION


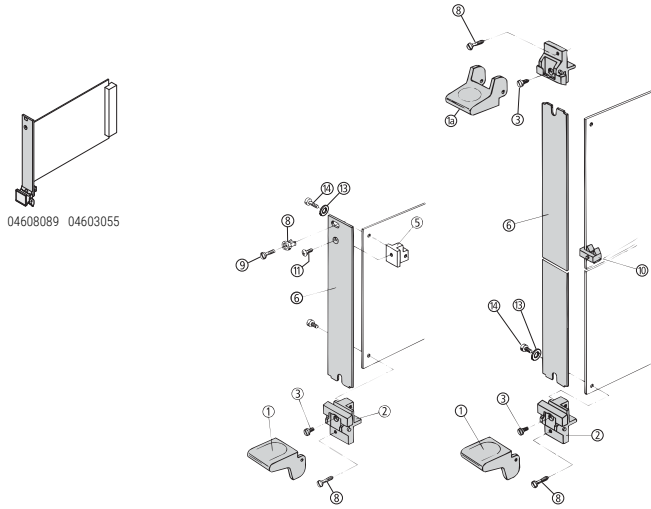
bga42545

| Fixing material | Item | Image | Required Qty | | Qty/PU | Part no. |
|--|------|---|--------------|-----|--------------------------------|------------------|
| | | | 3 U | 6 U | | |
| Board support, die-cast zinc, with thread M2.5, for front panel and PCB fixing | 5 |  | 1 | - | 1 piece (SPQ 10) ¹⁾ | 60807-181 |
| Board support, plastic, PBT, UL 94 V-0, grey, with recess for hexagon nut M2.5, for fixing front panel | 5a |  | 1 | - | 1 piece (SPQ 10) ¹⁾ | 60807-183 |
| Plastic sleeve, for form hole 5.9 x 3.3 PA, UL 90 V-2, grey | 8 |  | 1 | - | 100 | 21100-464 |
| Metal sleeve, for form hole 5.9 x 3.3, press-in Stainless steel | 8a |  | 1 | - | 100 | 21100-662 |
| Pozidrive/slotted collar screw M2.5 x 11, St, nickel-plated | 9 |  | 2 | 2 | 100 | 21100-748 |
| Pozidrive/slotted collar screw M2.5 x 12.3, St, nickel-plated | 9a |  | 2 | 2 | 100 | 21101-101 |
| Raised Pozidrive countersunk screw M2.5 x 8, St, nickel-plated | 11 |  | 1 | - | 100 | 21100-429 |
| Washer 2.7 DIN 125, St, nickel-plated, 100 pieces | 13 |  | 2 | 2 | 100 | 21100-721 |
| Pozidrive panhead screw M2.5 x 10, St, nickel-plated for item 5 | 14 |  | 2 | 2 | 100 | 21101-220 |
| Pan head screw, self-tapping 2.5 x 8, St, zinc-plated for item 5b | 14a |  | 1 | - | 100 | 21100-710 |
| Hexagon nut M2.5, nickel-plated steel for item 5b | 15 |  | 3 | 6 | 100 | 21100-144 |

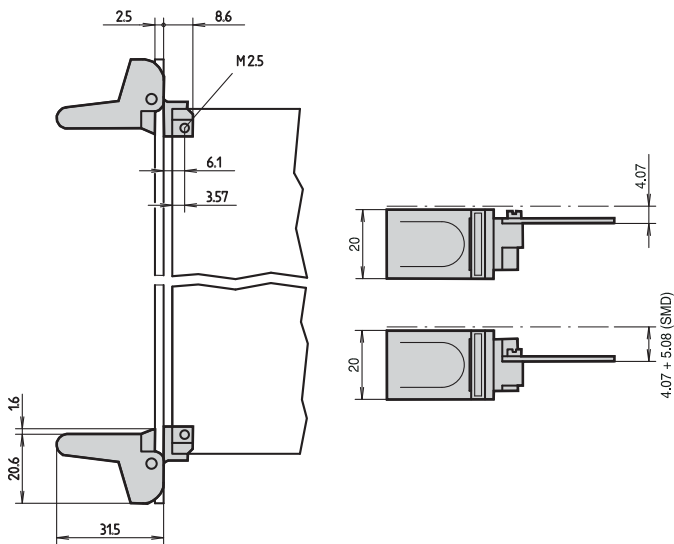
1) SPQ (standard pack quantity): Part number includes 1 piece, but delivery is exclusively made in standard pack quantity (SPQ); please order at least the SPQ quantity or a multiple

Plug-in units – for IEC 60297, key form 1

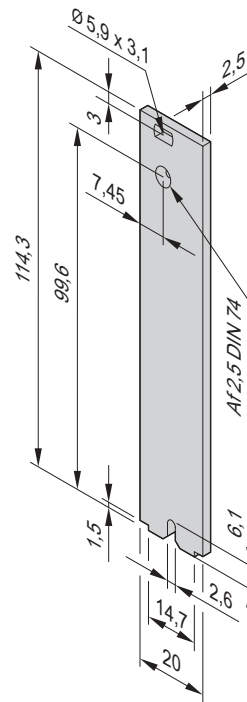
DIMENSIONS EXTRACTOR HANDLES/FRONT PANELS KEY FORM 1



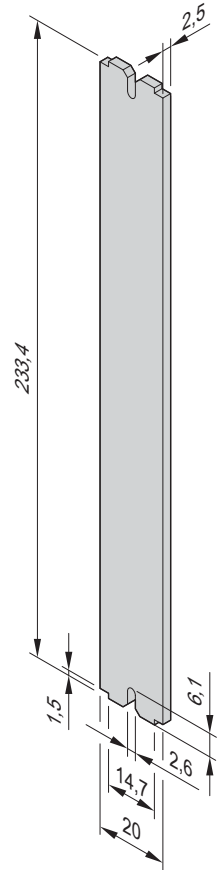
04608089 04603055



04603056



3 U



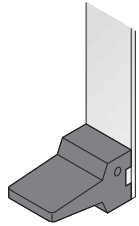

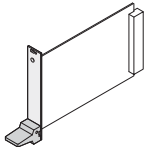
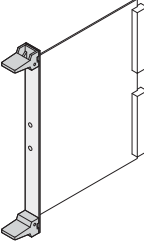
6 U

04603057

Plug-in units – for IEC 60297, key form 2

INDIVIDUAL COMPONENTS EXTRACTOR HANDLES IN KEY FORM 2

ORDER INFORMATION

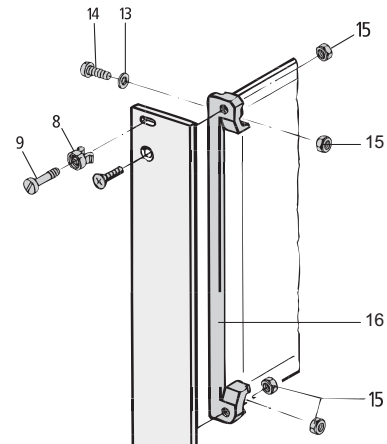
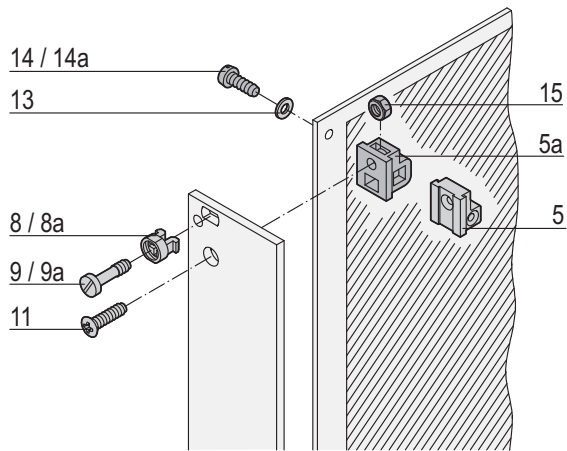
| | | |
|---|--|---|
| | Extractor handle black | Front panel |
| |  04608104 extractor handle, PBT, UL 90 V-0; bearing Zn die-cast, nickel- plated; incl. assembly kit for handle mounting |  04608106 Al, 2.5 mm; available on request |
| | Width HP | 1 piece (SPQ 10) ¹⁾ |
|  04608124 | 3 U Height top | 20808-137 - |
|  04608125 | 6 U Height top | 20808-137 - |
| | bottom | 20808-137 - |
| Dimensions see page | 7.53 | 7.53 |

1) SPQ (standard pack quantity): Part number includes 1 piece, but delivery is exclusively made in standard pack quantity (SPQ); please order at least the SPQ quantity or a multiple
 Part no. includes one packing unit (PU); delivery is exclusively made in PU

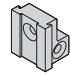
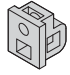
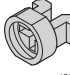
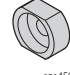
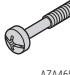
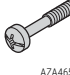





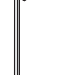
Plug-in units – for IEC 60297, key form 2

INDIVIDUAL COMPONENTS FIXING MATERIAL FOR EXTRACTOR HANDLES, KEY FORM 2

FIXING MATERIAL FOR EXTRACTOR HANDLES, KEY FORM 2

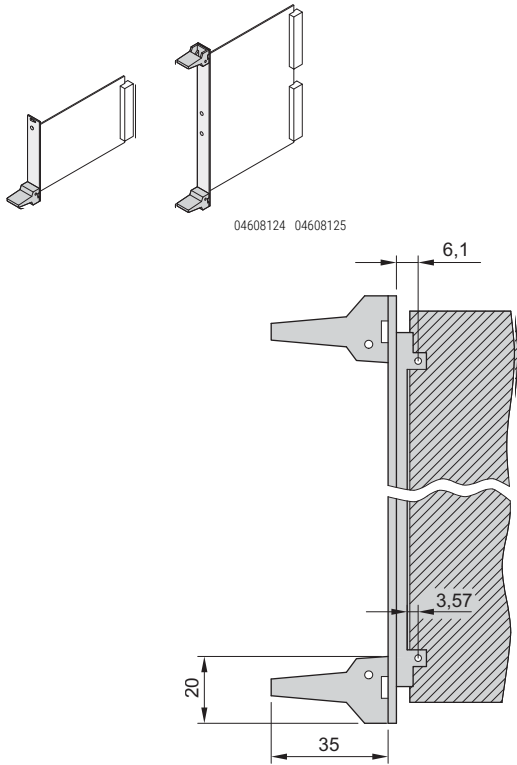


bga42545 04608137

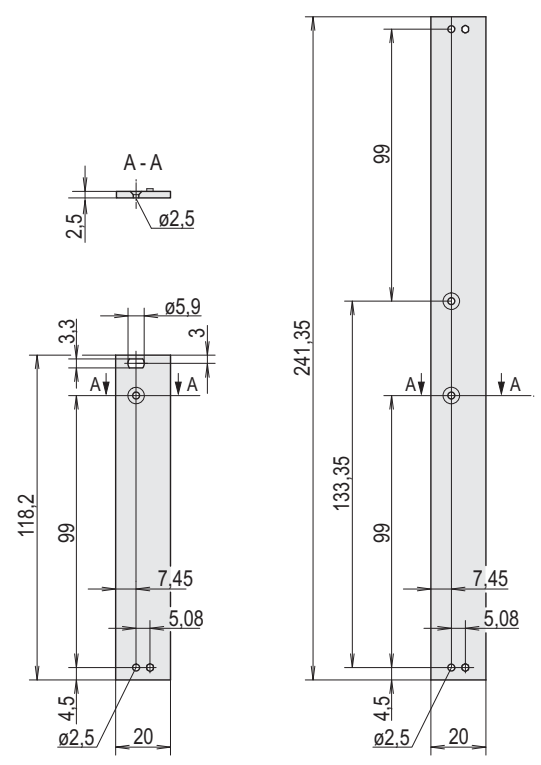
| Fixing material | Item | Image | Required Qty | | Qty/PU | Part no. |
|--|------|---|--------------|-----|--------------------------------|------------------|
| | | | 3 U | 6 U | | |
| Board support, die-cast zinc, with thread M2.5, for front panel and PCB fixing | 5 |  | 1 | 2 | 1 piece (SPQ 10) ¹⁾ | 60807-181 |
| Board support, plastic, PBT, UL 94 V-0, grey, with recess for hexagon nut M2.5, for fixing front panel | 5a |  | 1 | 2 | 1 piece (SPQ 10) ¹⁾ | 60807-183 |
| Plastic sleeve, for form hole 5.9 x 3.3 PA, UL 90 V-2, grey | 8 |  | 1 | – | 100 | 21100-464 |
| Metal sleeve, for form hole 5.9 x 3.3, press-in Stainless steel | 8a |  | 1 | – | 100 | 21100-662 |
| Pozidrive/slotted collar screw M2.5 x 11, St, nickel-plated | 9 |  | 2 | 2 | 100 | 21100-748 |
| Pozidrive/slotted collar screw M2.5 x 12.3, St, nickel-plated | 9a |  | 2 | 2 | 100 | 21101-101 |
| Raised Pozidrive countersunk screw M2.5 x 8, St, nickel-plated | 11 |  | 1 | – | 100 | 21100-429 |
| Washer 2.7 DIN 125, St, nickel-plated, 100 pieces | 13 |  | 2 | 2 | 100 | 21100-721 |
| Pozidrive panhead screw M2.5 x 10, St, nickel-plated for item 5 | 14 |  | 2 | 2 | 100 | 21101-220 |
| Panhead screw, self-tapping 2.5 x 8, St, zinc-plated for item 5b | 14a |  | 1 | – | 100 | 21100-710 |
| Hexagon nut M2.5, nickel-plated steel for item 5b | 15 |  | 3 | – | 100 | 21100-144 |
| PCB bracket 4 clearance holes for front panel/PCB fixing, 4 recesses for hexagon nuts; PBT, UL 94 V-0, red | 16 |  | 1 | 2 | 1 piece (SPQ 10) | 60807-011 |

¹⁾ SPQ (standard pack quantity): Part number includes 1 piece, but delivery is exclusively made in standard pack quantity (SPQ); please order at least the SPQ quantity or a multiple

Plug-in units – for IEC 60297, key form 2

DIMENSIONS
HANDLES/FRONT PANELS KEY FORM 2


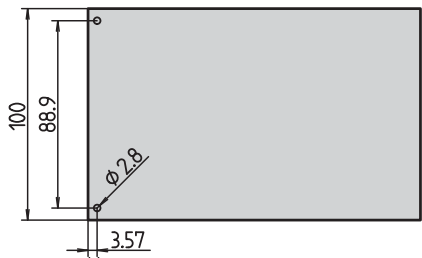
BGA42573



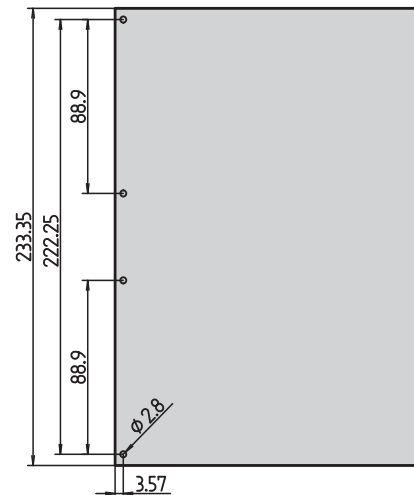
3 U

6 U

BGA42578

DIMENSIONS
DRILL HOLE DIMENSIONS ON THE PCB KEY FORM 2
3 U


BGA43076

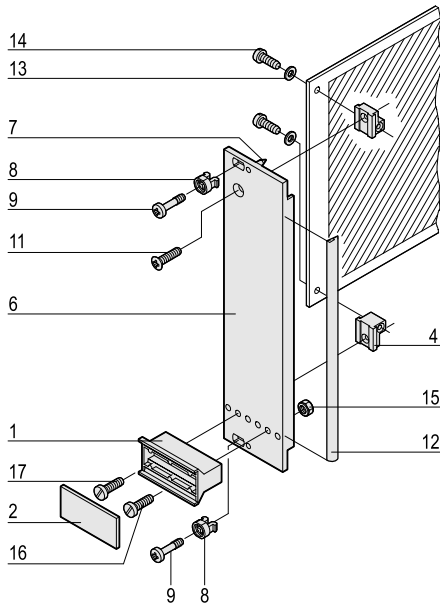
6 U


BGA43077

Plug-in units – for IEC 60297, trapeziform

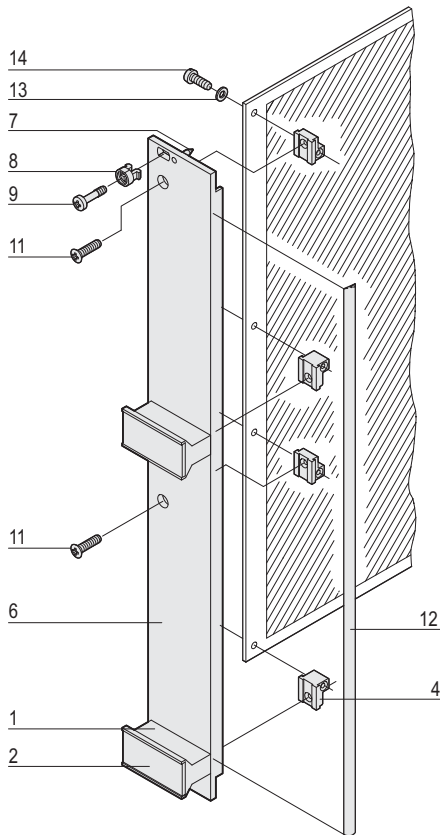
KITS
PLUG-IN UNIT WITH STATIC TRAPEZIFORM HANDLE

3 U



04602062

6 U



04602063

- Front panel, U-profile, shielded
- Handle without extraction function

DELIVERY COMPRISES

| Item | Qty | 3 U | 6 U | Description |
|------|-----|-----|-----|---|
| 1 | 1 | 2 | | Plastic handle, trapeziform, PPE, grey |
| 2 | 1 | 2 | | Identification plate, Al, 1.5 mm, anodised, cut edges plain |
| 4 | 2 | 4 | | Board support, die-cast zinc |
| 6 | 1 | 1 | | Front panel, U profile, for trapeziform handle, front anodised, rear conductive |
| 7 | 2 | 2 | | Alignment pin, pressed-in, stainless steel |
| 8 | 2 | 2 | | Sleeve, PA, grey, up to 7 HP front panel width |
| 8 | 4 | 4 | | Sleeve, PA, grey, from 8 HP front panel width |
| 9 | 2 | 2 | | Pozidrive/slotted collar screw, St, nickel-plated, M2.5 x 11 and 12.3, front panel width up to 7 HP |
| 9 | 4 | 4 | | Pozidrive/slotted collar screw, St, nickel-plated, M2.5 x 11 and 12.3, front panel width from 8 HP |
| 11 | 1 | 2 | | Raised countersunk screw, St, nickel-plated, M2.5 x 8 |
| 12 | 1 | 1 | | EMC sealing (textile) |
| 13 | 2 | 4 | | Washer, A2.7, DIN 125 |
| 14 | 2 | 4 | | Pozidrive flathead screw, St, nickel-plated, M2.5 x 10 |
| 15 | 1 | 2 | | Hexagon nut, St, nickel-plated, M2.5 |
| 16 | 1 | 2 | | Pozidrive flathead screw, St, nickel-plated, M2.5 x 12 |
| 17 | 1 | 2 | | Pozidrive flathead screw, St, nickel-plated, M2.5 x 16 |

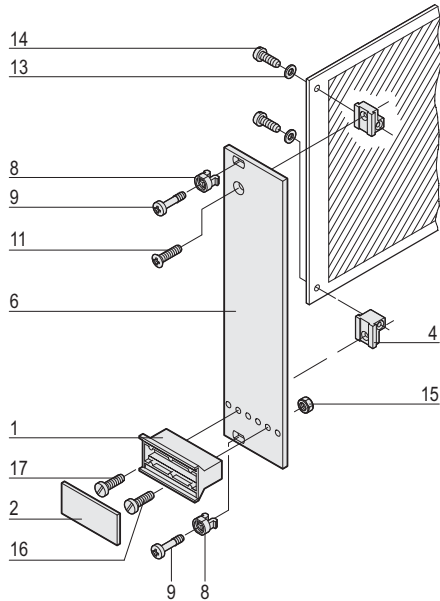
ORDER INFORMATION

| Width | 3 U | 6 U |
|-------|------------------|------------------|
| HP | Part no. | Part no. |
| 3 | 20848-663 | 20848-671 |
| 4 | 20848-664 | 20848-672 |
| 5 | 20848-665 | 20848-673 |
| 6 | 20848-666 | 20848-674 |
| 7 | 20848-667 | 20848-675 |
| 8 | 20848-668 | 20848-676 |
| 10 | 20848-669 | 20848-677 |
| 12 | 20848-670 | 20848-678 |

Plug-in units – for IEC 60297, trapeziform

KITS
PLUG-IN UNIT WITH STATIC TRAPEZIFORM HANDLE

3 U



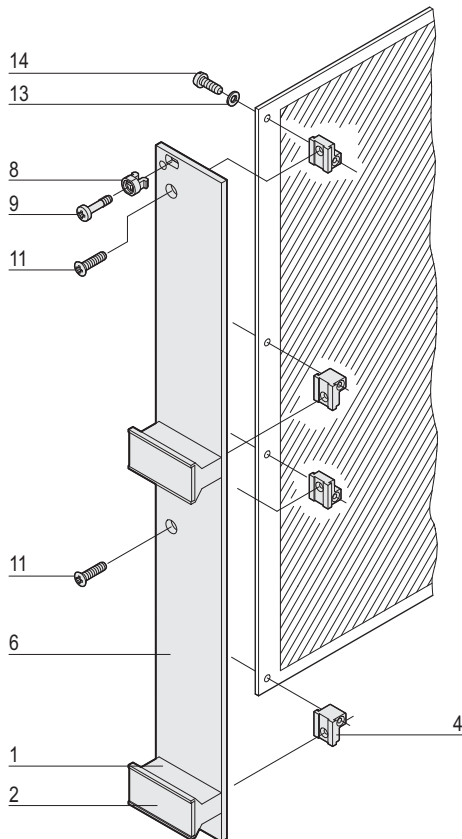
04602064

- Front panel unshielded
- Handle without extraction function

DELIVERY COMPRISES

| Item | Qty | | Description |
|------|-----|-----|---|
| | 3 U | 6 U | |
| 1 | 1 | 2 | Plastic handle, trapeziform, PPE, grey |
| 2 | 1 | 2 | Identification plate, Al, 1.5 mm, anodised, cut edges untreated |
| 4 | 2 | 4 | Board support, die-cast zinc |
| 6 | 1 | 1 | Front panel for trapeziform handle, front anodised, rear iridescent green chromated |
| 8 | 2 | 2 | Sleeve, PA, grey, up to 7 HP front panel width |
| 8 | 4 | 4 | Sleeve, PA, grey, from 8 HP front panel width |
| 9 | 2 | 2 | Pozidrive/slotted collar screw, St, nickel-plated, M2.5 × 11 and 12.3, front panel width up to 7 HP |
| 9 | 4 | 4 | Pozidrive/slotted collar screw, St, nickel-plated, M2.5 × 11 and 12.3, front panel width from 8 HP |
| 11 | 1 | 2 | Raised countersunk screw, St, nickel-plated, M2.5 × 8 |
| 13 | 2 | 4 | Washer, A2.7 |
| 14 | 2 | 4 | Pozidrive flathead screw, St, nickel-plated, M2.5 × 8 |
| 15 | 1 | 2 | Hexagon nut, St, nickel-plated, M2.5 |
| 16 | 1 | 2 | Pozidrive flathead screw, St, nickel-plated, M2.5 × 12 |
| 17 | 1 | 2 | Pozidrive flathead screw, St, nickel-plated, M2.5 × 16 |

6 U



04602065

ORDER INFORMATION

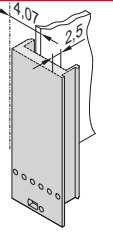
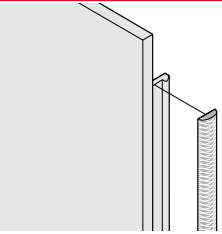
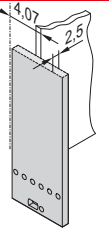
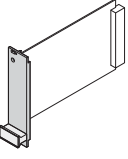
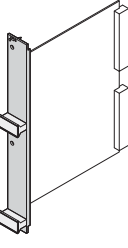
| Width HP | 3 U | 6 U |
|-------------|------------------|------------------|
| | Part no. | Part no. |
| 3 | 20818-017 | 20809-507 |
| 4 | 20818-018 | 20818-025 |
| 5 | 20818-019 | 20818-026 |
| 6 | 20818-020 | 20818-027 |
| 7 | 20818-021 | 20818-162 |
| 8 | 20818-022 | 20818-028 |
| 10 | 20818-023 | 20818-029 |
| 12 | 20818-024 | 20818-120 |

Plug-in units – for IEC 60297, trapeziform

INDIVIDUAL COMPONENTS

FRONT PANELS FOR STATIC CANTILEVER HANDLES

ORDER INFORMATION

| | Front panel, U-profile, shieldable | | Front panel unshielded | | |
|---|---|--|---|------------------|------------------|
| | Front panel, U-profile | Textile EMC gasket | | | |
| |  <p>04608130</p> <p>Al extrusion, front anodised, rear conductive, alignment pin pressed-in, stainless steel</p> |  <p>bga45760</p> <p>always fixed laterally on the front panel, in the groove of the profile, textile gasket, core: foam, sleeve: textile cladding with CuNi coating, UL 94 V-0, temperature range -40 ... 70 °C</p> |  <p>04608131</p> <p>front panel, Al 2.5 mm; front anodised; rear iridescent green chromated</p> | | |
| Width HP | 1 piece (SPQ 5) ¹⁾ | PU 10 pieces | PU 100 pieces | | |
| | 3 U Height | | | | |
|  <p>04608126</p> | 3 | 30849-086 | | 30847-602 | |
| | 4 | 30849-087 | | 30847-603 | |
| | 5 | 30849-088 | | 30847-604 | |
| | 6 | 30849-089 | 21101-853 | 21101-854 | 30847-605 |
| | 7 | 30849-090 | | | 30847-606 |
| | 8 | 30849-091 | | | 30847-607 |
| | 10 | 30849-092 | | | 30847-608 |
| 12 | 30849-093 | | | 30847-609 | |
| | 6 U Height | | | | |
|  <p>04608127</p> | 3 | 30849-097 | | 30847-625 | |
| | 4 | 30849-098 | | 30847-626 | |
| | 5 | 30849-099 | | 30847-627 | |
| | 6 | 30849-100 | 21101-855 | 21101-856 | 30847-628 |
| | 7 | 30849-101 | | | – |
| | 8 | 30849-102 | | | 30847-630 |
| | 10 | 30849-103 | | | 30847-631 |
| 12 | 30849-104 | | | – | |
| Dimensions see page | 7.60 | | | 7.60 | |

1) SPQ (standard pack quantity): Part number includes 1 piece, but delivery is exclusively made in standard pack quantity (SPQ); please order at least the SPQ quantity or a multiple

Part no. includes one packing unit (PU); delivery is exclusively made in PU

Plug-in units – for IEC 60297, trapeziform

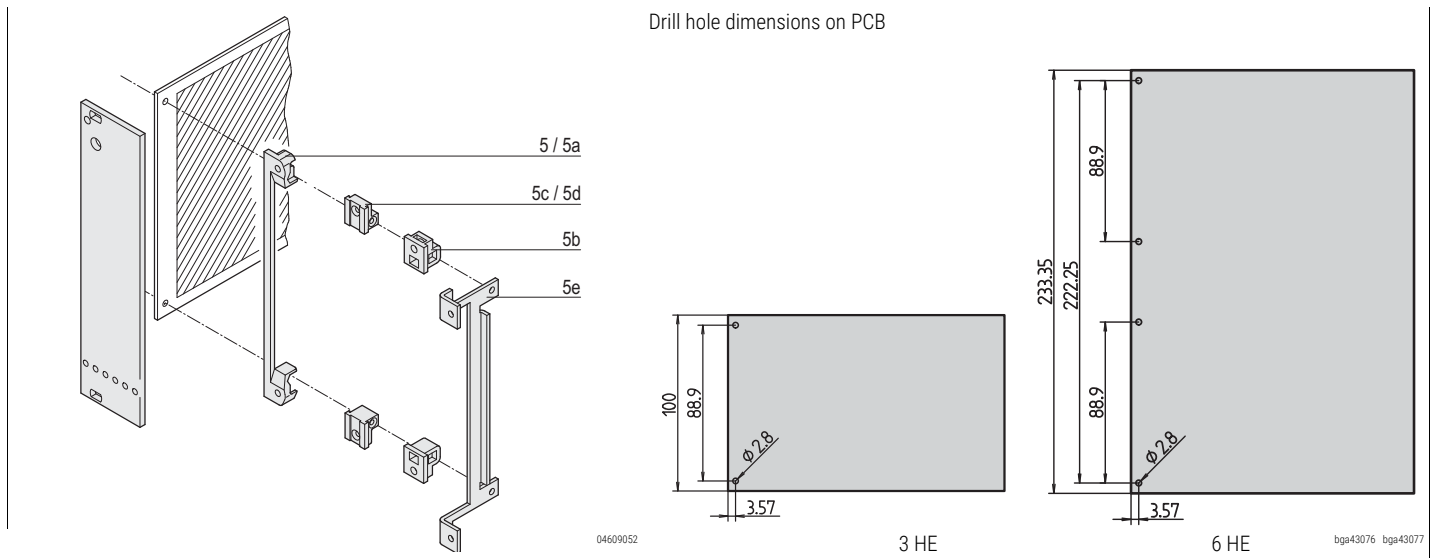
INDIVIDUAL COMPONENTS
STATIC TRAPEZIFORM HANDLE
ORDER INFORMATION

| | Plastic handle in trapeziform | | | Al profile handle | | |
|--------------------------|---|-------------------------------|-------------------------------|-----------------------------|--|---|
| | Trapeziform handle black | Trapeziform handle grey | Fixing clip | Handle | Fixing part for Al profile handle | Square nut |
| | 04608132 | 04608133 | 04808064 | item 20 | item 21 | item 22 |
| | | | | | | |
| | handle: PPE, UL 94 V-1; identification plate: Al, 1.5 mm, anodized, cut edges plain; please order clip separately; 3, 4 HP each have 2 alignment pins, 5 ... 42 TE have no alignment pins; required qty: 1 handle for 3 HE 2 handles for 6 HE | | | clip, PPE, UL 94 V-0, black | Al extrusion, anodised; fixing part, POM, black; square nut, St, nickel-plated; at length of 1000 mm only Al extrusion | fixing part, POM, black DIN 562, M2.5, St, nickel-plated |
| | Width HP | 1 piece (SPQ 5) ¹⁾ | 1 piece (SPQ 5) ¹⁾ | PU 100 pieces | 1 piece (SPQ 10) ¹⁾ | PU 100 pieces |
| | | 3 / 6 U Height | | | | |
| | 3 | 20809-396 | 20809-294 | - | 20809-281 | |
| | 4 | 20809-397 | 20809-295 | - | 20809-282 | |
| | 5 | 20808-080 | 20808-003 | 21101-239 | 20809-283 | |
| | 6 | 20808-081 | 20808-060 | 21101-239 | 20809-284 | |
| | 7 | 20808-082 | 20808-061 | 21101-239 | 20809-285 | |
| | 8 | 20808-083 | 20808-062 | 21101-239 | 20809-286 | |
| | 9 | 20808-084 | 20808-063 | 21101-239 | 20809-287 | |
| | 10 | 20808-085 | 20808-004 | 21101-239 | 20809-288 | - |
| | 12 | 20808-086 | 20808-064 | 21101-239 | 20809-289 | |
| | 14 | 20808-087 | 20808-065 | 21101-239 | 20809-290 | |
| | 21 | 20808-088 | 20808-066 | 21101-239 | 20809-291 | |
| | 28 | 20808-089 | 20808-067 | 21101-239 | 20809-292 | |
| | 40 | 20808-090 | 20808-009 | 21101-239 | - | |
| | 42 | 20808-091 | 20808-068 | 21101-239 | 20809-293 | |
| 61 | 20808-092 | 20808-012 | - | - | | |
| 1000 mm | - | - | - | 30809-428 | 21100-476 | 21100-359 |
| Fixing material see page | 7.59 Item 15, 16, 17 | | | | | |
| Dimensions see page | 7.59 | 7.59 | | 7.59 | 7.59 | 7.59 |

1) SPQ (standard pack quantity): Part number includes 1 piece, but delivery is exclusively made in standard pack quantity (SPQ); please order at least the SPQ quantity or a multiple

Part no. includes one packing unit (PU); delivery is exclusively made in PU

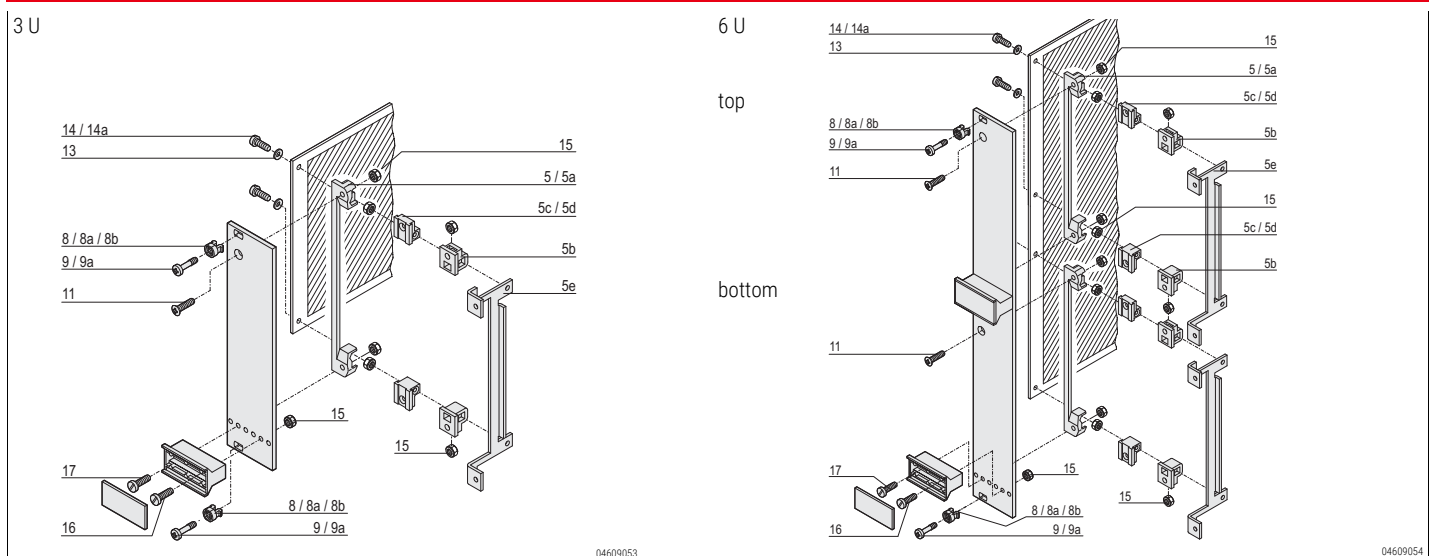
Plug-in units – for IEC 60297, trapeziform

INDIVIDUAL COMPONENTS
PCB BRACKET FOR STATIC TRAPEZIFORM HANDLE


| | Item | Required Qty | 3 HE | | 6 HE | | Part no. |
|--|------|--------------|------|-----|--------------------------------|------------------|----------|
| | | | 3 U | 6 U | Qty/PU | | |
| PCB bracket 4 clearance holes for front panel/PCB fixing, 4 recesses for hexagon nuts; PBT, UL 94 V-0, red | 5 | | 1 | 2 | 1 piece (SPQ 10) ¹⁾ | 60807-011 | |
| PCB bracket 4 threads M2.5 for front panel/PCB fixing, PBT, UL 94 V-0, grey, 1 piece | 5a | AZA45177 | 1 | 2 | 1 piece (SPQ 10) ¹⁾ | 60807-211 | |
| PCB bracket Clearance hole for front panel fixing, with recess for hexagon nut, drill hole for self-tapping screw for PCB fixing, PBT, UL 94 V-0, grey, 1 piece | 5b | AZA45177 | 2 | 4 | 1 piece (SPQ 10) ¹⁾ | 60807-183 | |
| PCB bracket 2 threads M2.5 for front panel/PCB fixing, die-cast zinc, 1 piece | 5c | 06707050 | 2 | 4 | 1 piece (SPQ 10) ¹⁾ | 60807-181 | |
| PCB bracket Thread M2.5 for front panel fixing, clearance hole for PCB fixing, die-cast zinc, 1 piece | 5d | 06707050 | 2 | 4 | 1 piece (SPQ 10) ¹⁾ | 60807-203 | |
| PCB bracket 4 M2.5 threads for fixing front panel/PCB for recessed PCB mounting (20 mm), mounting depth 192.24 mm, St, zinc-plated; not for europacPRO, multipacPRO, ratiopacPRO, propacPRO or compacPRO, 1 piece | 5e | AZA46586 | 1 | 2 | 1 piece (SPQ 10) ¹⁾ | 30808-871 | |

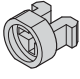


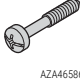
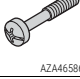


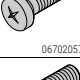


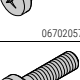
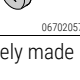
1) SPQ (standard pack quantity): Part number includes 1 piece, but delivery is exclusively made in standard pack quantity (SPQ); please order at least the SPQ quantity or a multiple

Plug-in units – for IEC 60297, trapeziform

INDIVIDUAL COMPONENTS
FIXING MATERIAL FOR STATIC TRAPEZIFORM HANDLE


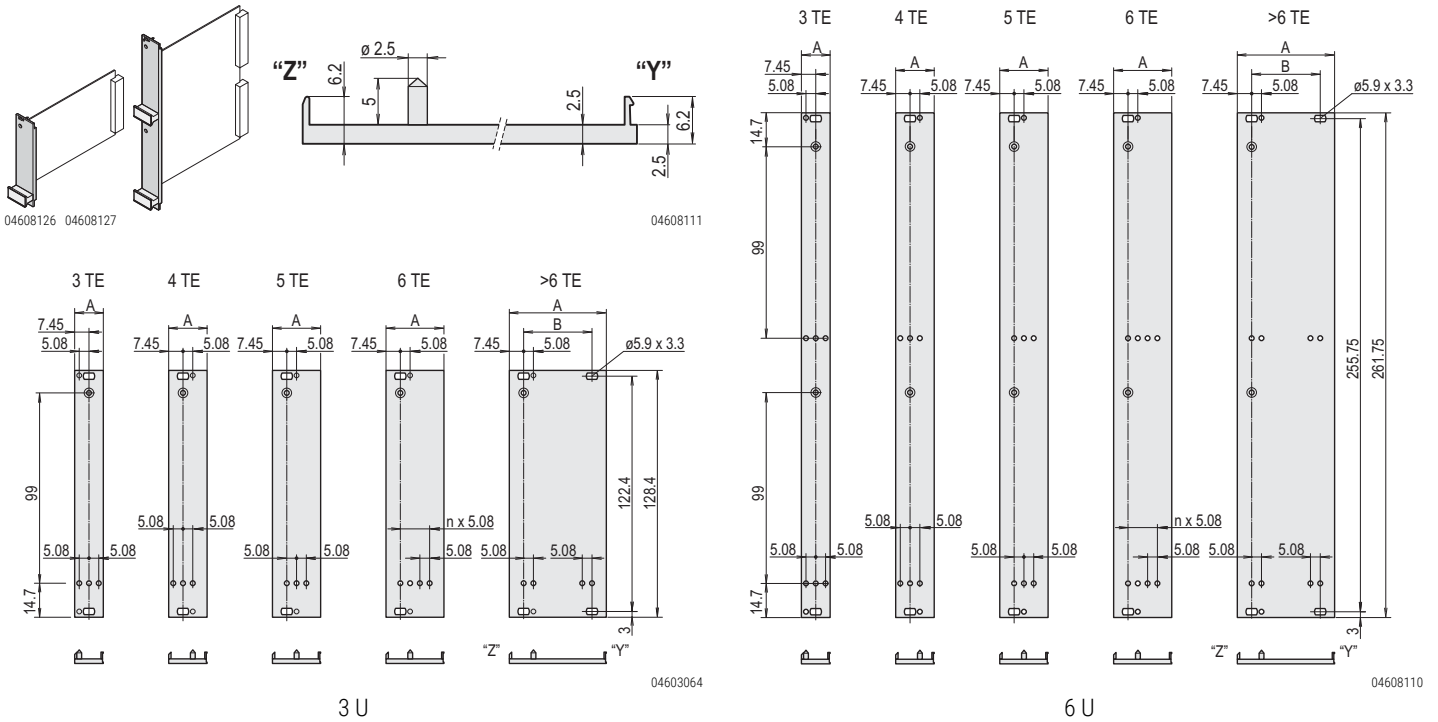
04609053

04609054

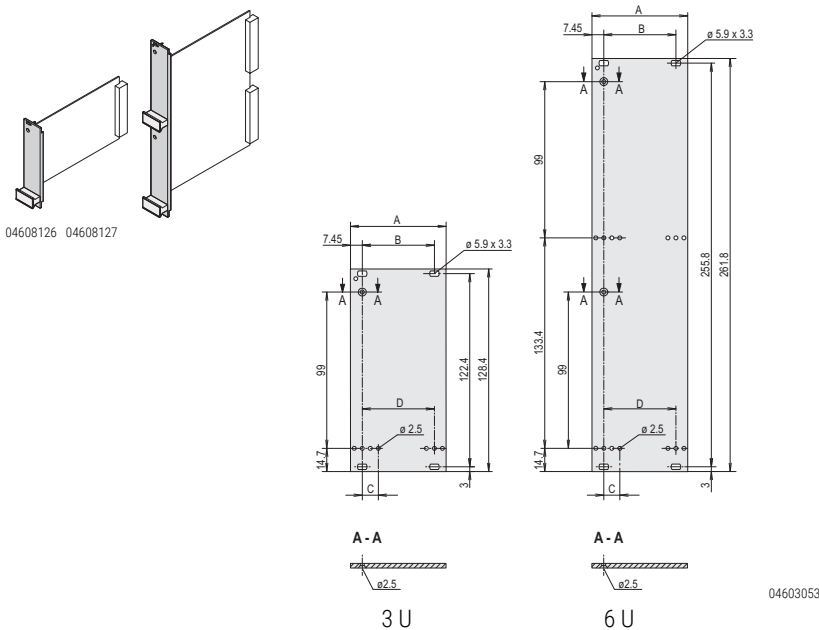
| | Item | Image | Required Qty | | Qty/PU | | Part no. | |
|--|---------------|---|---------------|---------------|---------------|---------------|----------|------------------|
| | | | 3 U < 8 HP | 3 U ≥ 8 HP | 6 U < 8 HP | 6 U ≥ 8 HP | | |
| Plastic sleeve, for form hole 5.9 x 3.3 PA, UL 90 V-2, grey | 8 |  | 2 | 4 | 2 | 4 | 100 | 21100-464 |
| Metal sleeve, for form hole 5.9 x 3.3, press-in Stainless steel | 8 |  | 2 | 4 | 2 | 4 | 100 | 21100-662 |
| Metal sleeve, for form hole 5.9 x 3.3, to press-in Nickel-plated brass | 8a |  | 2 | 4 | 2 | 4 | 100 | 21100-660 |
| Pozidrive/slotted collar screw M2.5 x 11, St, nickel-plated not for europacPRO and cases | 9 |  | 2 | 4 | 2 | 4 | 100 | 21100-748 |
| Pozidrive/slotted collar screw M2.5 x 12.3, St, nickel-plated | 9a |  | 2 | 4 | 2 | 4 | 100 | 21101-101 |
| Raised Pozidrive countersunk screw M2.5 x 8, St, nickel-plated | 11 |  | 1 | 1 | 2 | 2 | 100 | 21100-429 |
| Washer 2.7 DIN 125, St, nickel-plated, 100 pieces | 13 |  | 2 | 2 | 4 | 4 | 100 | 21100-721 |
| Pozidrive panhead screw M2.5 x 8, nickel-plated steel if using item 13 | 14 |  | 2 | 2 | 4 | 4 | 100 | 21101-069 |
| Panhead screw, self-tapping 2.5 x 8, St, zinc-plated for items 5 and 5b | 14a |  | 1 | 1 | - | - | 100 | 21100-710 |
| Hexagon nut M2.5, nickel-plated steel for items 5 and 5b | 5 15 5b |  | 4 2 | 4 2 | 8 4 | 8 4 | 100 | 21100-144 |
| Pozidrive panhead screw M2.5 x 12, nickel-plated steel | 16 |  | 1 | 1 | 2 | 2 | 100 | 21101-221 |
| Pozidrive panhead screw M2.5 x 16, nickel-plated steel | 17 |  | 1 | 1 | 2 | 2 | 100 | 21101-222 |

1) SPQ (standard pack quantity): Part number includes 1 piece, but delivery is exclusively made in standard pack quantity (SPQ); please order at least the SPQ quantity or a multiple

Plug-in units – for IEC 60297, trapeziform

DIMENSIONS
FRONT PANELS, U PROFILE, SHIELDABLE FOR STATIC TRAPEZIFORM HANDLE


| Dimensions table | | |
|------------------|-------|-------|
| Width HP | A mm | B mm |
| 3 | 14.90 | - |
| 4 | 19.98 | - |
| 5 | 25.06 | - |
| 6 | 30.14 | - |
| 7 | 35.22 | - |
| 8 | 40.30 | 25.40 |
| 10 | 50.46 | 35.56 |
| 12 | 60.62 | 45.72 |

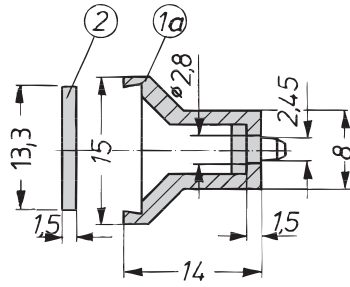
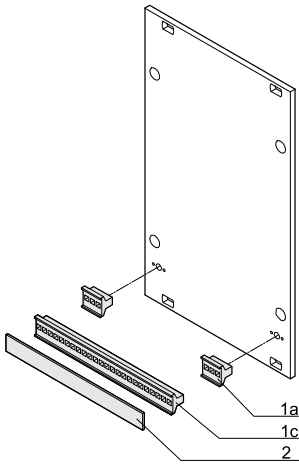
DIMENSIONS
FRONT PANELS FOR STATIC TRAPEZIFORM HANDLE


| Dimensions table | | | | |
|------------------|-------|-------|-------|-------|
| Width HP | A mm | B mm | C mm | D mm |
| 3 | 14.90 | - | - | - |
| 4 | 19.98 | - | - | - |
| 5 | 25.06 | - | 10.16 | - |
| 6 | 30.14 | - | - | 15.24 |
| 7 | 35.22 | - | - | 20.32 |
| 8 | 40.30 | 25.40 | - | 25.40 |
| 10 | 50.46 | 35.56 | - | 35.56 |
| 12 | 60.62 | 45.72 | - | 45.72 |

Plug-in units – for IEC 60297, trapeziform

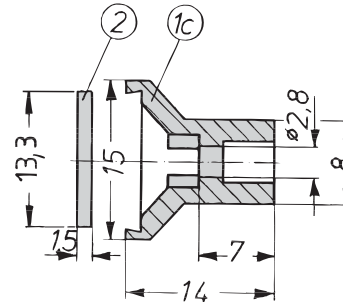
DIMENSIONS
STATIC PLASTIC HANDLES, TRAPEZIFORM
Dimensions table

| Item | Width | |
|------|-------|-------|
| | HP | mm |
| 1a | 3 | 13.8 |
| 1a | 4 | 18.9 |
| 1c | 5 | 24.0 |
| 1c | 6 | 29.0 |
| 1c | 7 | 34.1 |
| 1c | 8 | 39.2 |
| 1c | 9 | 44.3 |
| 1c | 10 | 49.4 |
| 1c | 12 | 59.6 |
| 1c | 14 | 69.7 |
| 1c | 21 | 105.2 |
| 1c | 28 | 140.8 |
| 1c | 40 | 201.8 |
| 1c | 42 | 212.0 |
| 1c | 61 | 308.5 |



BGA46447

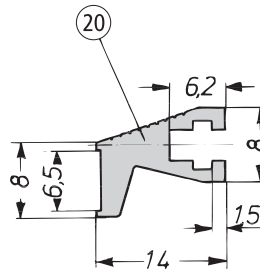
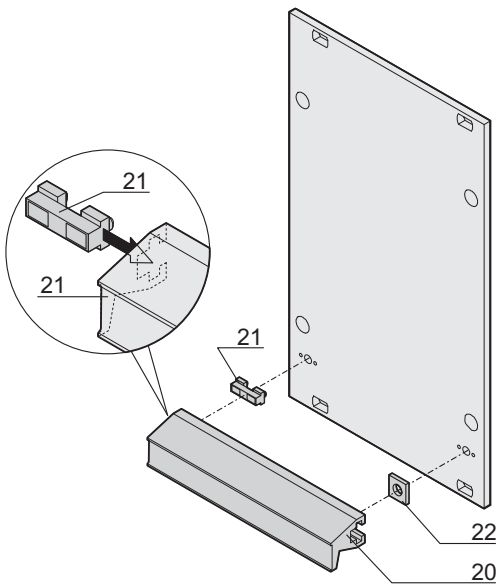
A4-328a



A4-328c

DIMENSIONS
ALUMINIUM EXTRUSION HANDLES
Dimensions table

| Item | Width | |
|------|-------|-------|
| | HP | mm |
| 20 | 3 | 13.8 |
| 20 | 4 | 18.9 |
| 20 | 5 | 24.0 |
| 20 | 6 | 29.0 |
| 20 | 7 | 34.1 |
| 20 | 8 | 39.2 |
| 20 | 9 | 44.3 |
| 20 | 10 | 49.4 |
| 20 | 12 | 59.6 |
| 20 | 14 | 69.7 |
| 20 | 21 | 105.2 |
| 20 | 28 | 140.8 |
| 20 | 40 | 201.8 |
| 20 | 42 | 212.0 |
| 20 | - | 1000 |

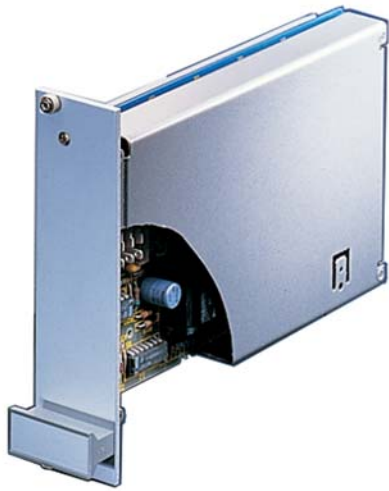


04602069

A4-328d

Plug-in units – with mechanical shielding

PLUG-IN UNIT WITH MECHANICAL SHIELDING, 3 U KITS



04694001

- Mechanical protection of sub-assembly
- Earthing of shielding panels possible by Faston connectors 6.3 × 0.6 mm
- For euroboards 100 × 160 mm

Handles without extraction function



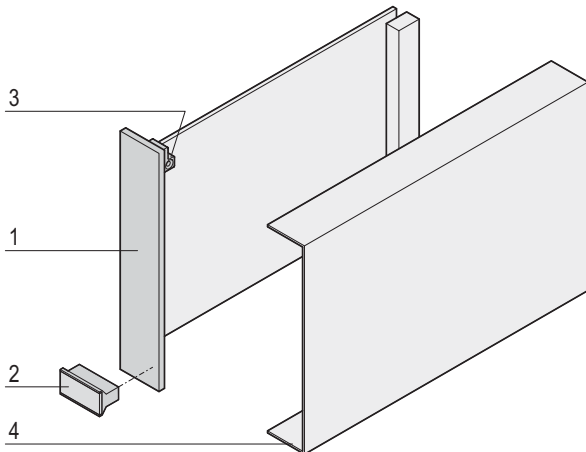
04692003

Handles with extraction function



04692005

3 U KIT, SHIELDING COMPONENT SIDE, HANDLES WITH/WITHOUT EXTRACTION FUNCTION



04602077

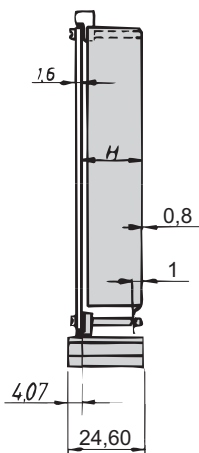
- Usable connectors in accordance with EN 60603 (DIN 41612): Construction type B, C, D, F, H, R;

DELIVERY COMPRISES (kit)

| Item | Qty | Description |
|------|-----|--|
| 1 | 1 | Front panel, Al, 2.5 mm, front: anodised, rear: iridescent green chromated |
| 2 | 1 | Trapeziform handle, PPE, UL 94 V-1, grey |
| 3 | 1 | Board support, PBT, UL 94 V-0, red |
| 5 | 1 | Assembly kit (also for shielding panels) |

ORDER INFORMATION

| Width | H | Plug-in unit without extractionfunction | Plug-in unit with extractionfunction |
|--|-------|---|--------------------------------------|
| HP | mm | Part no. | Part no. |
| 6 | 24.60 | 20809-502 | 20809-516 |
| Item 4 Shielding panel component side for 7 HP front panel width, stainless steel, 0.8 mm, 1 piece | | 20809-371 | 20809-371 |



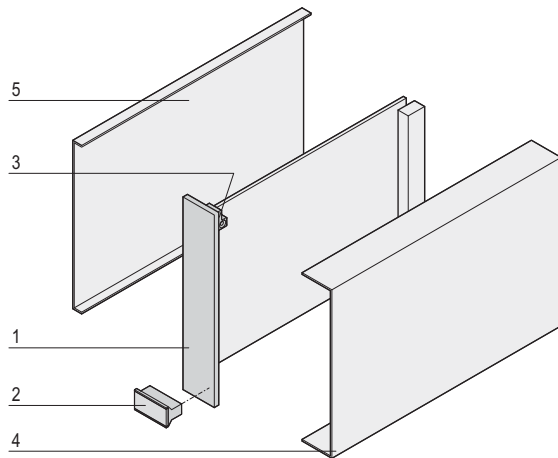
a4-237

NOTE

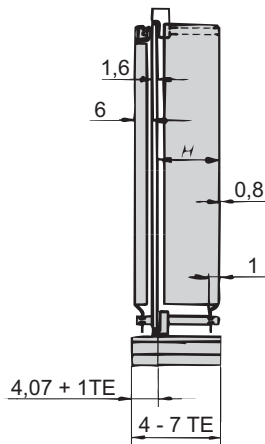
- Keying/coding with separate keying/coding strip is not possible
- Please order shielding plates separately

Plug-in units – with mechanical shielding

3 U KITS, BOTH SIDES SHIELDED (SOLDER/COMPONENT SIDE), HANDLES WITH/WITHOUT EXTRACTION FUNCTION



04602078



a4-236a

- Usable connectors in accordance with EN 60603 (DIN 41612): Construction type B, C, D, F, H, R;

DELIVERY COMPRISES

| Item | Qty | Description |
|------|-----|--|
| 1 | 1 | Front panel, Al, 2.5 mm, front: anodised, rear: iridescent green chromated |
| 2 | 1 | Trapeziform handle, without extraction function, PPE, UL 94 V-1, grey |
| 3 | 2 | Board support, PBT, UL 94 V-0, red |
| 6 | 1 | Assembly kit (also for shielding panels) |

ORDER INFORMATION

| Width | H | Plug-in unit without extraction function | Plug-in unit with extraction function |
|-------|-------|--|---------------------------------------|
| HP | mm | Part no. | Part no. |
| 4 | 9.60 | 20809-495 | – |
| 5 | 14.70 | 20809-496 | 20809-511 |
| 6 | 19.80 | 20809-497 | 20809-512 |
| 7 | 24.90 | 20809-498 | 20809-513 |

Item 4 Shielding panel component side for 4 HP front panel width, stainless steel, 0.8 mm, 1 piece

20809-329

20809-329

Item 4 Shielding panel component side or 5 HP front panel width, stainless steel, 0.8 mm, 1 piece

20809-357

20809-357

Item 4 Shielding panel component side for 6 HP front panel width, stainless steel, 0.8 mm, 1 piece

20809-359

20809-359

Item 4 Shielding panel component side for 7 HP front panel width, stainless steel, 0.8 mm, 1 piece

20809-371

20809-371

Item 5 Shielding panel on solder side, stainless steel, 0.8 mm, 1 piece

30809-571

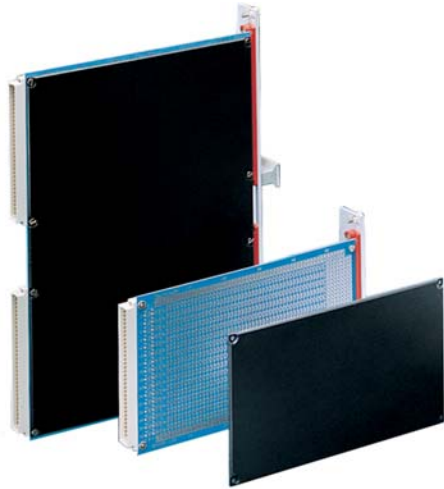
30809-571

NOTE

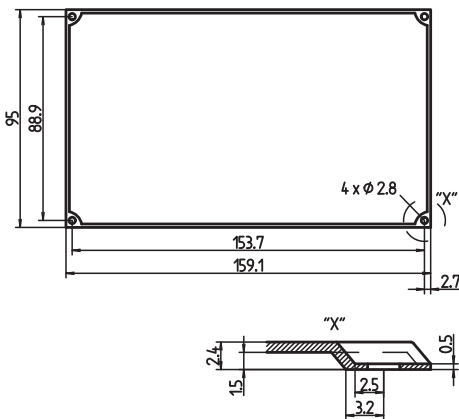
- Keying/coding with separate keying/coding strip is not possible
- Where the shielding plate is used for the solder side, the PCB is offset to the right by 1 HP

Plug-in units – with mechanical shielding

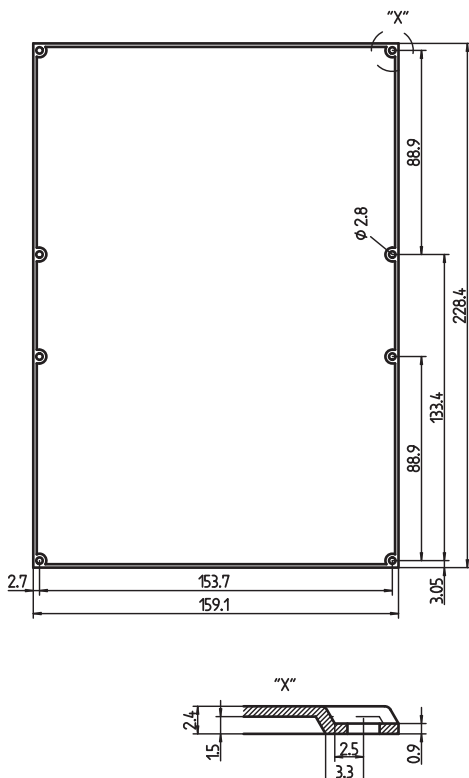
PCB COVER FOR EUROBOARDS



For PCBs 100 x 160 mm



For PCBs 233.35 x 160 mm



- Mechanical protection of the solder side

ORDER INFORMATION

| Description | Qty | Part no. |
|---|------------------|------------------|
| PCB cover (thickness 0.9 mm) for euroboards (100 x 160 mm), PBT, black, max. operating temperature without permanent deformation 55 °C | 1 piece (SPQ 10) | 61000-007 |
| PCB cover (thickness 0.9 mm) with similar temperature expansion coefficients to FR4 PCB; for euroboards (100 x 160 mm), LCP, UL 94 V-0, white, max. operating temperature without permanent deformation 85 °C | 1 piece (SPQ 10) | 61000-177 |
| PCB cover for double euroboards (233.35 x 160 mm), PP, UL 94 V-0, black | 1 piece (SPQ 10) | 61000-012 |
| Slotted flathead screw M2.5 x 6, height of head 1.2 mm, PU 100 pieces | | 21102-007 |
| Slotted flathead screw M2.5 x 12, height of head 1.2 mm, PU 100 pieces | | 21102-008 |

11092008

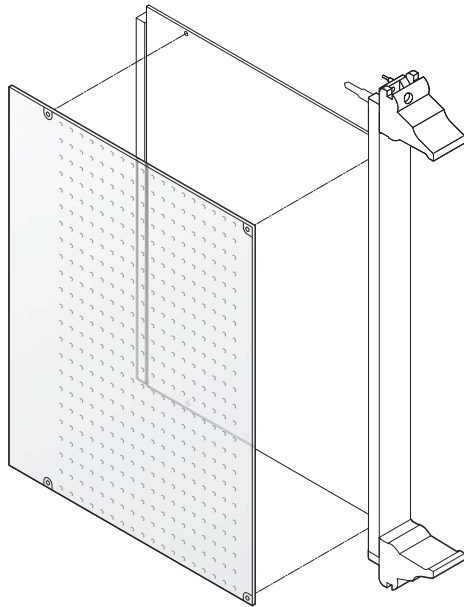
SPQ (standard pack quantity): Part number includes 1 piece, but delivery is exclusively made in standard pack quantity: please order at least 10 pieces of PCB covers or a multiple

LKA40520

LKA30451

Plug-in units – with mechanical shielding

PCB COVER FOR COMPACTPCI



- Mechanical protection of solder side
- Cover is perforated for better cooling of components

DELIVERY COMPRISES

| Item | Qty | Description |
|------|-----|--|
| 1 | 1 | Cover, plastic, 0.5 mm, antistatic, perforated, UL 94 V-0; max. operating temperature 65 °C, max. continuous operating temperature 55 °C |

ORDER INFORMATION

| Height U | Depth mm | Part no. |
|----------------------------|------------|------------------|
| 6 | 80 | 24579-039 |
| 3 | 160 | 24579-037 |
| 6 | 160 | 24579-038 |
| Fixing clips PU 100 pieces | | 21101-914 |

NOTE

- Fixing clips are required for mounting the perforated covers; please order separately

12303051

North America

Warwick, RI, USA

Tel +1.800.525.4682

San Diego, CA, USA

Tel +1.800.854.7086

Europe, Middle East & India

Straubenhardt, Germany

Tel +49 7082 794 0

Betschdorf, France

Tel +33 3 88 90 64 90

Warsaw, Poland

Tel +48 22 209 98 35

Hemel Hempstead,

Great Britain

Tel +44 1442 24 04 71

Lainate, Italy

Tel +39 02 932 714 1

Dubai, United Arab Emirates

Tel +971 4 37 81 700

Bangalore, India

Tel +91 80 67152000

Istanbul, Turkey

Tel +90 216 250 7374

Asia Pacific

Shanghai, China

Tel +86 21 2412 6943

Singapore

Tel +65 6768 5800

Shin-Yokohama, Japan

Tel +81 45 476 0271

Our powerful portfolio of brands:

CADDY ERICO HOFFMAN RAYCHEM SCHROFF TRACER



[nVent.com/SCHROFF](https://www.nVent.com/SCHROFF)