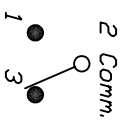
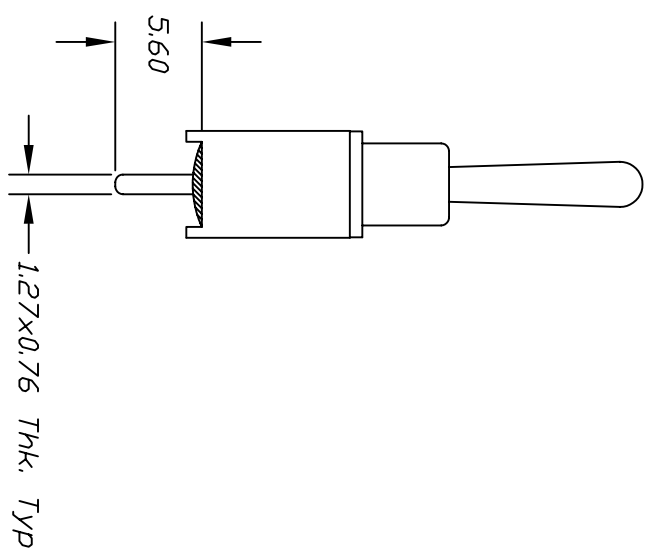
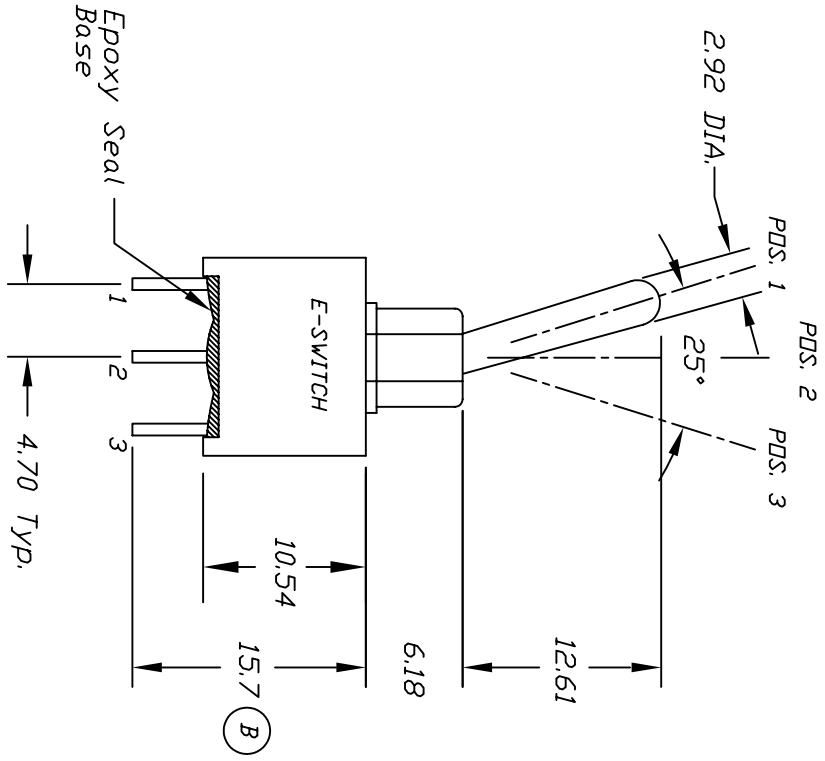


RECOMMEND P.C.B. LAYOUT



CIRCUIT: SPDT

CONTACT CONFIGURATION

SWITCH FUNCTION	POS. 1	POS. 2	POS. 3
DN			
2-3	DN	OFF	DN
2-1			DN

NOTES:

1. ALL DIMENSIONS IN MM
2. TERM. NDS. FOR REF ONLY
3. RATING: 0.4 (VA) Max. @20V Max. (AC or DC)

B	15187	CHANGED DIMENSIONS B 8/22/2005	PH
A		RELEASED FOR PRODUCTION	
REV.	ECN	DESCRIPTION	DATE
THE INFORMATION CONTAINED IN THIS DOCUMENT IS PROPRIETARY TO E-SWITCH AND IS NOT TO BE COPIED OR TRANSFERRED			

TOLERANCES	
0.0	±0.4
0.00	±0.25

TITLE		SCALE		DATE		DR		DWG		REV	
E-SWITCH®		2:1		11/24/97		MM		T102302		B	
100A WSP-3 T1 B4 M2 R E											