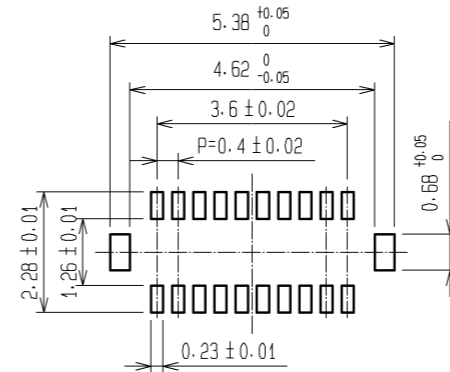
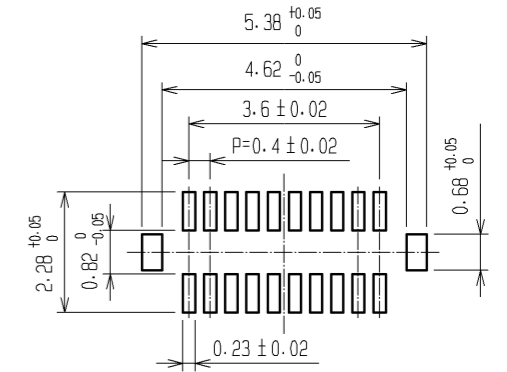


RECOMMENDED METAL MASK
OPENING PATTERN

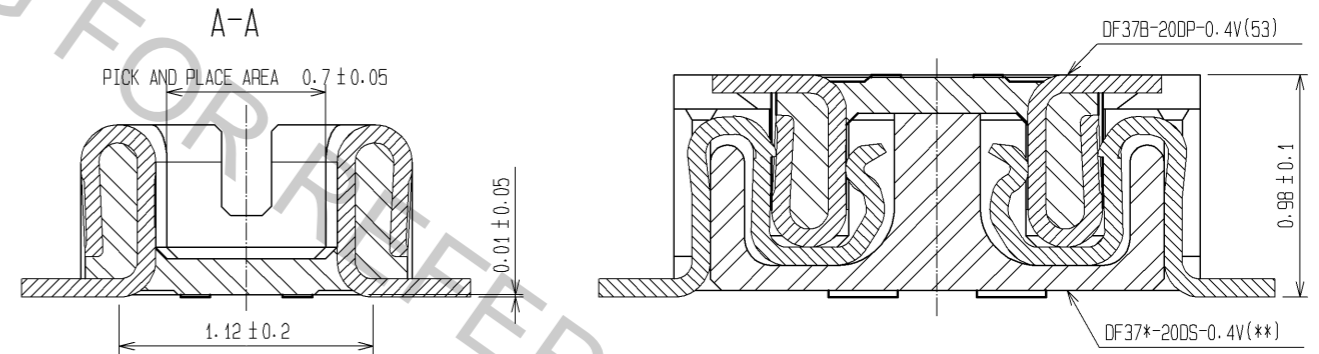


RECOMMENDED SOLDER PASTE THICKNESS: 120µm

RECOMMENDED PATTERN

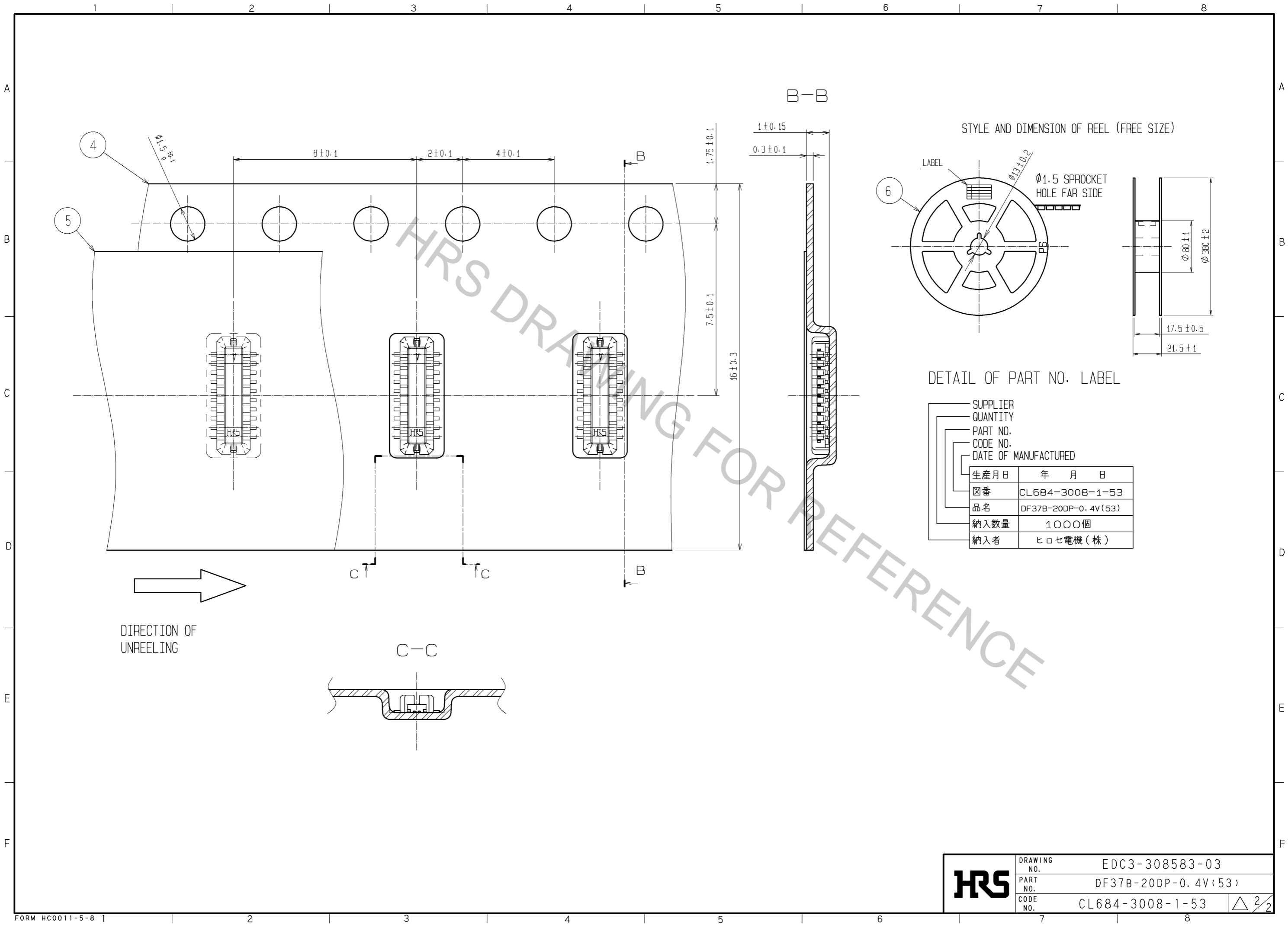


ENGAGEMENT FIGURE



- NOTE 1. ALL LEADS CO-PLANARITY SHALL BE 0.1 MAX.
 2. PER REEL : 1000 CONNECTORS.
 3. AT THE BEGINNING OF THE REEL, 100 mm AT MIN SHALL BE EMPTY POCKETS.
 AT THE END OF THE REEL, 160 mm AT MIN SHALL BE EMPTY.
 4. CONTACT PLATING SPECIFICATIONS.
 CONTACT AREA : GOLD 0.05µm MIN.
 SMT LEAD : GOLD 0.05µm MIN.
 UNDERPLATING : NICKEL 1µm MIN.
 (SURFACE : SEALING)
 5. METAL HOLD DOWN PLATING SPECIFICATIONS.
 MOUNTING AREA: GOLD 0.05µm MIN.
 UNDERPLATING : NICKEL 1µm MIN.
 6. PEEL FORCE OF COVER TAPE REFERS TO JIS C 0806.

3	PHOSPHOR BRONZE	5	6	PS	PLASTIC REEL (BLACK)		
2	PHOSPHOR BRONZE	4	5	POLYESTER	CLEAR(COVER TAPE)		
1	LCP	UL94V-0, BLACK	4	PS	CLEAR(EMBOSSED CARRIER TAPE)		
NO.	MATERIAL	FINISH, REMARKS	NO.	MATERIAL	FINISH, REMARKS		
UNITS mm		SCALE FREE	COUNT 	DESCRIPTION OF REVISIONS	DESIGNED	CHECKED	DATE
HRS HIROSE ELECTRIC CO., LTD.		APPROVED : KH. IKEDA	09. 01. 07	DRAWING NO. EDC3-308583-03			
		CHECED : TS. MIYAZAKI	09. 01. 07	PART NO. DF37B-20DP-0.4V(53)			
		DESIGNED : RT. SHIMIZU	09. 01. 07	CODE NO. CL684-3008-1-53			
		DRAWN : AK. AOYAGI	09. 01. 06			1/2	



HRS	DRAWING NO.	EDC3-308583-03
	PART NO.	DF37B-20DP-0.4V(53)
	CODE NO.	CL684-3008-1-53
		△ 2/2