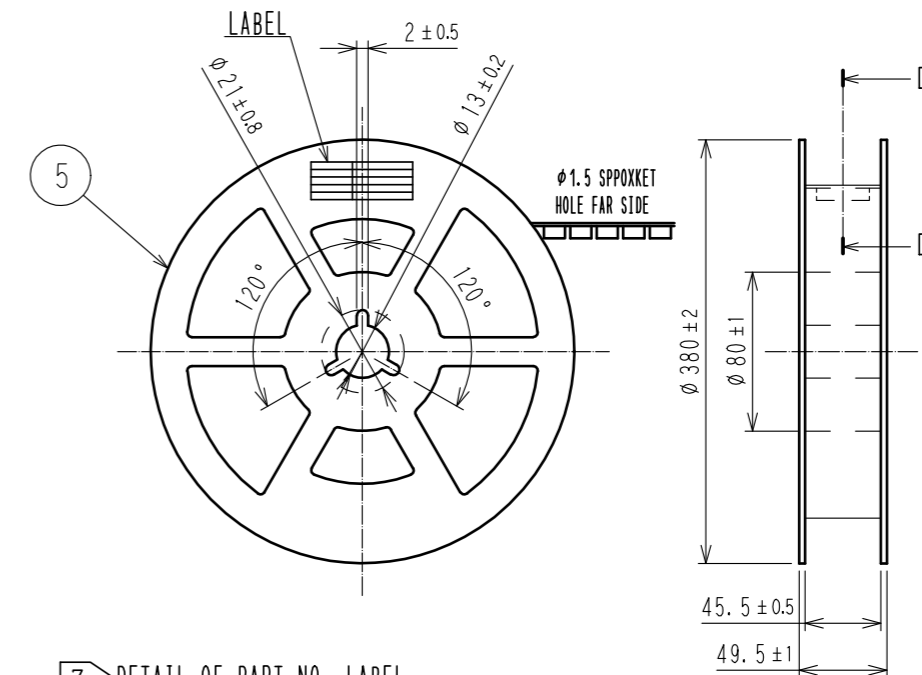
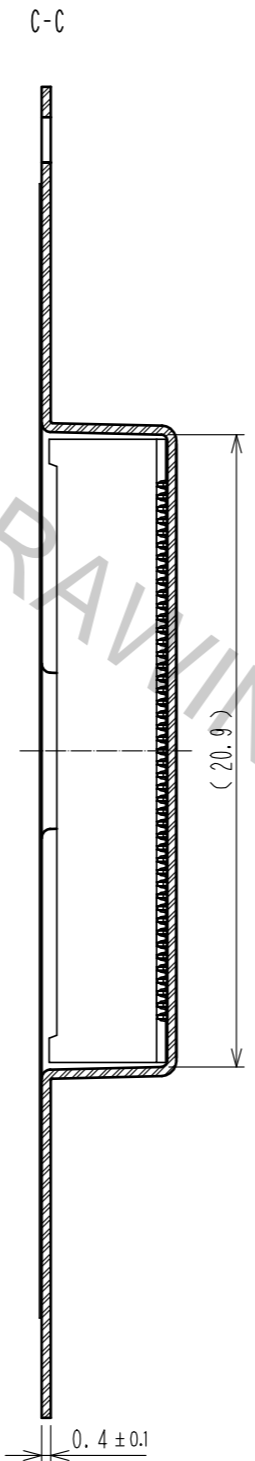
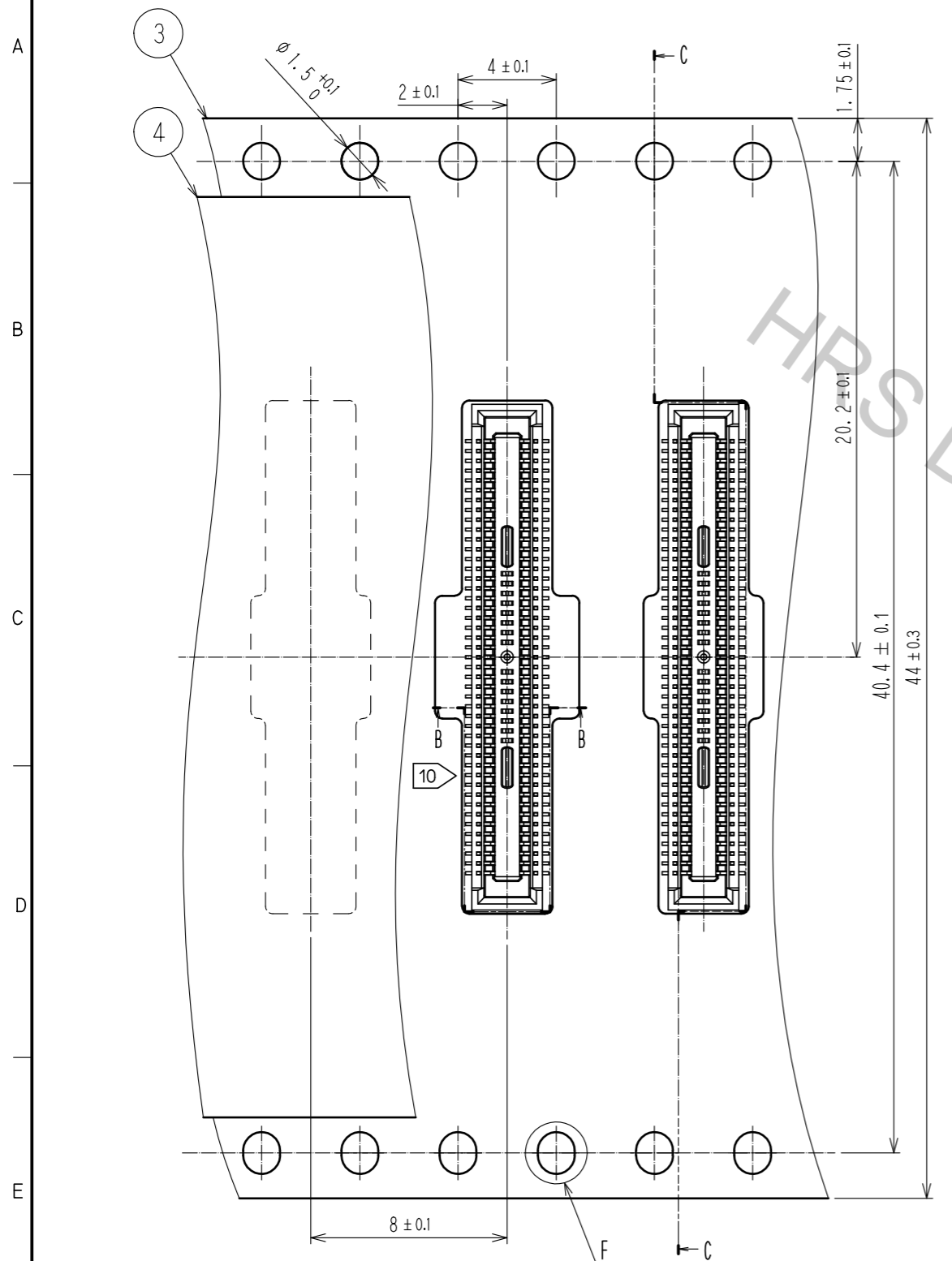


2	PHOSPHOR BRONZE	CONTACT AREA:GOLD 0.05 μm MIN	6	PS	CLEAR, REINFORCEMENT COLLAR
		SMT LEAD:GOLD 0.05 μm MIN	5	PS	BLACK, PLASTIC REEL
		UNDERPLATING:NICKEL 1 μm MIN	4	POLYESTER	CLEAR, COVER TAPE
1	LCP	BLACK, UL94V-0	3	PS	CLEAR, EMBOSSED CARRIER TAPE
NO.	MATERIAL	FINISH . REMARKS	NO.	MATERIAL	FINISH . REMARKS
UNITS mm		SCALE 10 : 1	COUNT	DESCRIPTION OF REVISIONS	
DESIGNED		CHECKED		DATE	
APPROVED : MO. ISHIDA			16.10.05	DRAWING NO. EDC-337992-51-01	
CHECKED : TS. MIYAZAKI			16.10.05	PART NO. DF40HC(4.0)-90DS-0.4V(51)	
DESIGNED : SH. HOSODA			16.10.05	CODE NO. CL684-4165-5-51	
DRAWN : SN. NUMAZAKI			16.10.04	1/2	

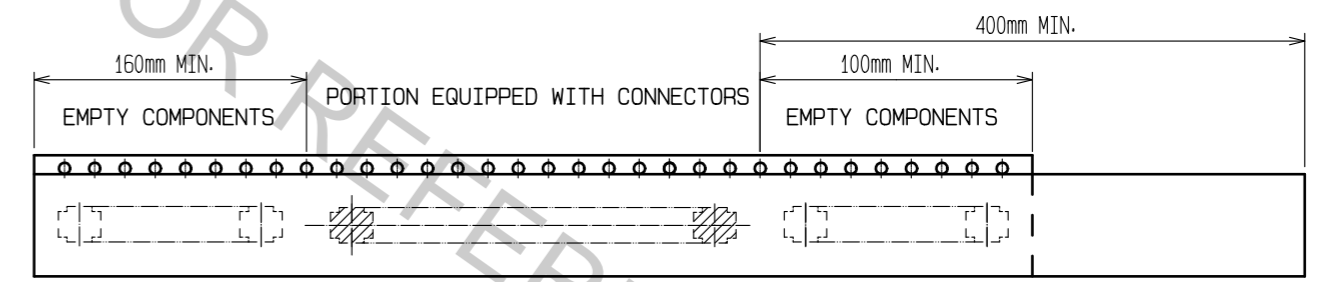
SCALE (5:1)

STYLE AND DIMENSION OF REEL (FREE SIZE)

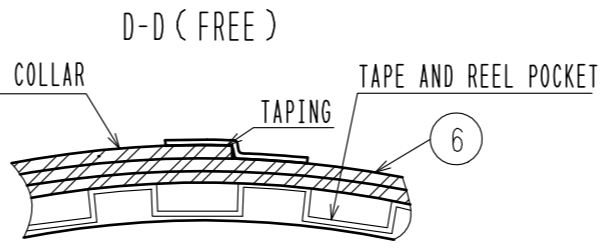
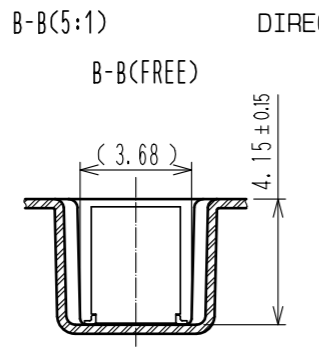


7) DETAIL OF PART NO. LABEL

製造年月日	** ** *
製品コード	CL684-4165-5-51
製品名	DF40HC(4.0)-90DS-0.4V(51)
数量	2000
納入者	ヒロセ電機(株)



- 6) TAPING
- NOTES)
- PER REEL 2000 CONNECTORS.
  - THE DIMENSIONS IN PARENTHESES ARE FOR REFERENCE.
  - REFER TO JIS C 0806(PACKING OF COMPONENTS FOR AUTOMATIC HANDLING)
  - DETAIL OF PART NO. LABEL IS WRITTEN IN JAPANESE.
- PRODUCTION DATE:  
 PRODUCT CODE: CL684-4165-5-51  
 PART NUMBER: DF40HC(4.0)-90DS-0.4V(51)  
 NUMBER OF PIECES: 2000 PIECES  
 SUPPLIER NAME: HIROSE ELECTRIC CO., LTD.
- THE POCKET SHAPE IS DIFFERENT AT INTERVALS OF FOUR POKCES TO AVOID OVERLAP.
  - AFTER PACKAGING, ROLL 2 METERS OF THE REINFORCEMENT COLLAR TO OUTER CIRCUMFERENCE OF TAPE AND REEL POCKET, AND TAPE DOWN AT THE END THE COLLAR.
  - ONE OF SEVERAL IS DIFFERENT IN FORM OF THE EMBOSSED CARRIER TAPE.



<b>HRS</b>	DRAWING NO.	EDC-337992-51-01
	PART NO.	DF40HC(4.0)-90DS-0.4V(51)
	CODE NO.	CL684-4165-5-51
		$\triangle$ 2/2