



ANATECH ELECTRONICS INC
RF & Microwave Filters & Products

1466 MHz Cavity Bandpass Filter

Part Number: AE1466B11728



Electrical specifications

Center Frequency: 1466 MHz
Bandwidth: 40 MHz
Passband: 1446-1486 MHz
Insertion Loss : 1dB Max
Return Loss: 14dB Min
Rejection1: 40dB Min @ 1227 MHz
Rejection2: 40dB Min @ 1575 MHz
Power Handling: 20W
Input / Output Impedance: 50 Ohms

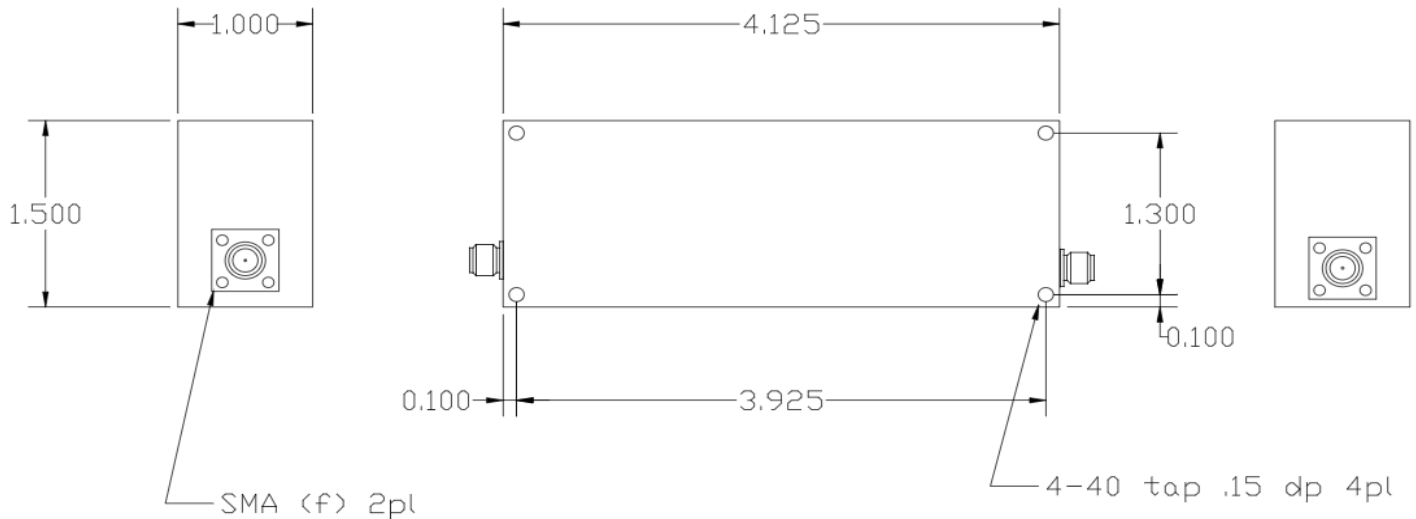
Mechanical

Mounting Method: Threaded Holes
Connector Type: SMA (F)
Dimensions: 4.125 x 1.5 x 1.0 inches

Environmental

Operating Temperature: -45°C to +85°C
Storage Temperature: -55°C to +95°C
Shock: 20 G. 11ms
Vibration: 20 G. 5 to 200Hz

Outline Drawing:



Tolerance: +/-0.01 inches [+/-0.3mm]

Angles: +/- 1 Deg.

*Tolerance as shown unless otherwise specified in the datasheet electrical specification tables above.

*When max dimensions are called out the above tolerances do not apply as long as it is under the max call out.



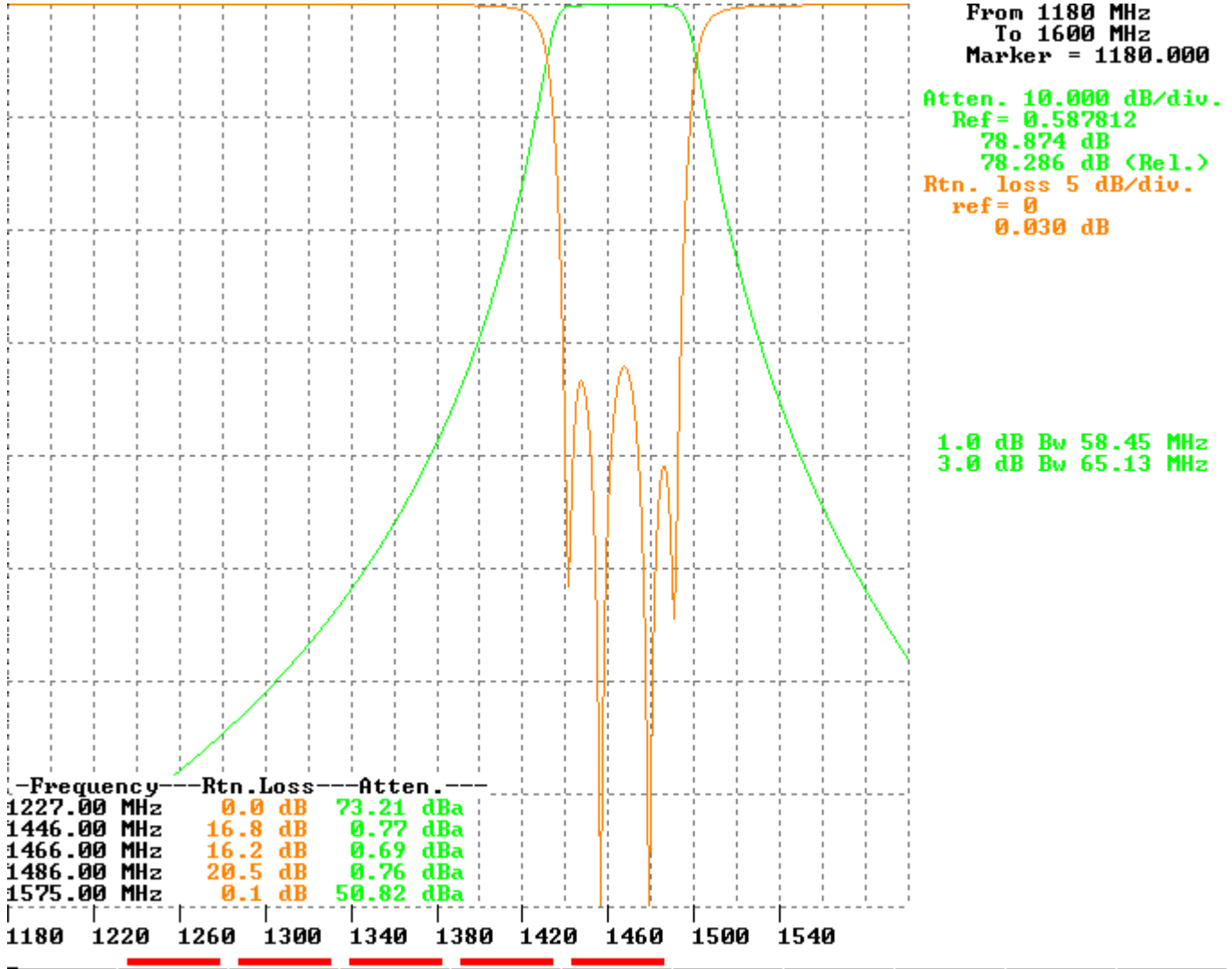
ANATECH ELECTRONICS INC
RF & Microwave Filters & Products

1466 MHz Cavity Bandpass Filter

Part Number: AE1466B11728



Simulation Plot:



Note: This is a simulated response plot. Actual performance might differ.