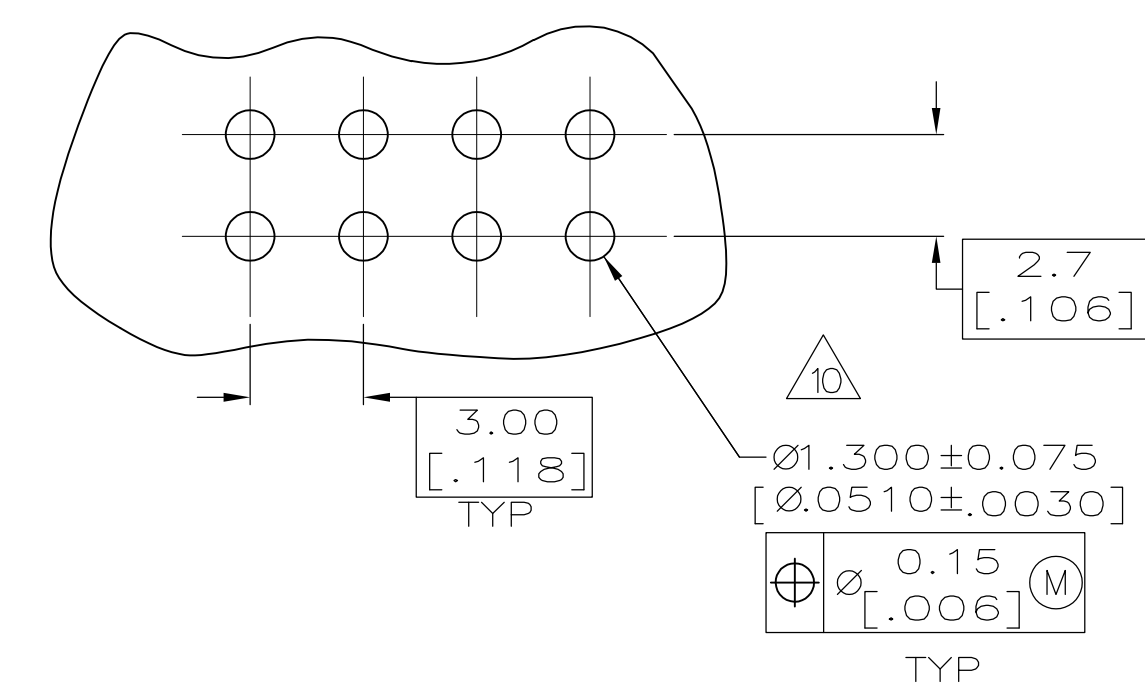
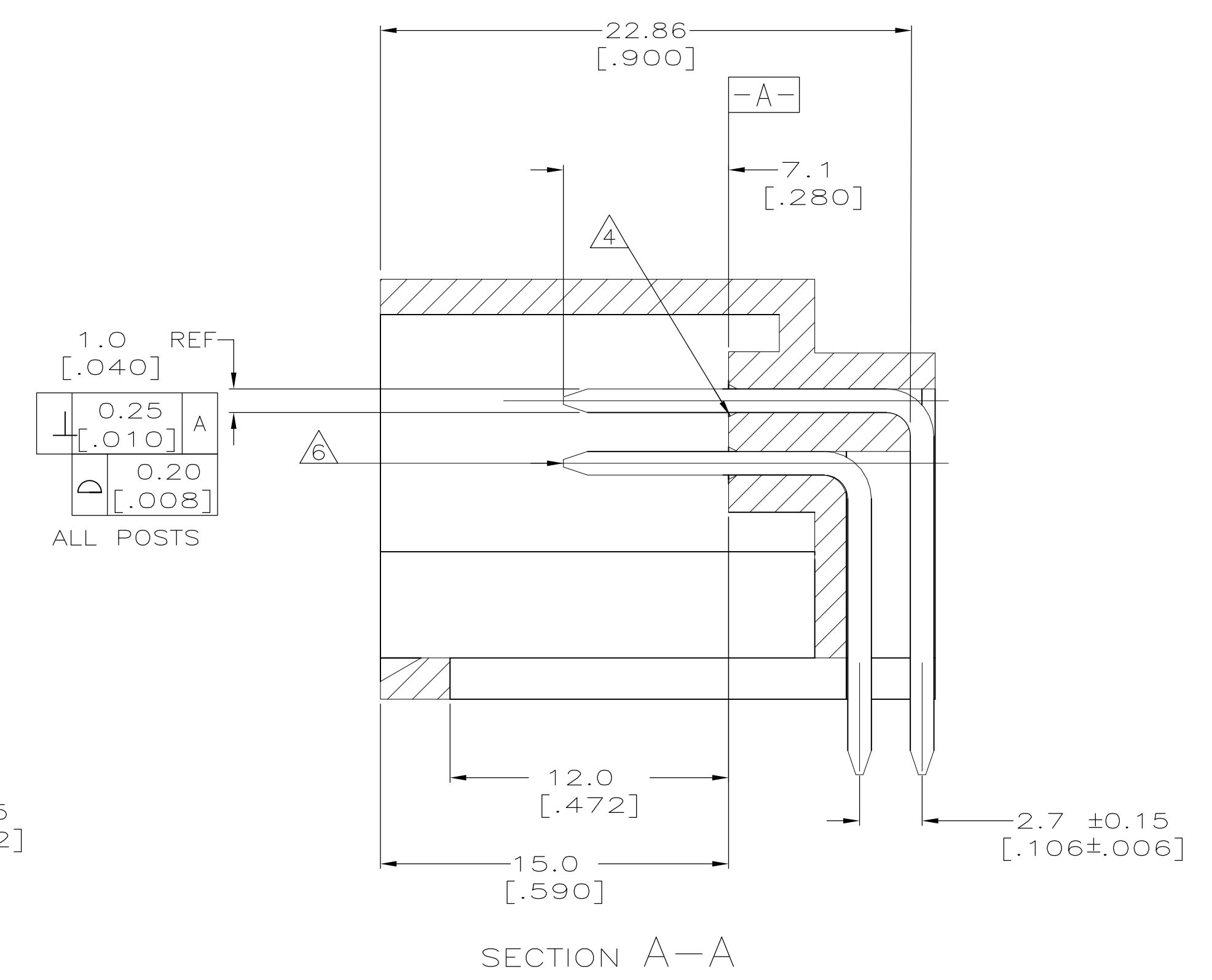
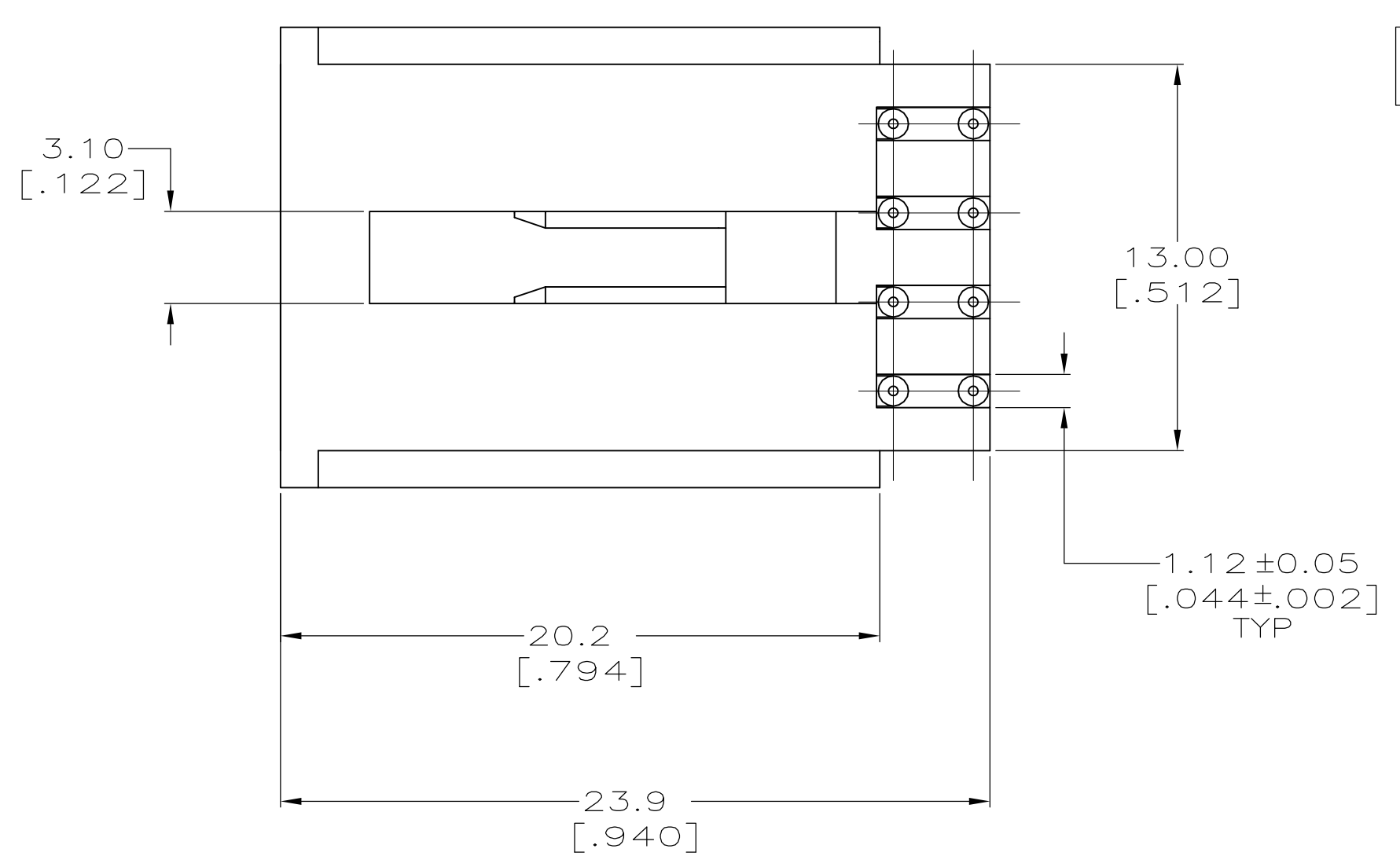
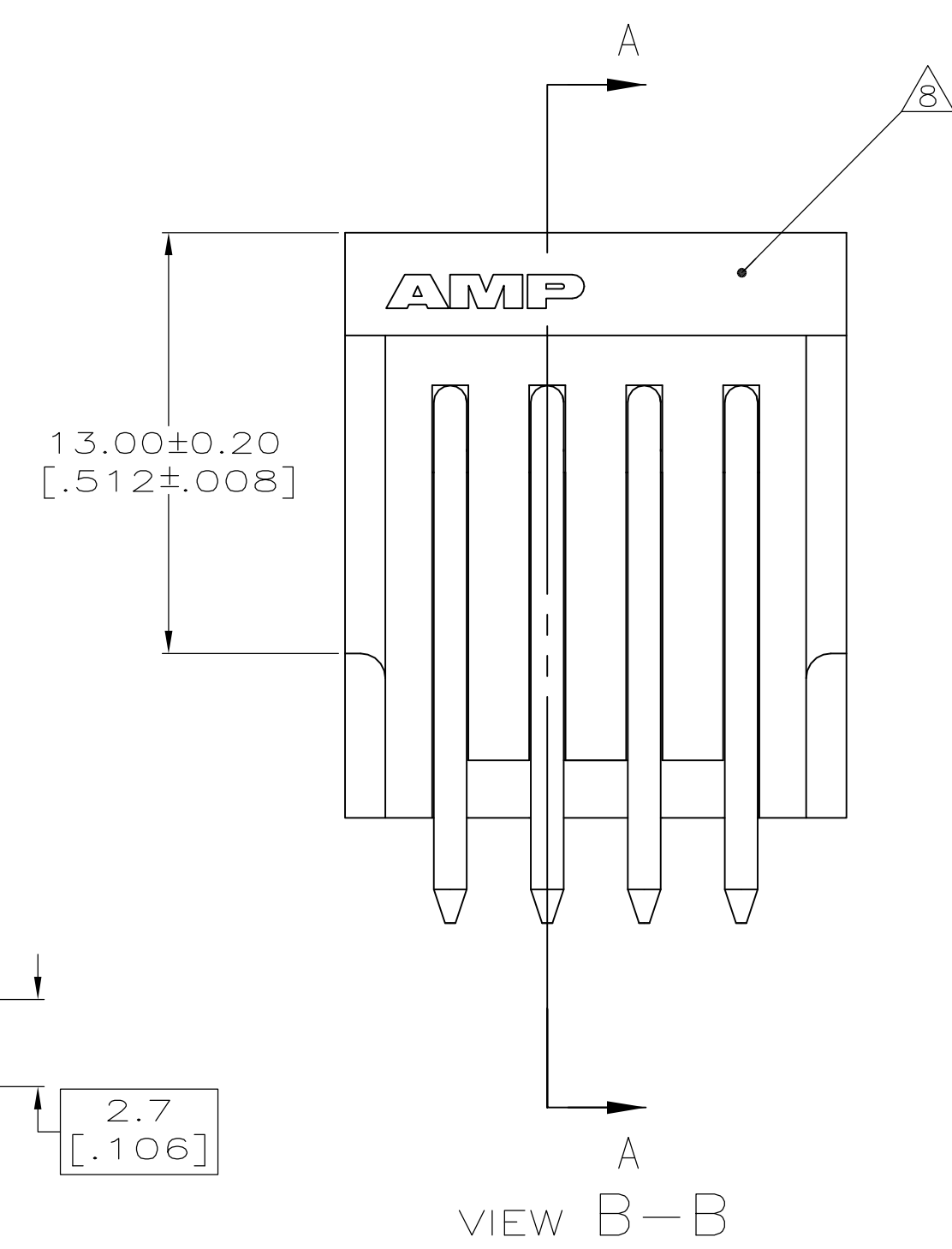
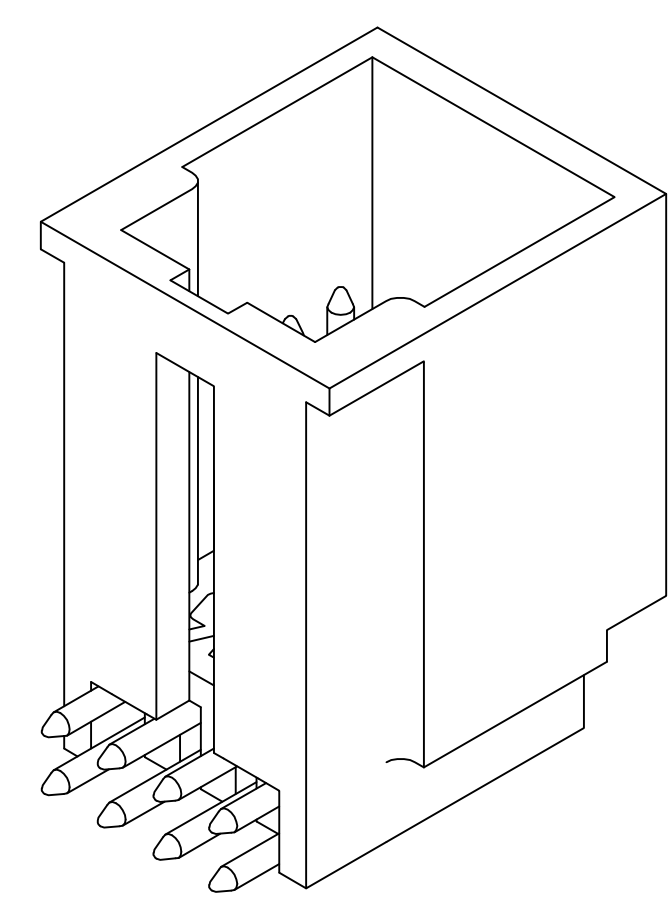
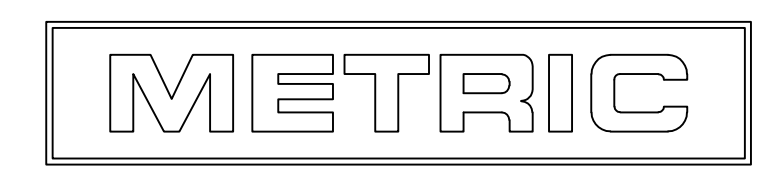


- 1 MATERIAL:
HOUSING: THERMOPLASTIC POLYESTER PBT, FLAME RETARDED UL94V-0.
POST: COPPER ALLOY
- 2 FINISH:
HOUSING: NATURAL
POST: MATTE TIN OVER COPPER OR NICKEL UNDERPLATE.
3. POST SOLDER TAILS TO COMPLY WITH AMP SOLDERABILITY SPEC 109-11-2.
- 4 PLASTIC PROTRUSIONS AROUND POST CAN NOT EXTEND BEYOND -A-.
- 5 MEASURED AT -A-.
- 6 POST MUST WITHSTAND 15.57 N [3.5 LB] MIN AXIAL FORCE IN THIS DIRECTION WITHOUT DISLODGING.
- 7 SOLDER SIDE OF BOARD IS SHOWN.
- 8 MOLD CAVITY IDENTIFICATION LOCATION.
9. DIMENSIONS IN BRACKETS ARE IN INCHES.
- 10 ONE HOLE MAY BE UNDERSIZED (1.09 [.043] - 1.17 [.046] DIA) FOR RETENTION DURING WAVE SOLDERING.



RECOMMENDED MOUNTING HOLE PATTERN FOR 1.60 [.063] THICK P.C. BOARD

644590-1
PART NO



THIS DRAWING IS A CONTROLLED DOCUMENT.		DIN S. CARPENTER 06AUG2003		Tyco Electronics Corporation	
DIMENSIONS: mm [INCHES]		CHK: D. ROSSI 06AUG2003		Tyco Electronics Corporation Harrisburg, PA 17105-3608	
TOLERANCES UNLESS OTHERWISE SPECIFIED:		APP'D: D. ROSSI 06AUG2003		NAME: HEADER, SHROUDED, 8 POSITION, DUAL ROW, RIGHT ANGLE, SPECIAL	
0 PLC ±		APPLICATION SPEC		SIZE: A1	
1 PLC ±		WEIGHT: 0.00779 g		CAGE CODE: 644590	
2 PLC ±		CUSTOMER DRAWING		SCALE: 5:1	
3 PLC ±		RESTRICTED TO		SHEET: 1 OF 1	
4 PLC ±		REV: F		REV: F	
ANGLES ± 0°30'					