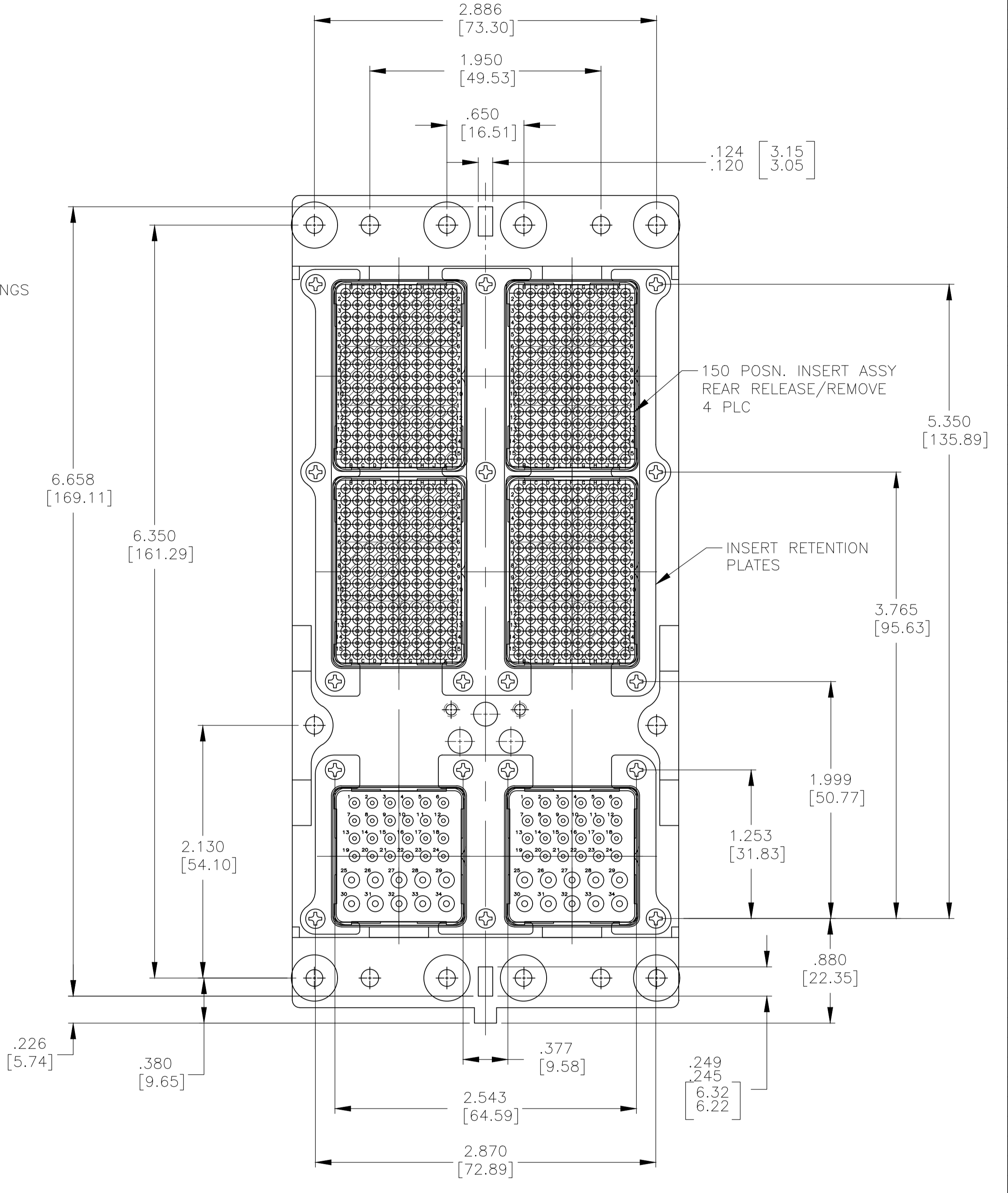
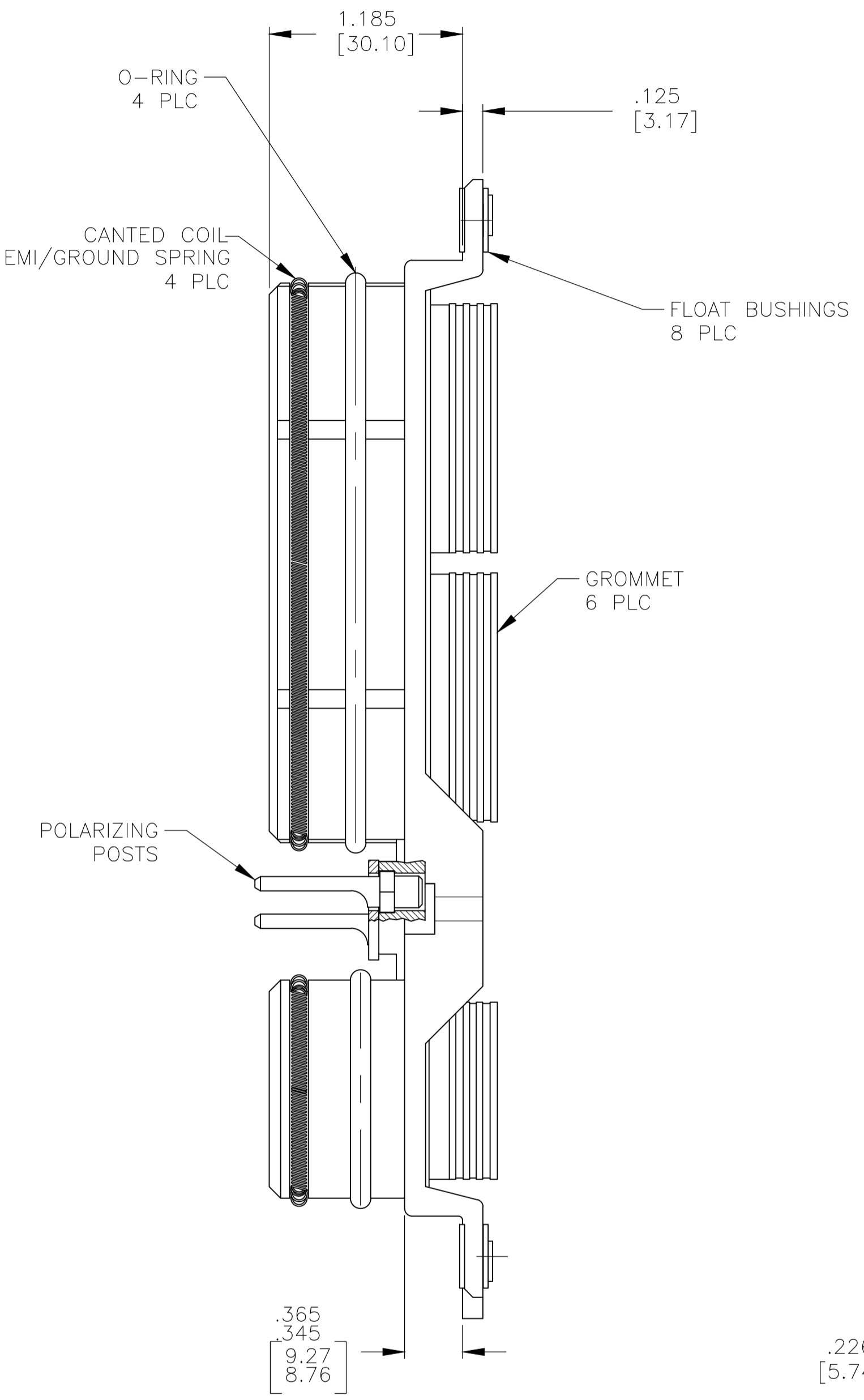
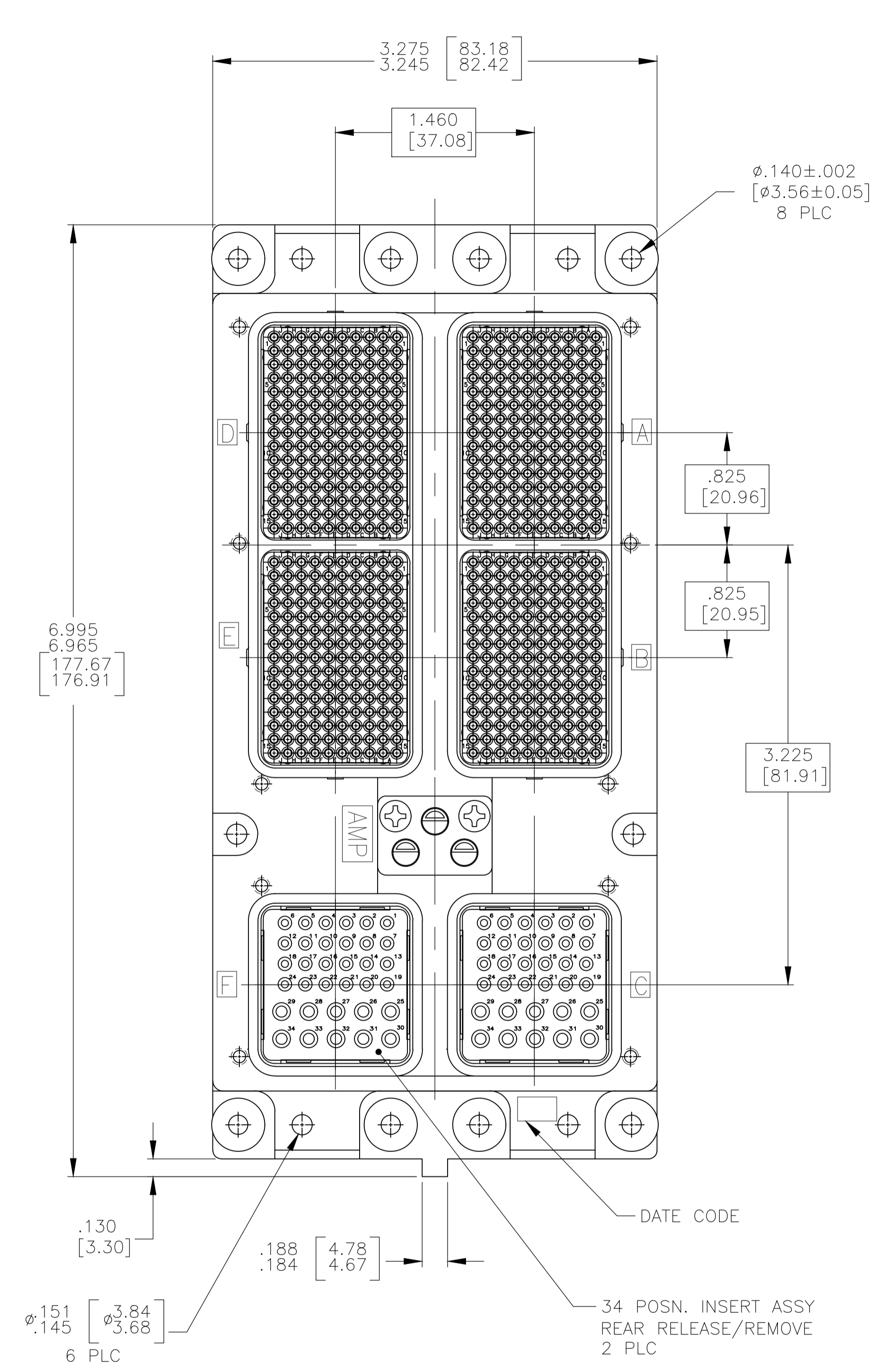


REVISIONS				
P	LTR	DESCRIPTION	DATE	BY
C		REVISED PER ECO-17-015513	20DEC2017	PHM CT

- CONNECTOR DIMENSIONS ARE PER ARINC 600 SPECIFICATION
- DUST COVER, QTY=2, (NOT SHOWN) INSTALLED FOR SHIPPING.
- KEYING SHOWN IN POSITION "01" FOR REFERENCE ONLY. SEE TABLE FOR KEYING POSITION. FOR POSITION "00" KEYING SHIPPED UNASSEMBLED.
- SEALANT APPLIED AROUND INSERTS.
- CONTACTS ARE PACKAGED IN A SEPARATE CONTAINER (1996465-2 ONLY.)



COMPONENT	MATERIAL	FINISH
SHELL	DIE CAST ALUMINUM PER ASTM-B-85	ELECTROLESS NICKEL PER MIL-C-26074, CLASS 4, GRADE B
INSERT RETENTION PLATES	ALUMINUM ALLOY PER ASTM-B-209	ELECTROLESS NICKEL PER MIL-C-26074, CLASS 4, GRADE B
SCREWS	STEEL OR STAINLESS STEEL	PASSIVATED
POLARIZING POSTS	ZINC ALLOY PER ASTM-B-86	ELECTROLESS NICKEL PER MIL-C-26074, CLASS 4, GRADE B
POLARIZING POST RETAINING PLATE	ALUMINUM ALLOY PER ASTM-B-209	BLUE ANODIZED PER MIL-A-8625
ALL INSERTS	THERMOSET	-
O-RING	FLUOROSILICONE	-
COIL SPRING	BERYLLIUM COPPER	NICKEL PLATED

KEYING POSITION	CONTACTS INCLUDED AND NOT INSTALLED	PART NUMBER
01	MODULE A, B, D & E 208262-3 (SZ 22 CRIMP PIN CONTACT (QTY = 150 PER INSERT) MODULE C 208267-2 (SZ 20 CRIMP SKT CONTACT; QTY=24) 208270-2 (SZ 16 CRIMP SKT CONTACT; QTY=10) MODULE F 208267-2 (SZ 20 CRIMP SKT CONTACT; QTY=24) 208270-2 (SZ 16 CRIMP SKT CONTACT; QTY=10)	1996465-2
01	CONTACTS NOT INCLUDED	1996465-1

THIS DRAWING IS A CONTROLLED DOCUMENT.

STE TE Connectivity

PLUG ASSY, SIZE 3, ARINC 600 (150/150/34/150/150/34) WITH FLOAT BUSHINGS

SIZE: A1, CASE CODE: 00779, DRAWING NO: 1996465, WEIGHT: 1996465

CUSTOMER DRAWING, SCALE: 1:1, SHEET: 1 OF 1, REV: C