

4

3

2

1

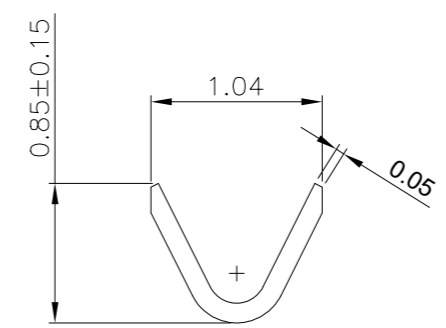
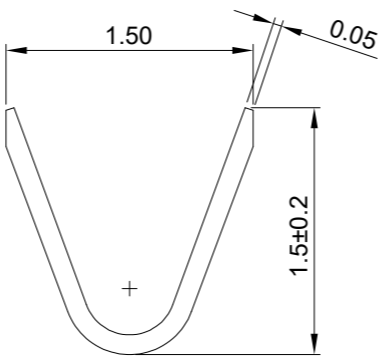
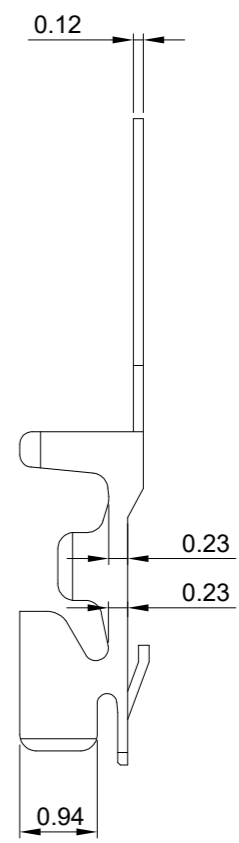
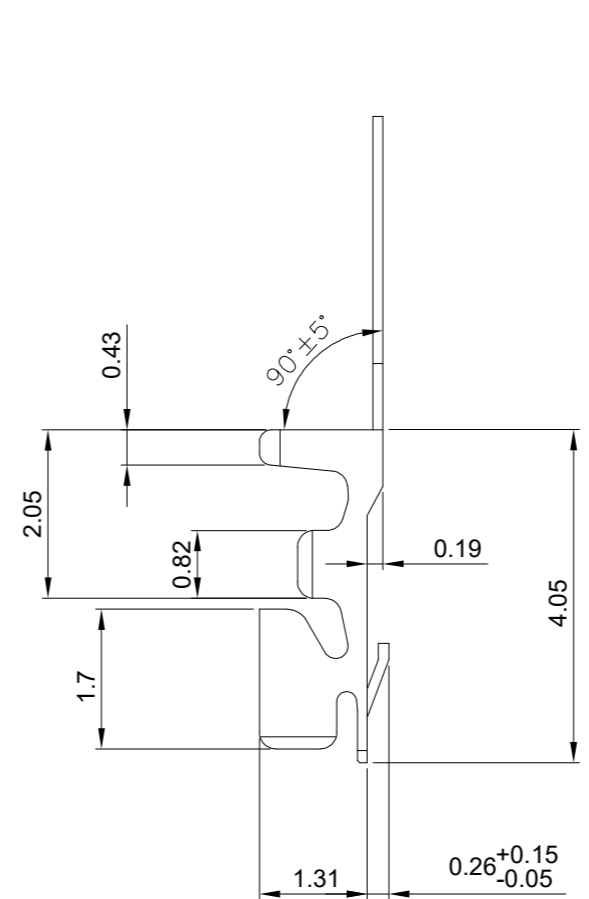
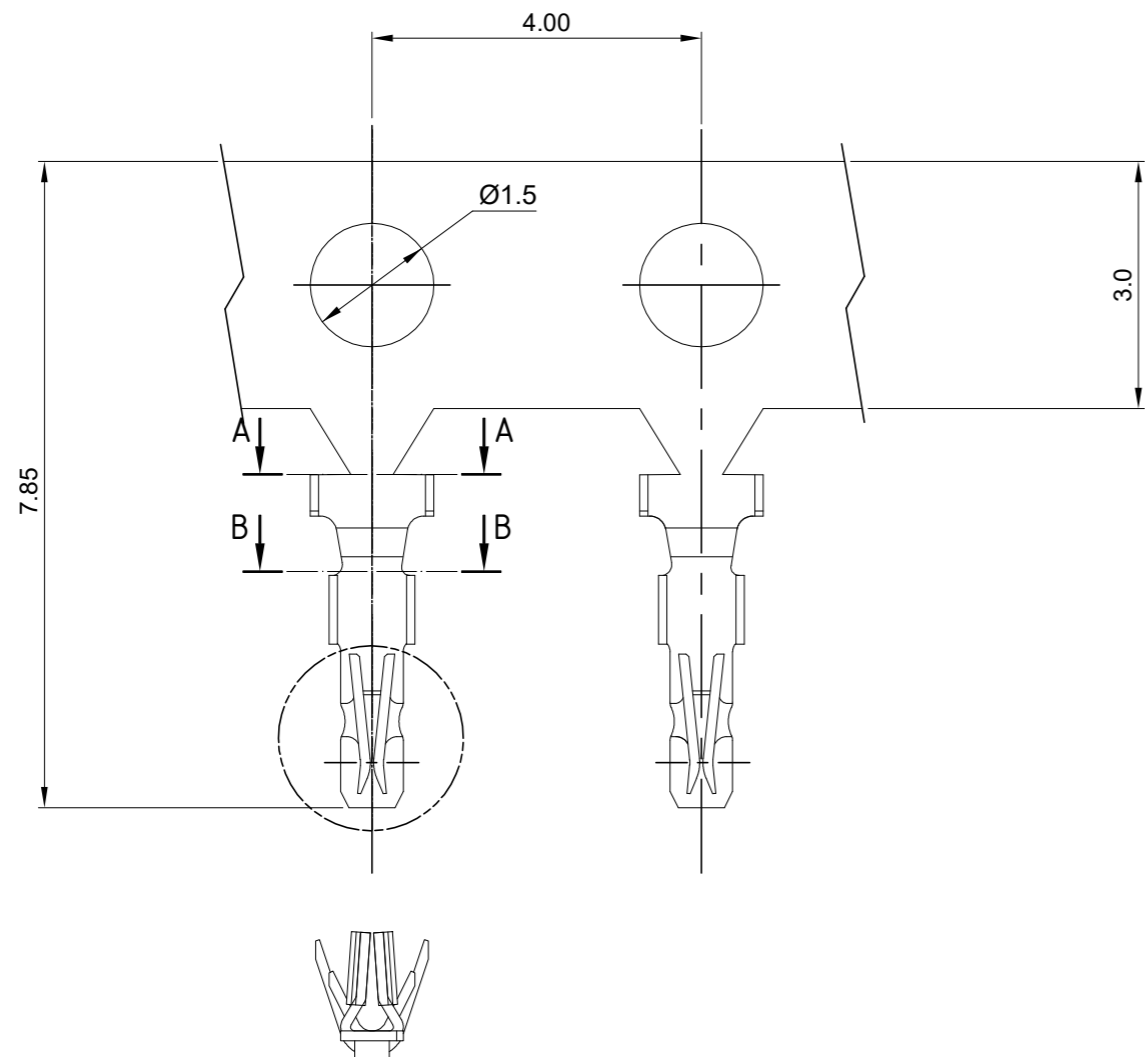
THIS DRAWING IS UNPUBLISHED. RELEASED FOR PUBLICATION AUG ,2006.

© COPYRIGHT 2009 BY TYCO ELECTRONICS CORPORATION. ALL RIGHTS RESERVED.

LOC DW DIST

REVISIONS

P	LTR	DESCRIPTION	DATE	DWN	APVD
	C1	ECR-19-000085	02SEP2019	T.Q	WH



SECTION A-A

SECTION B-B

- NOTE:
- MATERIAL: PHOSPHOR BRONZE.
 - FINISH: 80~110µ" BRIGHT TIN PLATING OVER ALL; 15~40µ" NICKEL UNDER PLATING
 - NO TE LOGO AND DATE CODE ON THE PRODUCT.
 - APPLICABLE WIRE RANGE: AWG #28 THRU #32
 - PART NUMBER OF RECEPTACLE HOUSING: X-1470364-X & X-2041214-X.
 - PART NUMBER OF MATING PLUG:
LOW HALOGEN TYPE: X-2041190-X, X-2041191-X, X-2041202-X
HALOGEN TYPE: X-1734709-X, X-1734595-X.

1734597-1
PART NUMBER

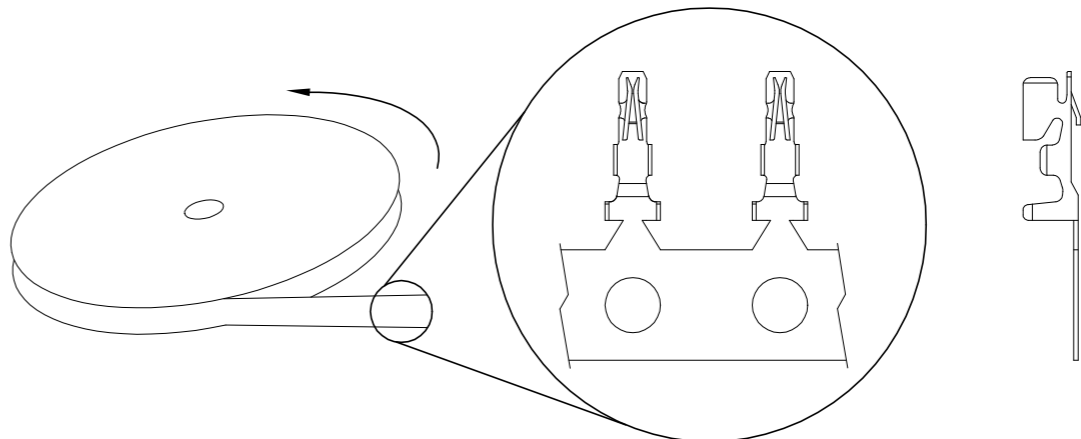
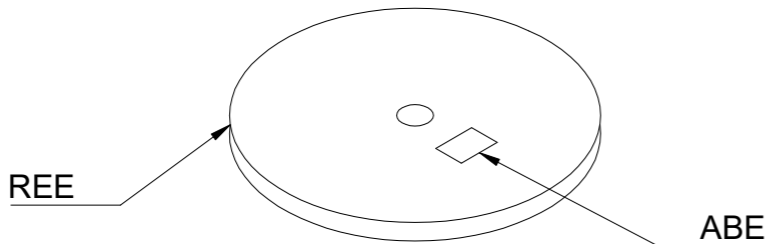
THIS DRAWING IS A CONTROLLED DOCUMENT.		DWN A. WU 26JUL2007	Tyco Electronics Corporation Tyco Electronics Taipei, Taiwan	
DIMENSIONS: MM		CHK S. HOU 26JUL2007	NAME	
TOLERANCES UNLESS OTHERWISE SPECIFIED:		APVD W.J. KE 26JUL2007	1.0 MM PITCH WIRE TO BOARD CONNECTOR, RECEPTACLE, SMT, TERMINAL	
0 PLC ± -		PRODUCT SPEC	SIZE CAGE CODE DRAWING NO RESTRICTED TO	
1 PLC ± 0.15		108-57264	A3	00779 C=1734597
2 PLC ± 0.1		APPLICATION SPEC	SCALE SHEET 1 OF 2 REV C1	
3 PLC ± -		WEIGHT SEE TABLE		
4 PLC ± -		CUSTOMER DRAWING		
ANGLES ± 3'				
MATERIAL SEE NOTE	FINISH SEE NOTE			

THIS DRAWING IS UNPUBLISHED. RELEASED FOR PUBLICATION AUG ,2006.
 © COPYRIGHT 2009 BY TYCO ELECTRONICS CORPORATION. ALL RIGHTS RESERVED.

LOC	DIST	REVISIONS					
DW		P	LTR	DESCRIPTION	DATE	DWN	APVD
				SEE SHEET 1.			

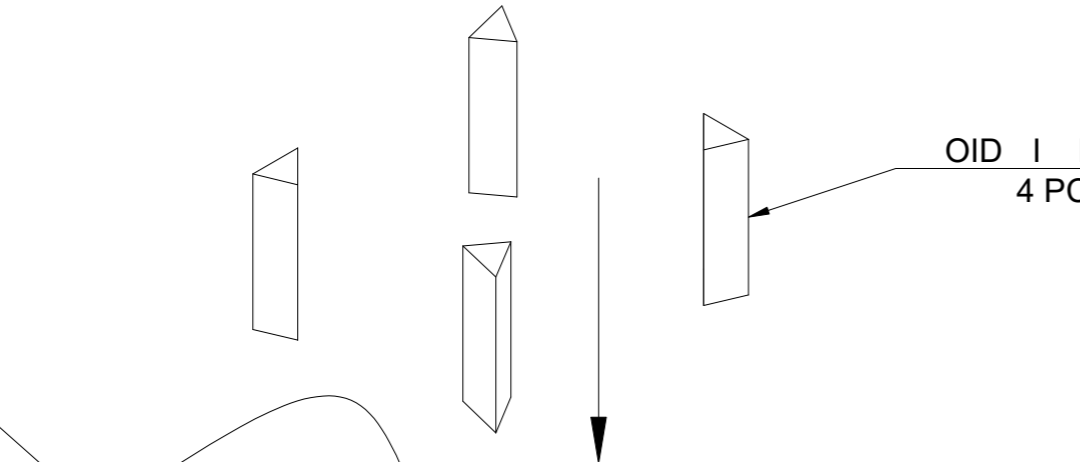
D

D

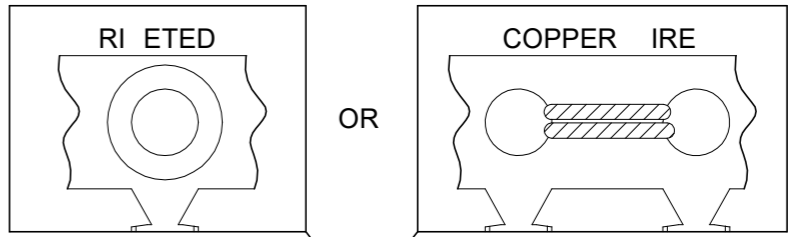


OID I ER
4 PCS

DESICCANT

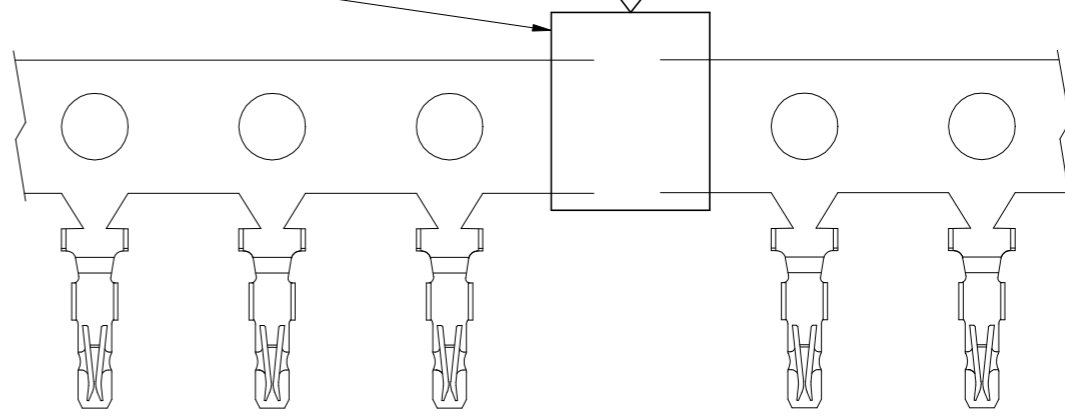


CONNECTIN MET OD CON I URATION



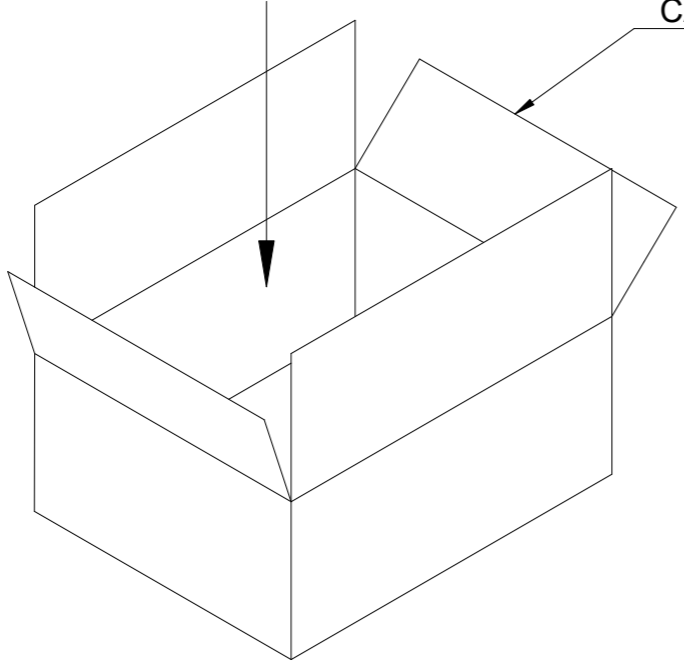
OR

2 CONNECT POINTS MA . PER REE



P ASTIC BA

CARTON



472 472 175	7	15000	105000 PCS
CARTON DIMENSIONS	REE S CARTON	PCS REE	UANTIT

THIS DRAWING IS A CONTROLLED DOCUMENT.		DWN	Tyco Electronics Corporation	
DIMENSIONS: MM		CHK	Taipei, Taiwan	
TOLERANCES UNLESS OTHERWISE SPECIFIED:		APVD	NAME	
0 PLC ± -	1 PLC ± -	PRODUCT SPEC	1.0 MM PITCH WIRE TO BOARD CONNECTOR, RECEPTACLE, SMT, TERMINAL	
2 PLC ± -	3 PLC ± -	APPLICATION SPEC	SIZE	RESTRICTED TO
4 PLC ± -	ANGLES ± -	WEIGHT	A3 00779	CAGE CODE
MATERIAL SEE NOTE	FINISH SEE NOTE	CUSTOMER DRAWING	C=1734597	DRAWING NO
			SCALE	SHEET 2 OF 2
				REV C1

A

A