

DATA CONTAINED IN THIS DOCUMENT IS PROPRIETARY TO TROMPETER ELECTRONICS INC. AND SHALL NOT BE DISCLOSED, COPIED OR USED FOR PROCUREMENT OR MANUFACTURE WITHOUT EXPRESS WRITTEN PERMISSION.

DWG SIZE
A

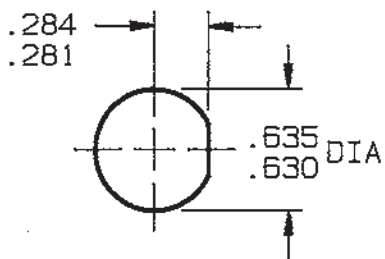
DISK #
H10

REVISIONS

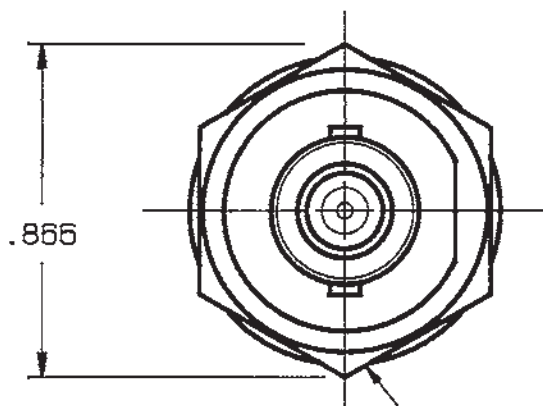
3-0215

SH 1

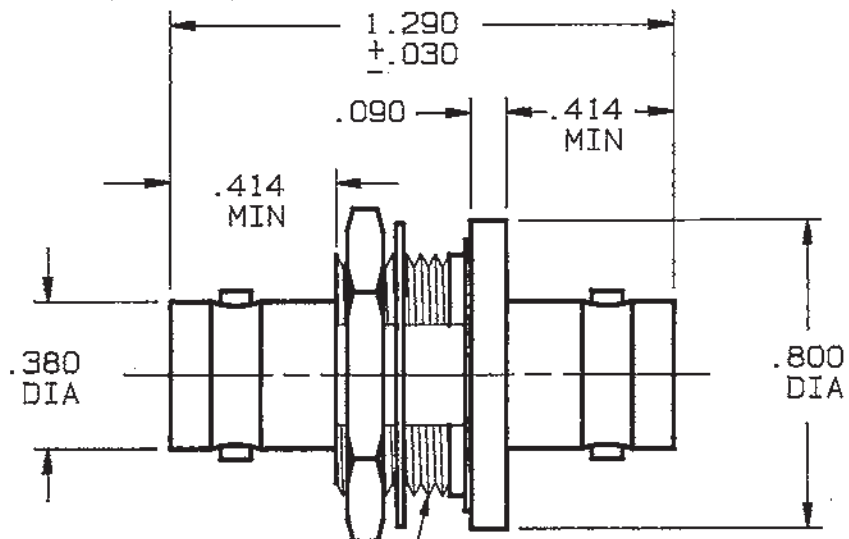
REV	EO	DESCRIPTION	DWN	APPROVED	DATE
B	9058	SHT 2 ADDED END VIEW AND NOTE ①	J S	E.E.; DM; <i>RF</i>	11-16-90



RECOMMENDED
PANEL CUTOUT
SCALE: NONE



.750 HEX NUT



.625-24UNEF-2A


INCH	MM
.005	0.13
.030	0.76
.090	2.29
.140	3.56
.281	7.14
.284	7.21
.380	9.65
.414	10.52
.630	16.00
.635	16.13
.750	19.05
.800	20.32
.866	22.00
1.290	32.77

4. FEMALE 50 OHM CONCENTRIC TWINAX/TRIAX 2-LUG BAYONET FEED THRU INSULATED BULKHEAD RECEPTACLE

3. MAX PNL THK .140

2. FINISH: TFS-1A (NICKEL)

1. ALL DIM ARE IN INCHES

QTY	DESCRIPTION		PART NUMBER	ITEM
TOL UNLESS SPECIFIED			BJ73TL	
.XX ±				
.XXX ± .005		MATERIAL	CODE IDENT	DRAWING NO.
.XXXX±		—	14949	3-0215
ANGLES±		DWN	J S	11/13/90
DWN		J S	11/13/90	REV
CHK		E.E.	11-14-90	B
ENGR		DM	11-15-90	
NEXT ASSY		APPR	<i>RF</i>	11-15-90
SCALE 2/1		DATE 5/21/84	SHEET 1 OF 2	