

Sylvain Rochon
R&D Manager

ITT Cannon
Switch Products

Av du Mal de Lattre de Tassigny
B.P. 359
F-39105 Dole Cedex
Tél. : 33 (0) 3 84 72 94 24
Fax : 33 (0) 3 84 72 95 92
sylvain.rochon@cannon.de.ittind.com

| | |
|---|--|
| TPA BUTTON SPECIFICATION | |
| <u>Established by</u> : E. SERMET | Date : 08/01/01 Rev : B Rev date : 30/03/05 |

This document, attached documents and attached drawings cannot be communicated to anybody without written agreement of ITT CANNON.

| REVISION | DATE | REASON OF MODIFICATION | COMMENTS |
|----------|------------|------------------------------|----------|
| A | 16/02/2001 | Improve of the buttons stops | |
| B | 30/03/2005 | Crimping shape for actuator | |

TPA BUTTON SPECIFICATION

This document has for objective to help the design of the buttons which are placed on TPA switches.

1 – Drawing of the button (page 2)

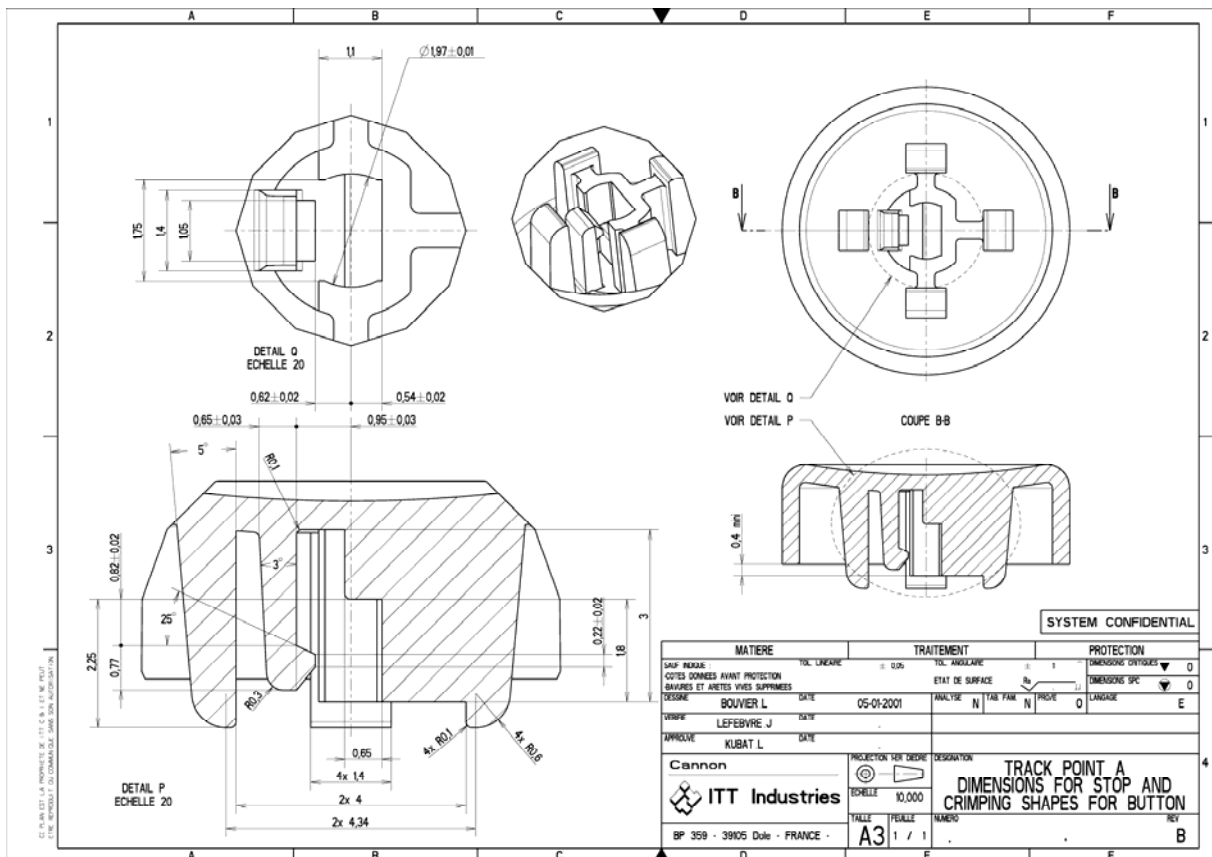
This drawing defines the stops which allow to protect the TPA against overloading.

The drawing also defines the button cavity dimensions where the TPA actuator is introduced.

The tolerances of the stops and of the shape of the actuator cavity must be respected in order to be in accordance with the simulation sketches concerning the scanning and select positions (see pages 4 to 7).

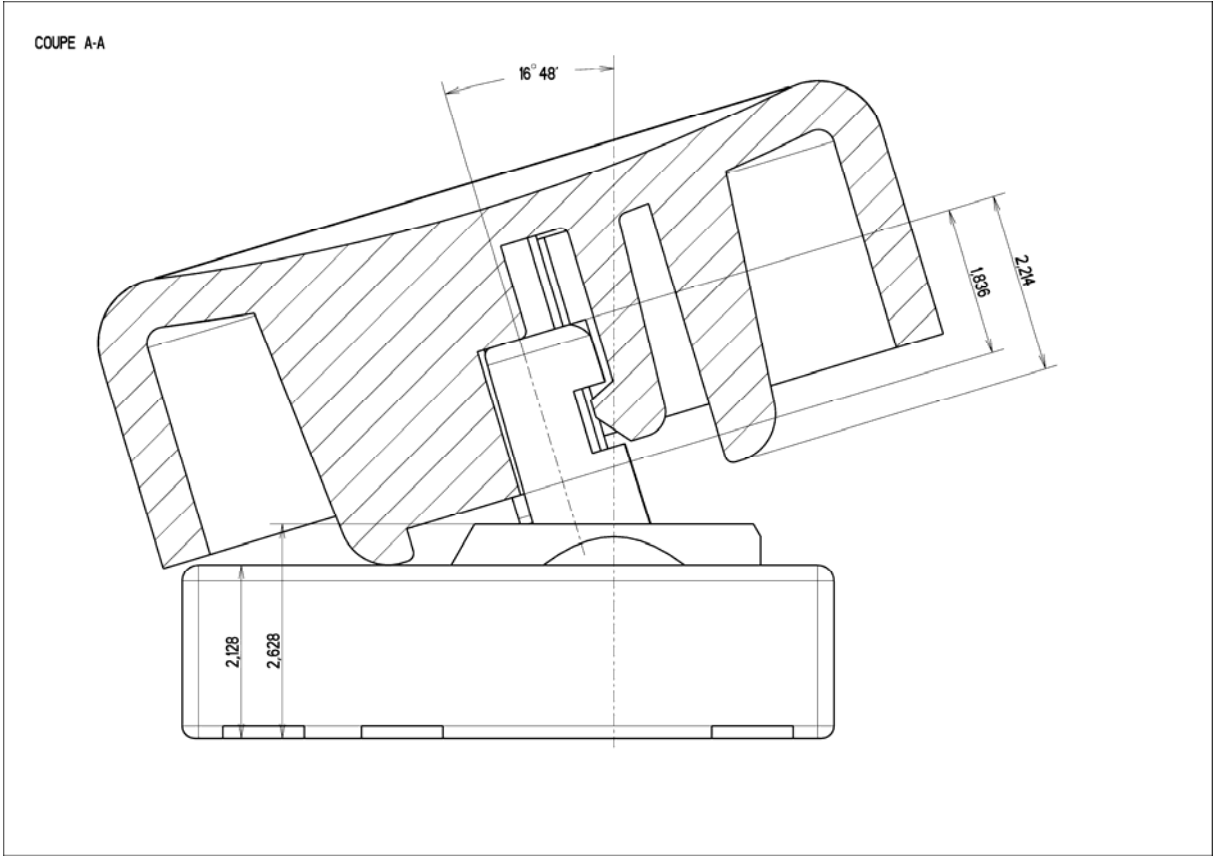
The upper shape of the top of the button is only given for information. It is not optimised and has to be adapted according to the customer application.

The minimum diameter recommended for the button would be 10 mm.



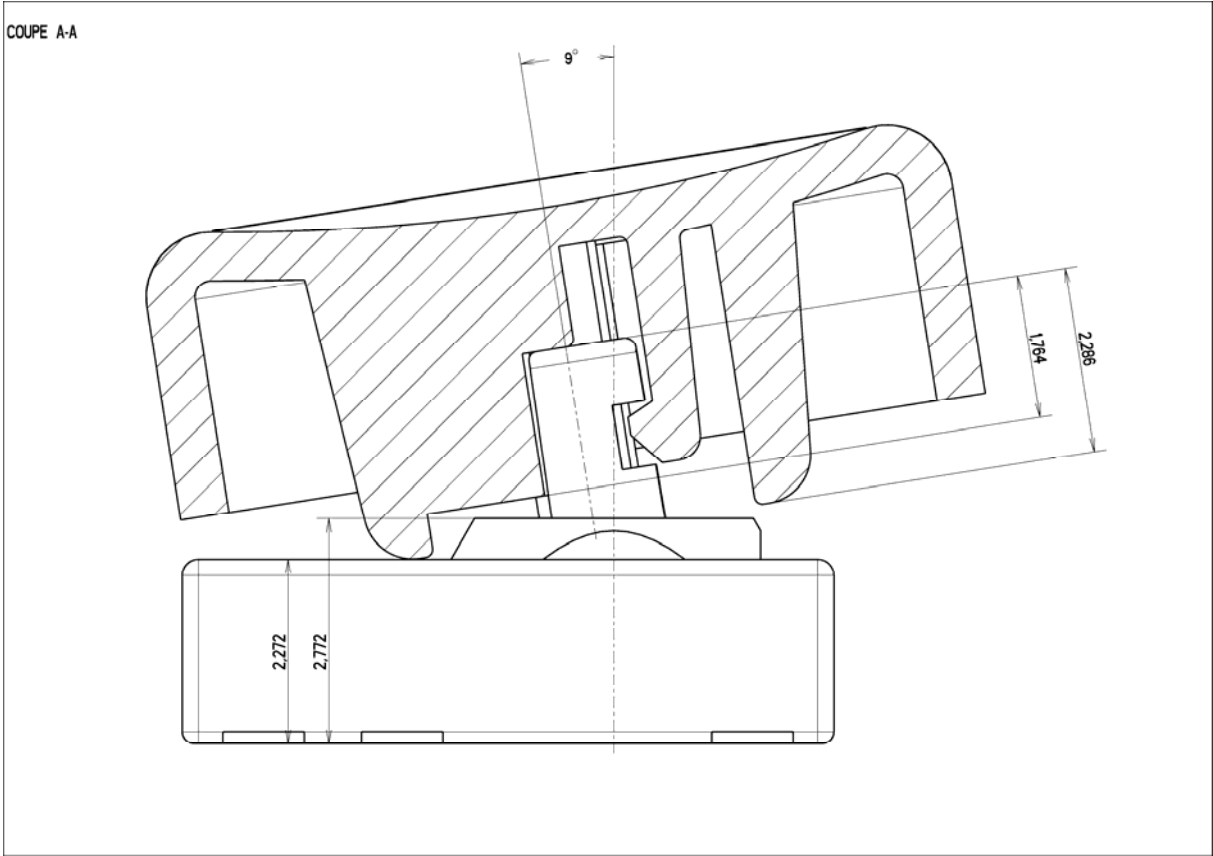
2 – Scanning simulation : maximum position

This drawing represents the maximum operating angle on SCANNING direction.



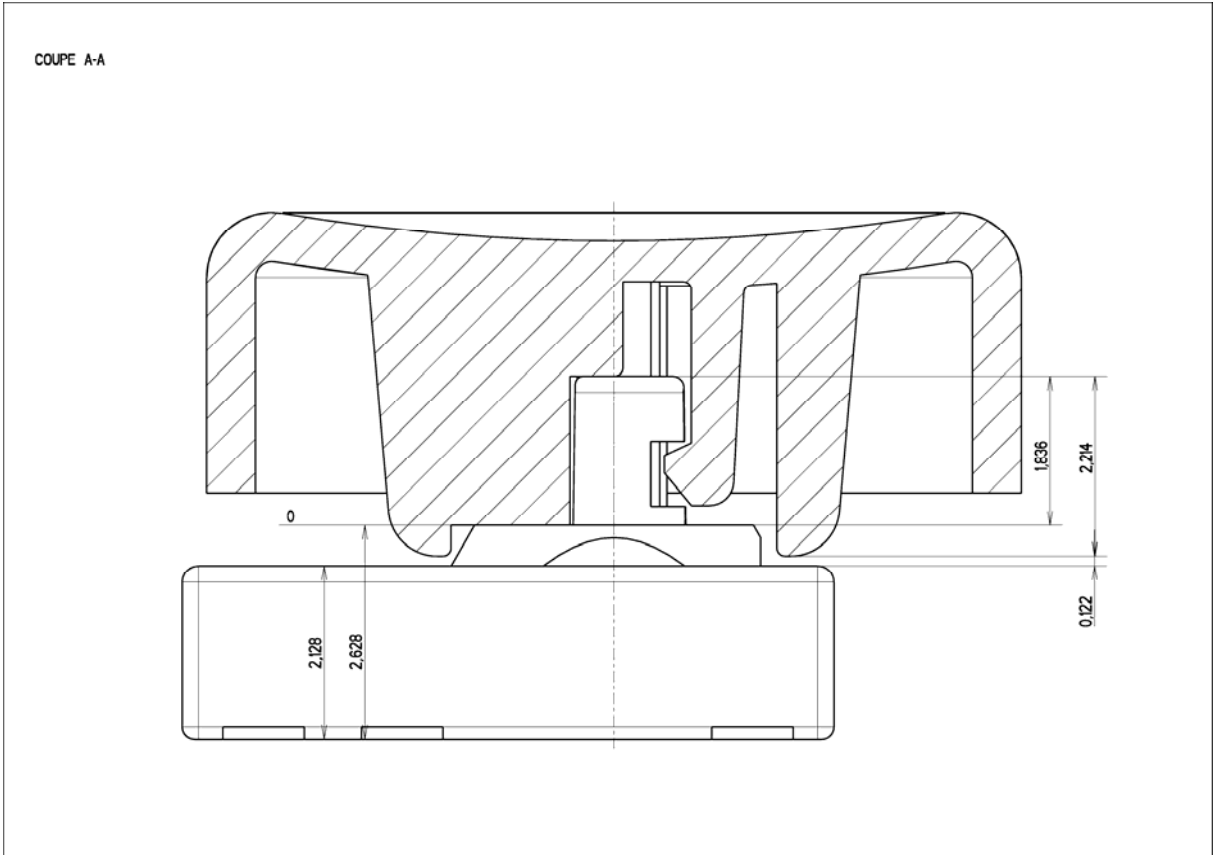
3 – Scanning simulation : minimum position

This drawing represents the minimum operating angle for the SCANNING direction.



4 – Select simulation : maximum position

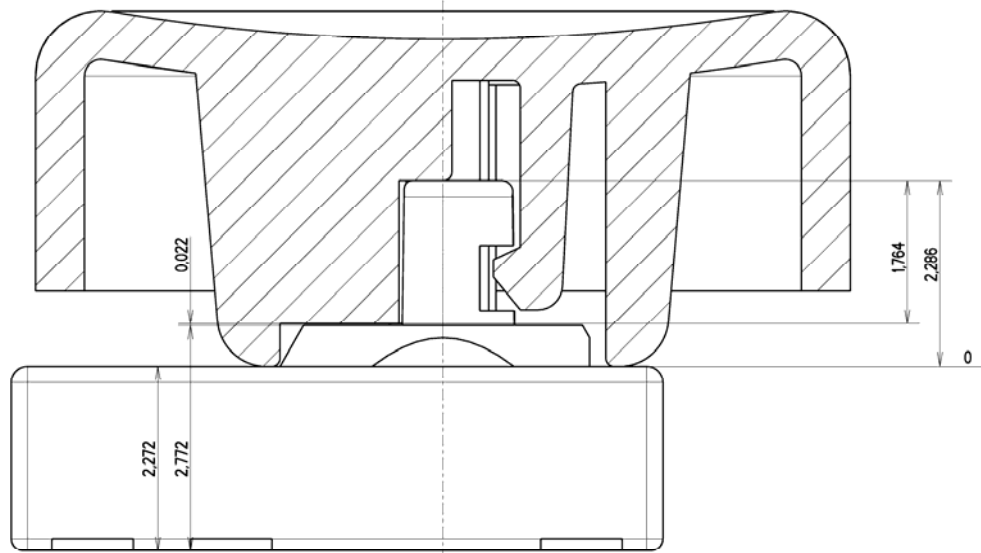
This drawing represents the maximum travel for the SELECT direction.



5 – Select simulation : minimum position

This drawing represents the minimum travel for the SELECT direction.

COUPE A-A



6 – INITIAL POSITION : (nominal)

