

CM3032V121R-10

UNCONTROLLED DOCUMENT

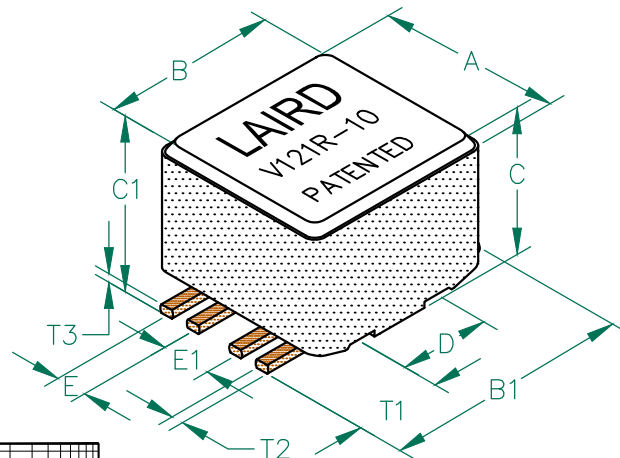
RoHS

PHYSICAL DIMENSIONS:

A	7.62 [.300]	+ 0.13 [.005]
B	8.13 [.320]	+ 0.13 [.005]
B ₁	10.92 [.430]	MAX
C	5.72 [.225]	+ 0.10 [.004]
C ₁	6.35 [.250]	MAX
D	4.06 [.160]	+ 0.05 [.002]
E	1.27 [.050]	+ 0.13 [.005]
E ₁	2.03 [.080]	+ 0.13 [.005]

WIRE DIMENSIONS:

T ₁	3.30 [.130]	+ 0.38 [.015]
T ₂	0.64 [.025]	TYP.
T ₃	0.38 [.015]	TYP.

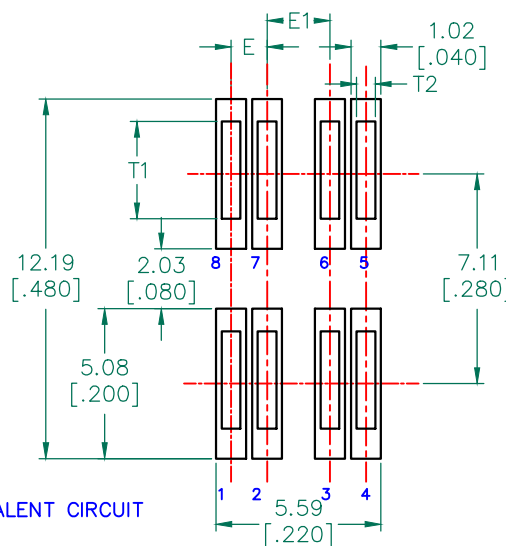


ELECTRICAL CHARACTERISTICS:		
Z @ 100MHz (Ω)	DCR (Ω)	Rated Current
Nominal	120	
Minimum	90	
Maximum	150	0.01
		8,000 mA

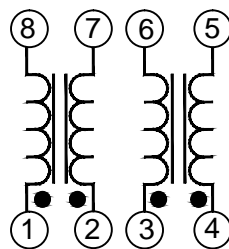
NOTES: UNLESS OTHERWISE SPECIFIED

1. TAPED AND REELED per CURRENT EIA SPECIFICATIONS 13" REELS, 400 PCS/REEL.
2. COMPONENTS SHOULD BE ADEQUATELY PREHEATED BEFORE SOLDERING.
3. REF. CARRIER TAPE SPECIFICATION # CART3032-13.
4. TERMINATION FINISH IS 100% TIN.
5. THIS PART HAS NO PIN POLARITY.
6. OPERATION TEMPERATURE (INCLUDING SELF-HEATING): -40 ~ +125°C.

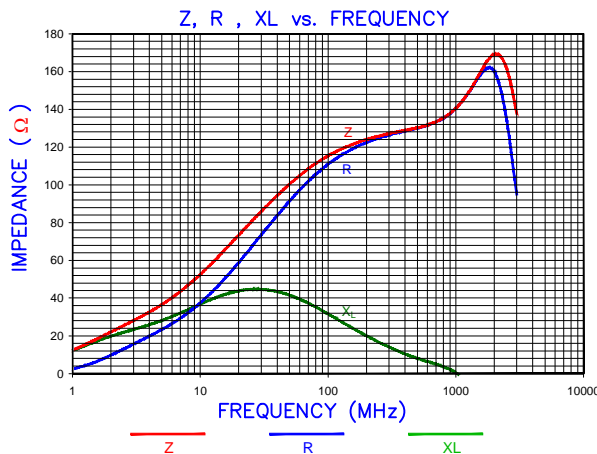
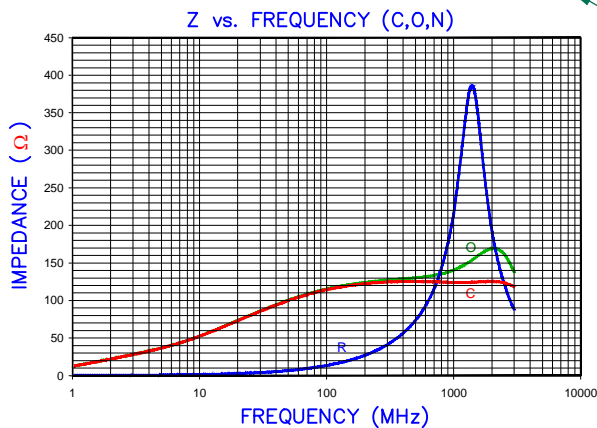
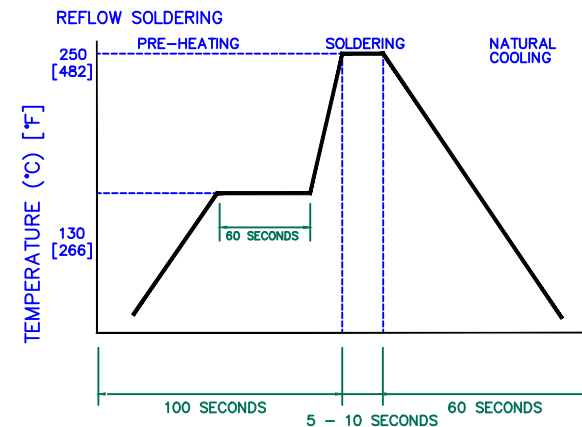
LAND PATTERNS FOR REFLOW SOLDERING



EQUIVALENT CIRCUIT



RECOMMENDED SOLDERING CONDITIONS



AGILENT E4991A RF Impedance/Material Analyzer
 HP 16194A Test Fixture. TEST REF. 3007

DIMENSIONS ARE IN mm (INCHES).

This print is the property of Laird Tech. and is loaned in confidence subject to return upon request and with the understanding that no copies shall be made without the written consent of Laird Tech. All rights to design or invention are reserved.



D	ADD NOTE 6	08/30/12	QIU	PROJECT/PART NUMBER:	REV	PART TYPE:	DRAWN BY:
C	UPDATE LOGO, KAPTON LABEL ADD EC	11/06/08	JRK	CM3032V121R-10	D	CO-FIRE	JRK
B	UPDATE COMPANY LOGO	11/21/07	JRK	DATE: 06/16/04	SCALE: NTS	SHEET:	
A	ORIGINAL DRAFT	06/16/04	JRK	CAD #	TOOL # -		1 of 2
REV	DESCRIPTION	DATE	INT	CM3032V121R-10-D-1			