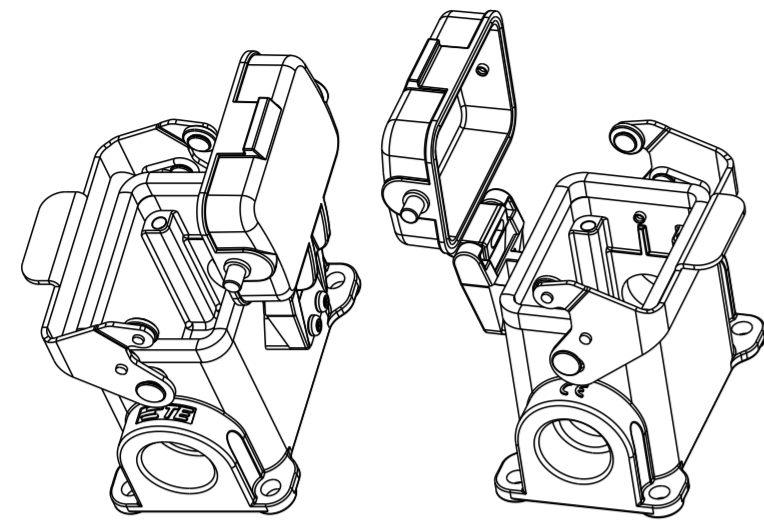
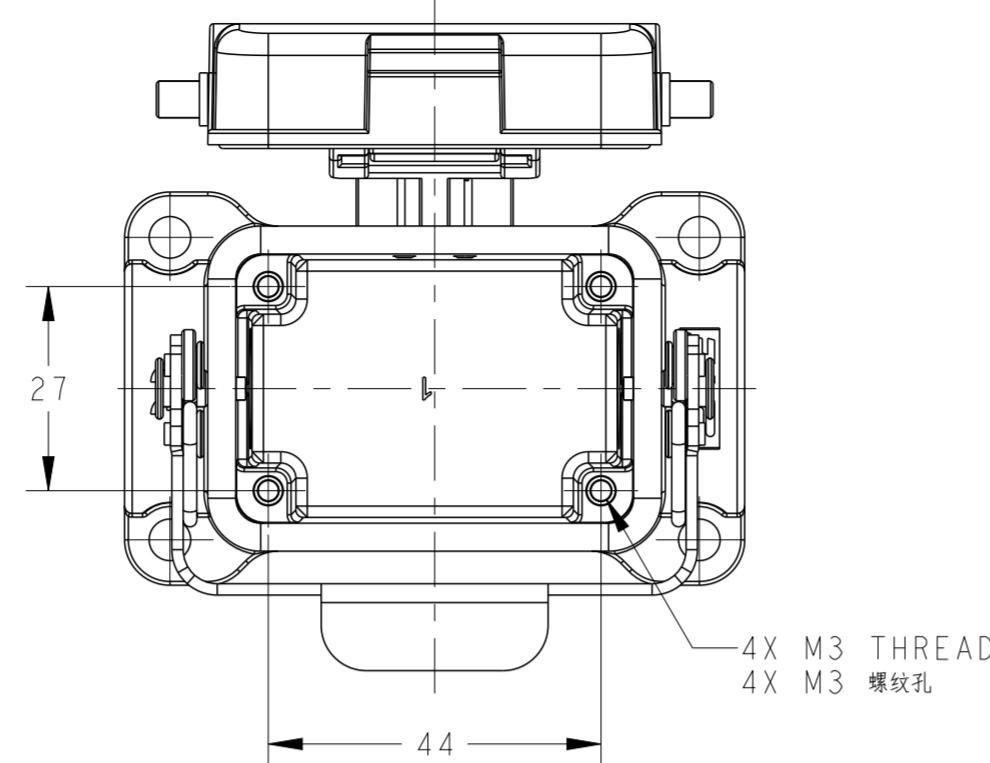


THIS DRAWING IS UNPUBLISHED. RELEASED FOR PUBLICATION 20
 © COPYRIGHT 20 BY - ALL RIGHTS RESERVED.

REVISIONS				
P	LTR	DESCRIPTION	DATE	APVD
A		INITIAL	23JUN2015	DW CW
B		ECR-20-007968	15JUN2020	WOR CW

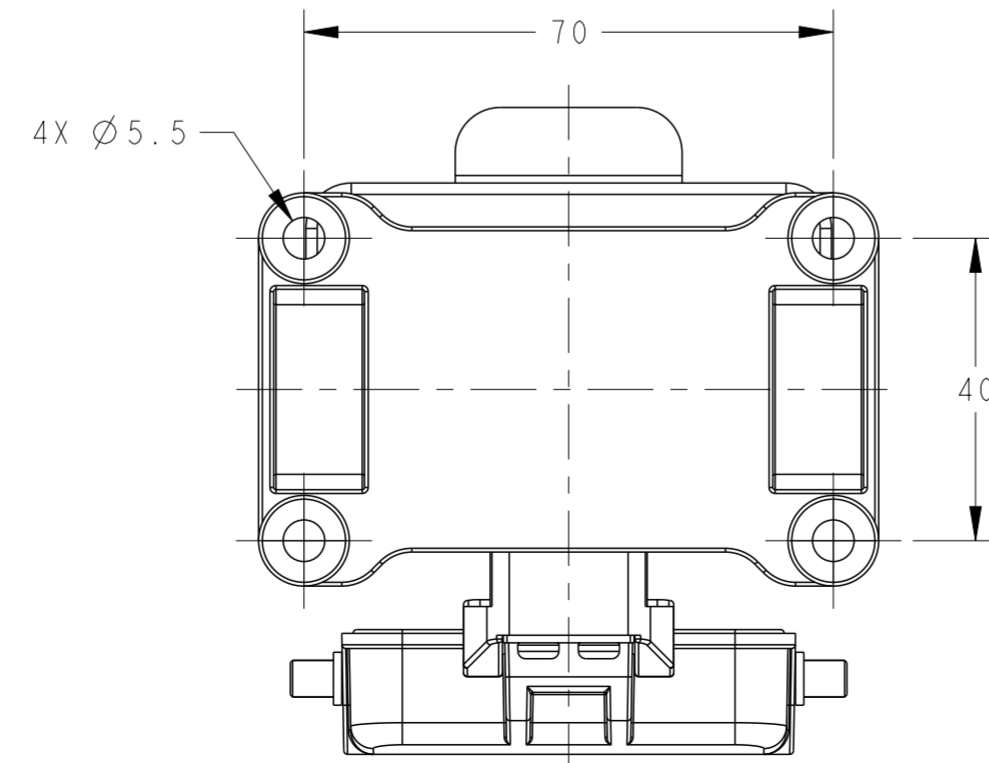
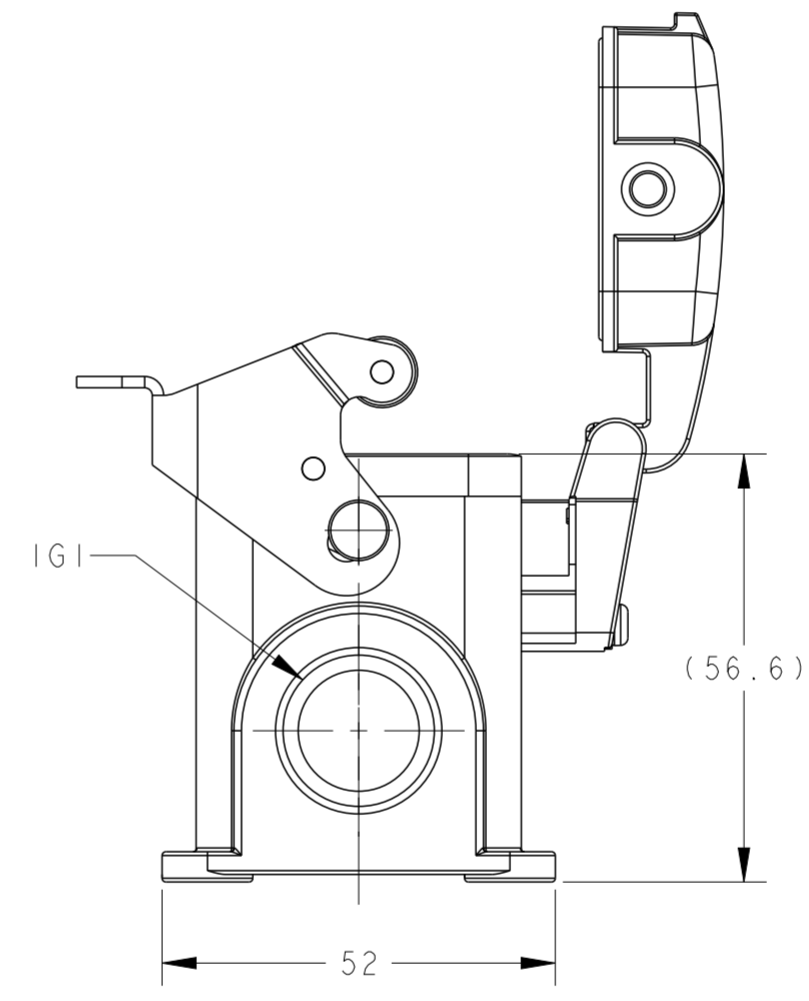
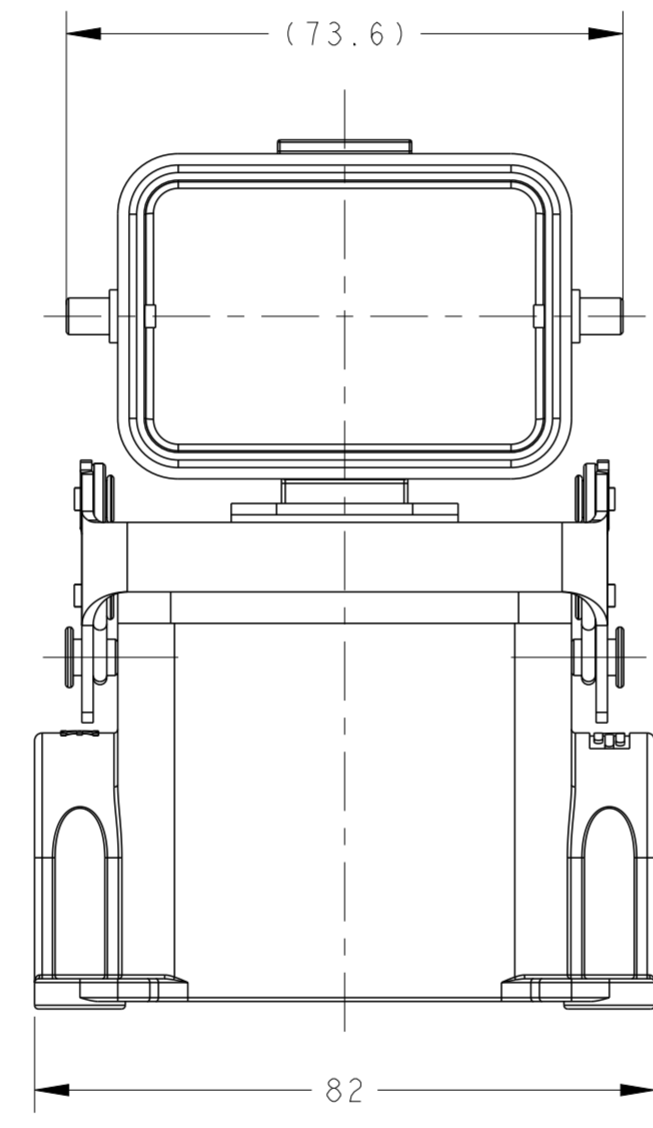
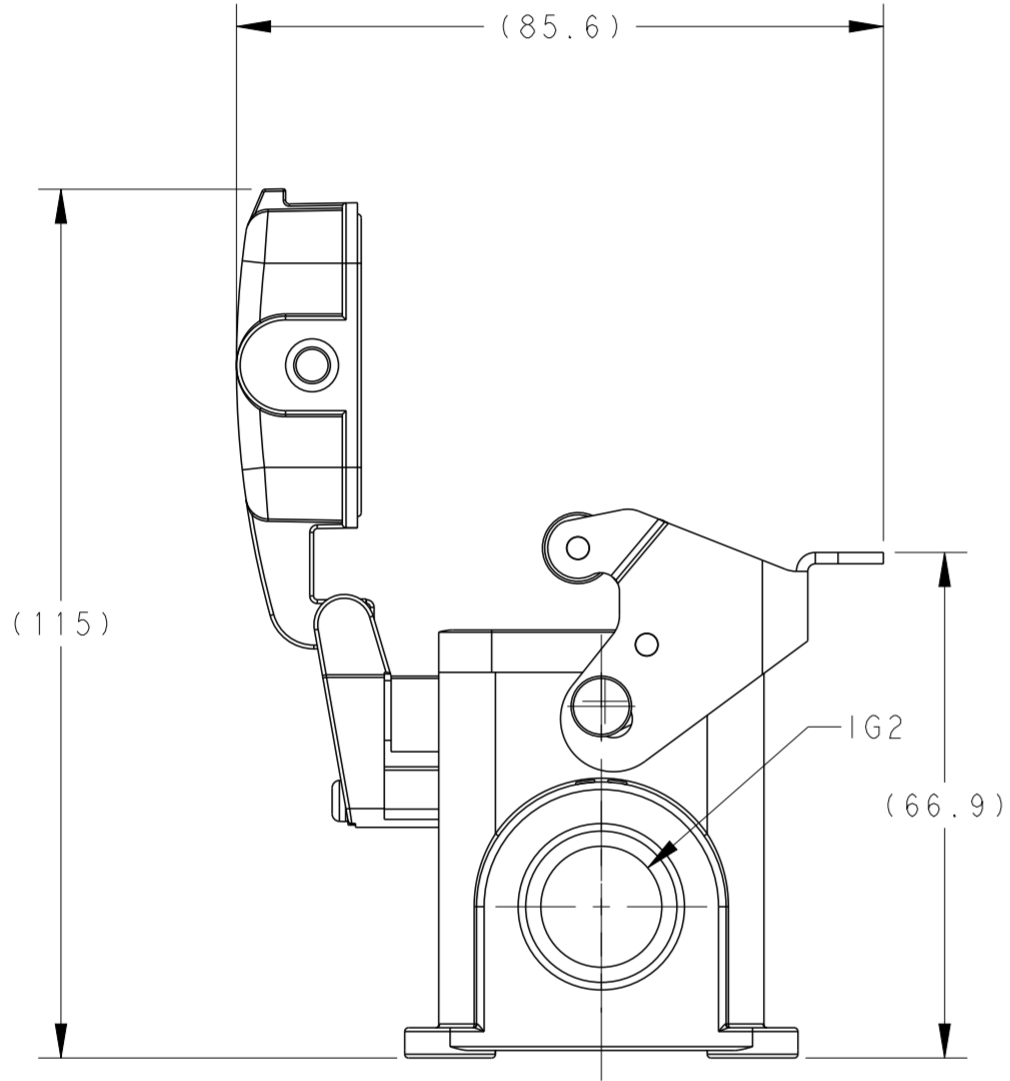


SCALE 1:2



NOTES:
 1. TECHNICAL CHARACTERISTICS:
 HOUSING MATERIAL: DIE CAST ALUMINIUM ALLOY
 SURFACE: POWDER COATED, GREY
 DEGREE OF PROTECTION: IP65 (MATED)

注释:
 1. 技术参数:
 表面安装下壳材料: 铝合金
 表面处理: 粉末涂层, 灰色
 防护等级: IP65(配合)



PART NUMBER	DESCRIPTION	IG1	IG2
T1620064316-000	H6B-SDRMS-PG16	PG16	-
T1620064320-000	H6B-SDRMS-M20	M20	-
T1620064325-000	H6B-SDRMS-M25	M25	-
T1620064416-000	H6B-SDRMS-2PG16	PG16	PG16
T1620064420-000	H6B-SDRMS-2M20	M20	M20
T1620064425-000	H6B-SDRMS-2M25	M25	M25

THIS DRAWING IS A CONTROLLED DOCUMENT.

DWN	23JUN2015	David Wang
CHK	23JUN2015	Chris Wang
APVD	23JUN2015	Xiang Xu

PRODUCT SPEC: 108-137013
 APPLICATION SPEC: 114-137013

MATERIAL: -
 FINISH: -

Customer Drawing

TE Connectivity

NAME: H6B-SDRMS-M/PG

SIZE	CAGE CODE	DRAWING NO	RESTRICTED TO
A2	00779	C-T1620064XXX000	-

SCALE 1:1 SHEET 1 OF 1 REV B