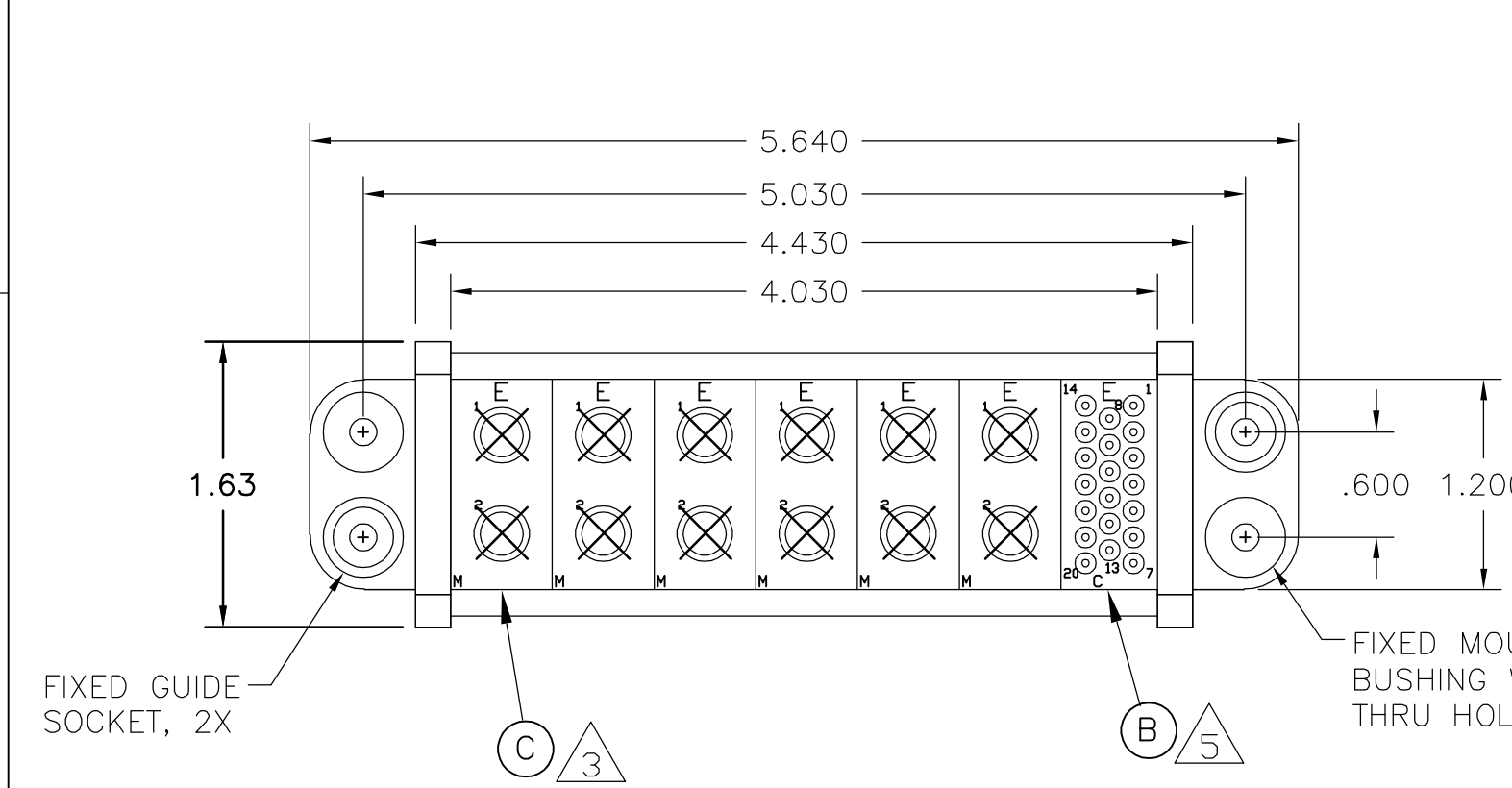


THIS DRAWING IS UNPUBLISHED. RELEASED FOR PUBLICATION
 © COPYRIGHT BY TYCO ELECTRONICS CORPORATION. ALL RIGHTS RESERVED.

LOC	DIST	REVISIONS					
GP	00	P	LTR	DESCRIPTION	DATE	DWN	APVD
			A	NEW RELEASE	5MAR07	RG	DO



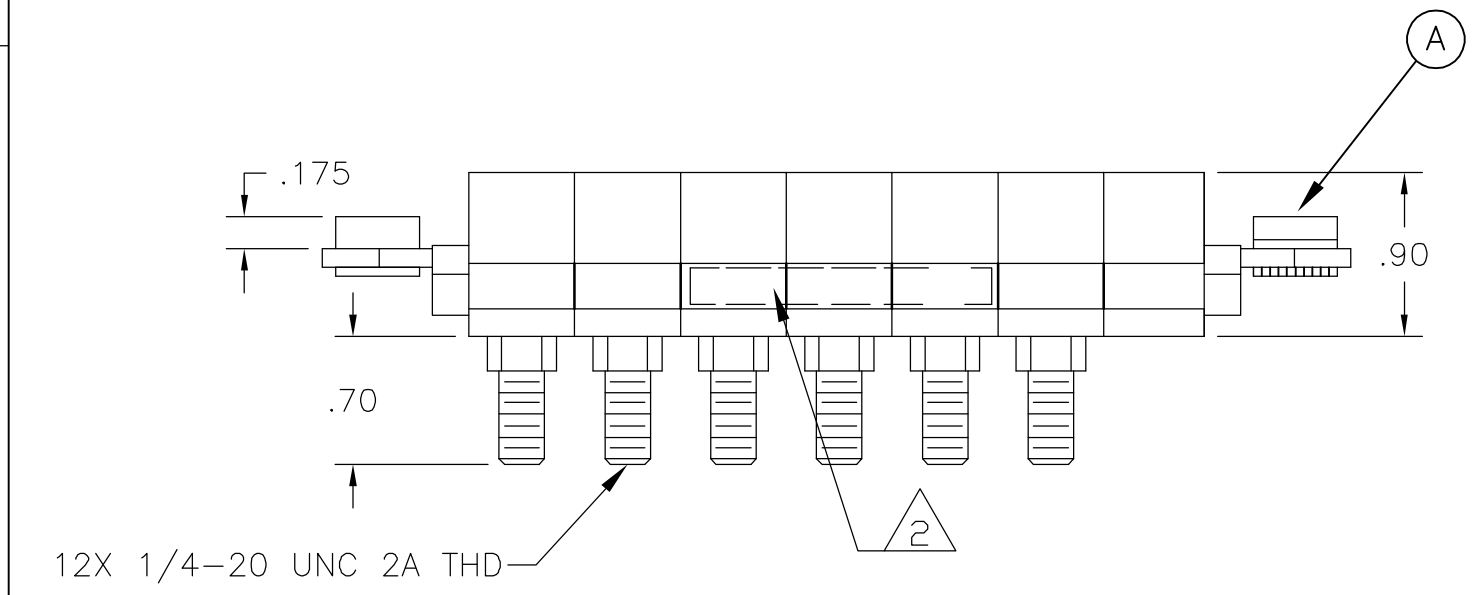
1. PART NUMBER CHANGES AND/OR DESIGN CHANGES AFFECTING ITEM INTERCHANGEABILITY REQUIRE PRIOR TYCO APPROVAL AND AUTHORIZATION BY REVISION TO THIS DRAWING.

2. ITEMS PROVIDED TO THIS SPECIFICATION TO BE PERMANENTLY IDENTIFIED PER THE FOLLOWING IDENTIFIER:

YEAR WEEK
 TYCO PART NUMBER DATE CODE (e.g. 0212)
 XXXXXXXX-X XXXX

- 3. MODULE M SOCKET CONTACTS INSTALLED.
- 4. MOUNTING FLANGE BUSHINGS ACCEPT 6/32 SCREW (.156 DIA. CLEARANCE HOLE, FLOAT MOUNT) OR 8/32 SCREW (.173 DIA. CLEARANCE HOLE, FLOAT MOUNT), USER SUPPLIED.
- 5. MODULES NOTED ARE CRIMP REMOVABLE STYLE CONTACTS. WILL BE PURCHASED SEPARATELY. REF SOCKET CONTACT, SIZE 20, PN: 1648325-1

6. THIS CONNECTOR MATES WITH PIN CONN. TYCO PN 6646098-1

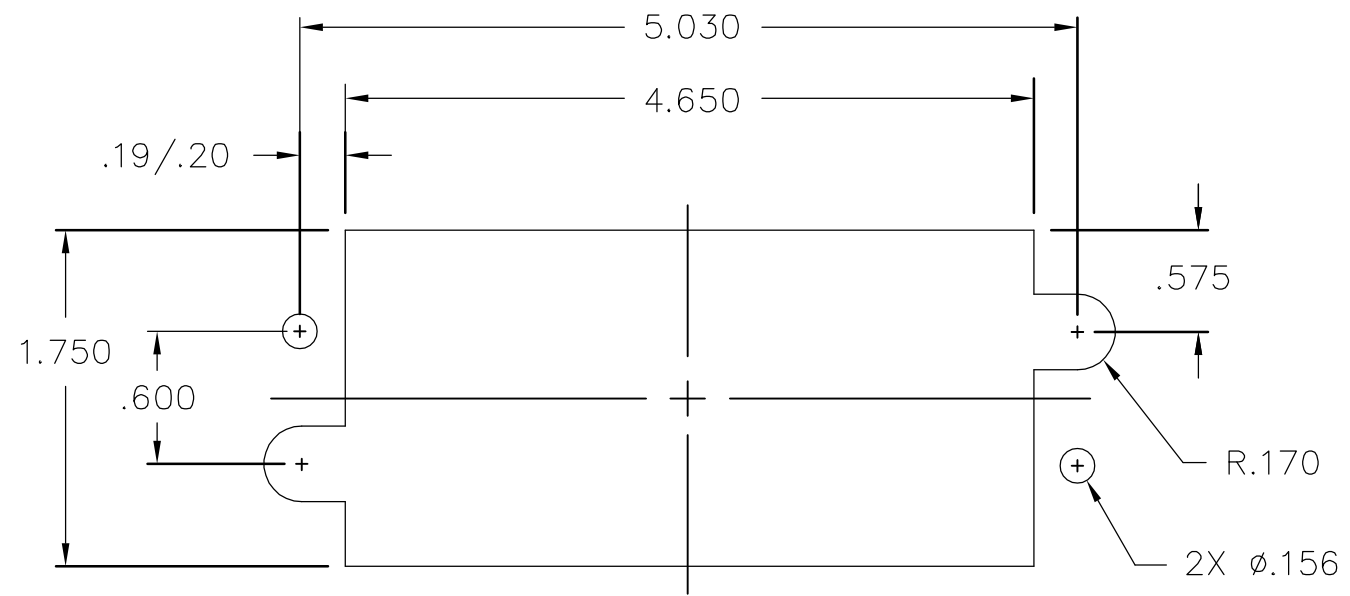


3	6	6648454-1	MODULE M	C
5	1	1648468-1	MODULE C	B
	2	6648263-1	END CAP, FIXED	A
	-1	PART NUMBER	DESCRIPTION	ITEM


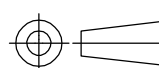
THIS DRAWING IS A CONTROLLED DOCUMENT.		DWN R.GRZYBOWSKI 05MAR2007	Tyco Electronics Corporation Harrisburg, PA 17105-3608													
DIMENSIONS: INCHES		CHK D.ORRIS 5MAR07	NAME S.FLICKINGER													
TOLERANCES UNLESS OTHERWISE SPECIFIED:		APVD S.FLICKINGER 5MAR07	PRODUCT SPEC -													
<table border="0"> <tr><td>0 PLC</td><td>± -</td></tr> <tr><td>1 PLC</td><td>± -</td></tr> <tr><td>2 PLC</td><td>± .02</td></tr> <tr><td>3 PLC</td><td>± .010</td></tr> <tr><td>4 PLC</td><td>± -</td></tr> <tr><td>ANGLES</td><td>± 5</td></tr> </table>		0 PLC	± -	1 PLC	± -	2 PLC	± .02	3 PLC	± .010	4 PLC	± -	ANGLES	± 5	APPLICATION SPEC -		RESTRICTED TO -
0 PLC	± -															
1 PLC	± -															
2 PLC	± .02															
3 PLC	± .010															
4 PLC	± -															
ANGLES	± 5															
MATERIAL -		WEIGHT -	SIZE A3	CAGE CODE 00779												
		DRAWING NO C-6646099														
CUSTOMER DRAWING			SCALE 1:1	SHEET 1 OF 2												
			REV A													

THIS DRAWING IS UNPUBLISHED. RELEASED FOR PUBLICATION
 © COPYRIGHT - BY TYCO ELECTRONICS CORPORATION. ALL RIGHTS RESERVED.

LOC	DIST	REVISIONS					
GP	00	P	LTR	DESCRIPTION	DATE	DWN	APVD
		-		SEE SHEET 1	-	-	-



SOCKET PANEL MOUNT CUTOUT
 SCALE: NONE

THIS DRAWING IS A CONTROLLED DOCUMENT.		DWN R.GRZYBOWSKI 05MAR2007	 Tyco Electronics Corporation Harrisburg, PA 17105-3608	
DIMENSIONS: INCHES		CHK D.ORRIS 5MAR07	NAME	
		APVD S.FLICKINGER 5MAR07	SOCKET CONNECTOR DOMINO W/PANEL CUT-OUT	
TOLERANCES UNLESS OTHERWISE SPECIFIED:		PRODUCT SPEC	RESTRICTED TO	
0 PLC ± -		APPLICATION SPEC	SIZE	CAGE CODE
1 PLC ± -		—	A3	00779
2 PLC ± .02		—	DRAWING NO	
3 PLC ± .010		—	C-6646099	
4 PLC ± -		WEIGHT	—	
ANGLES ± 5		CUSTOMER DRAWING		
MATERIAL		SCALE		SHEET
—		1:1		2 OF 2
FINISH		REV		A
—		—		—