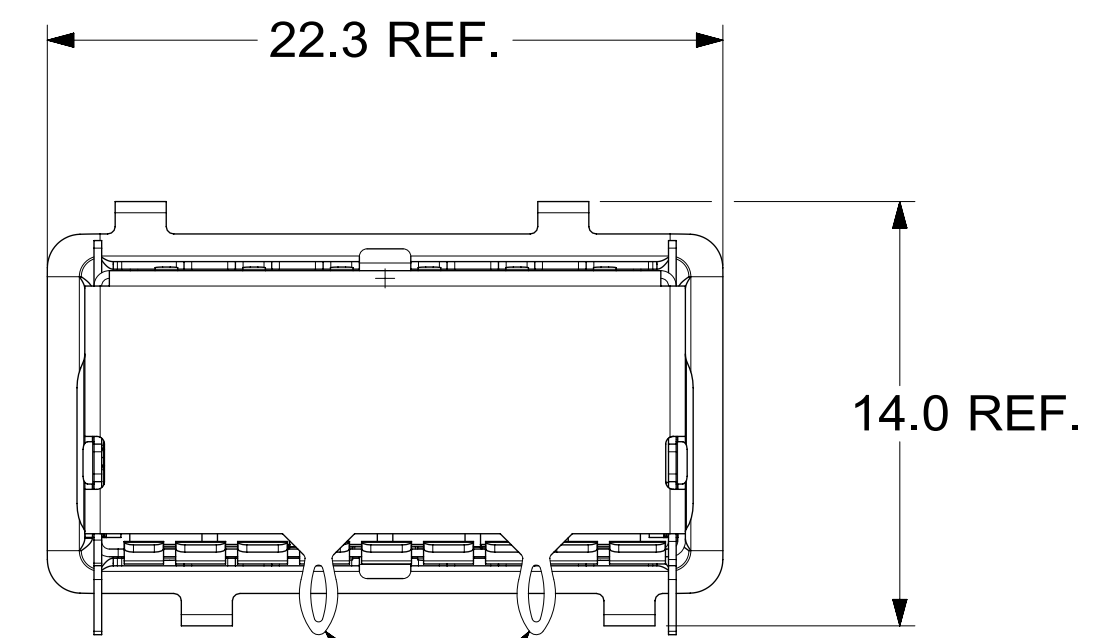
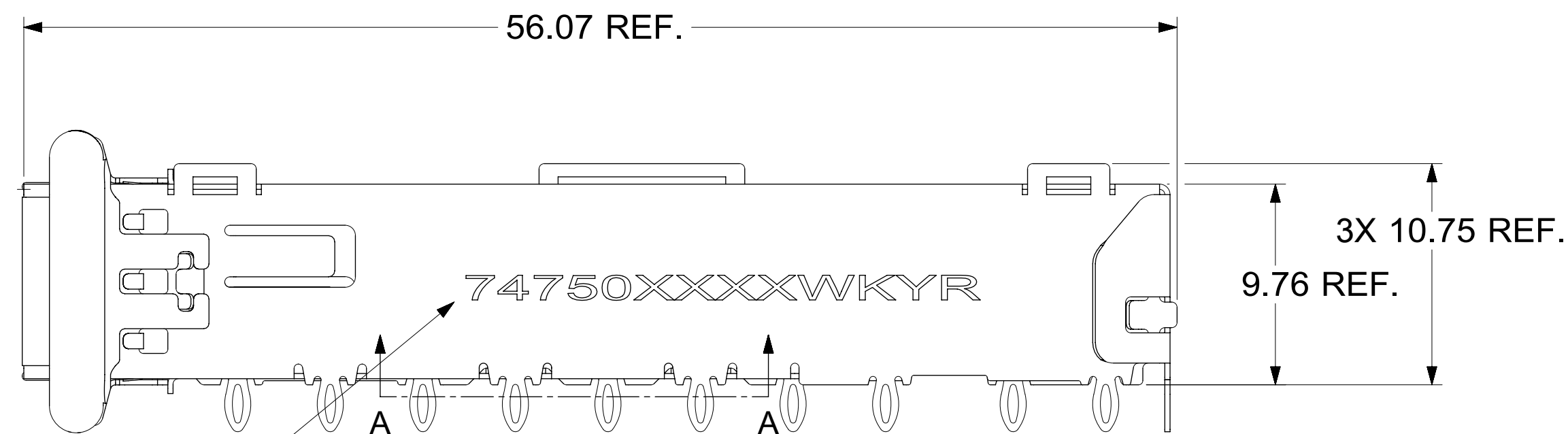
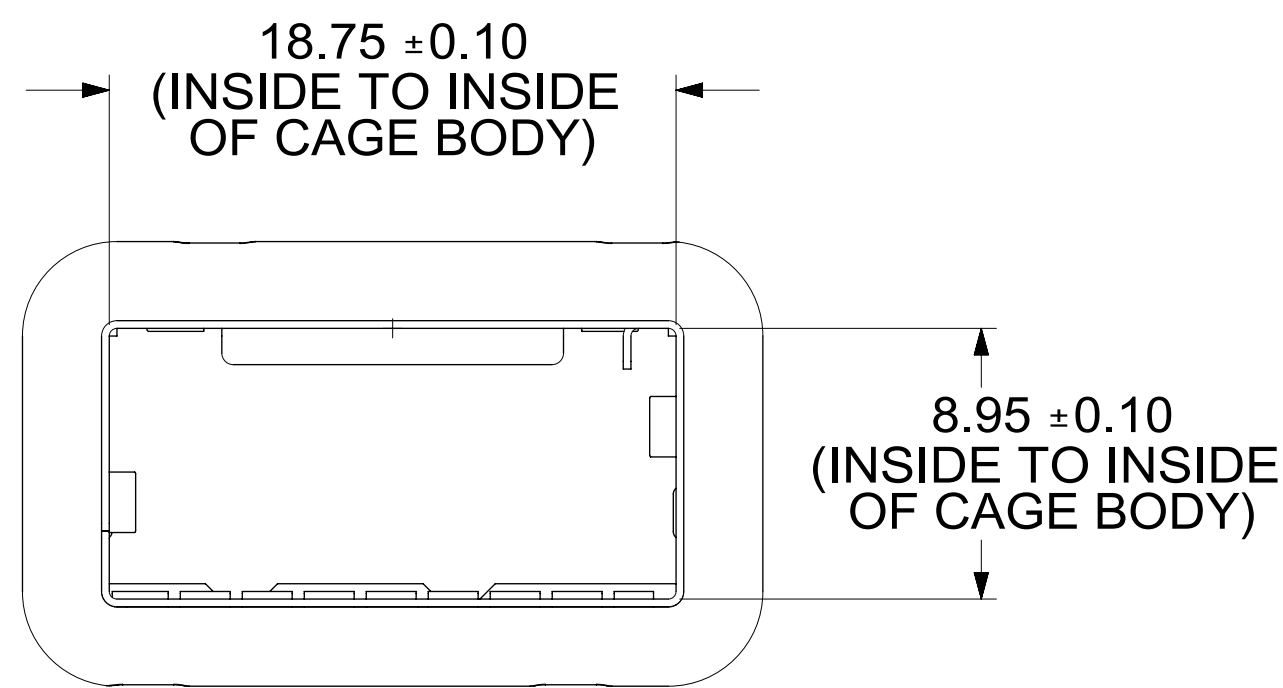
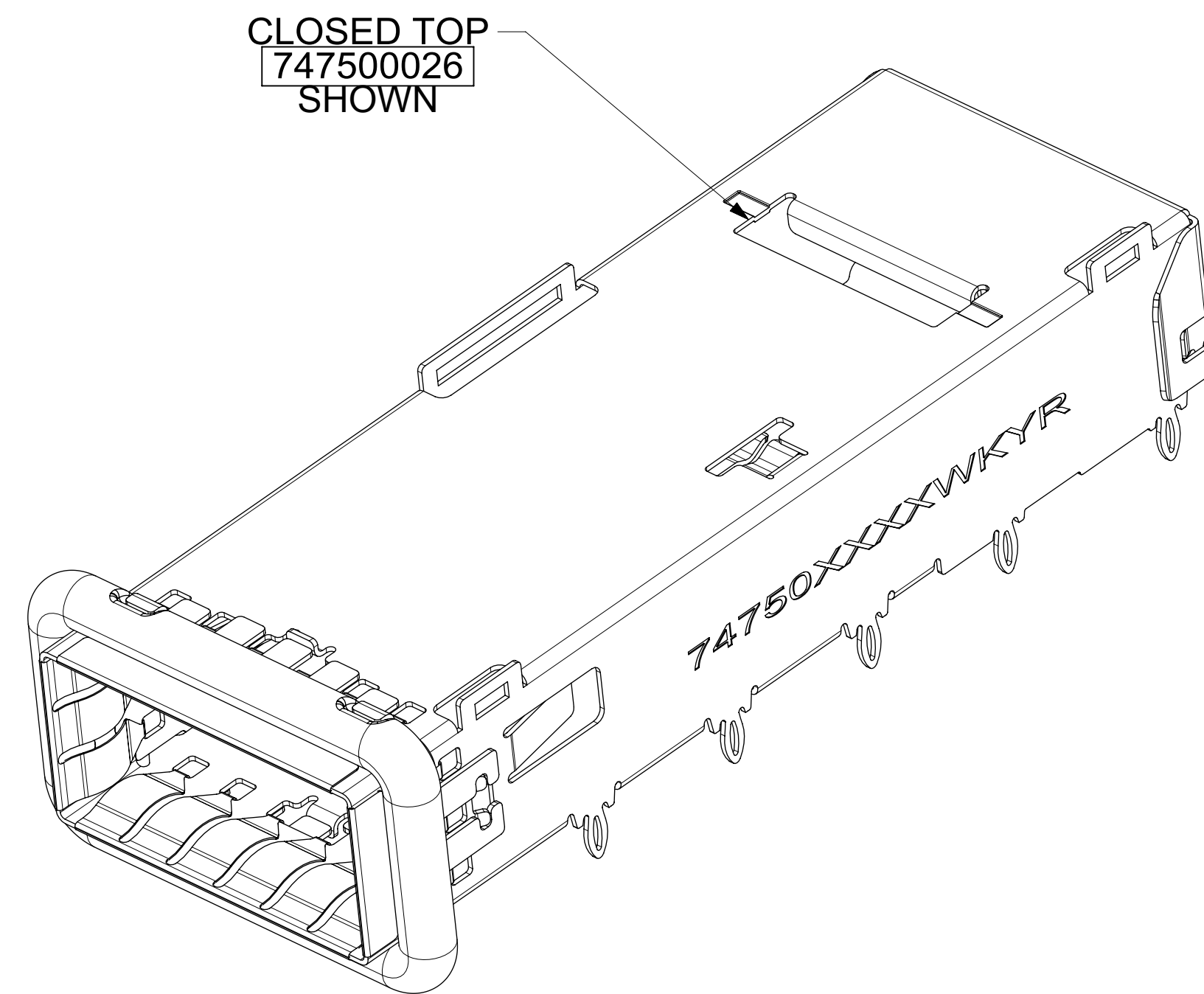
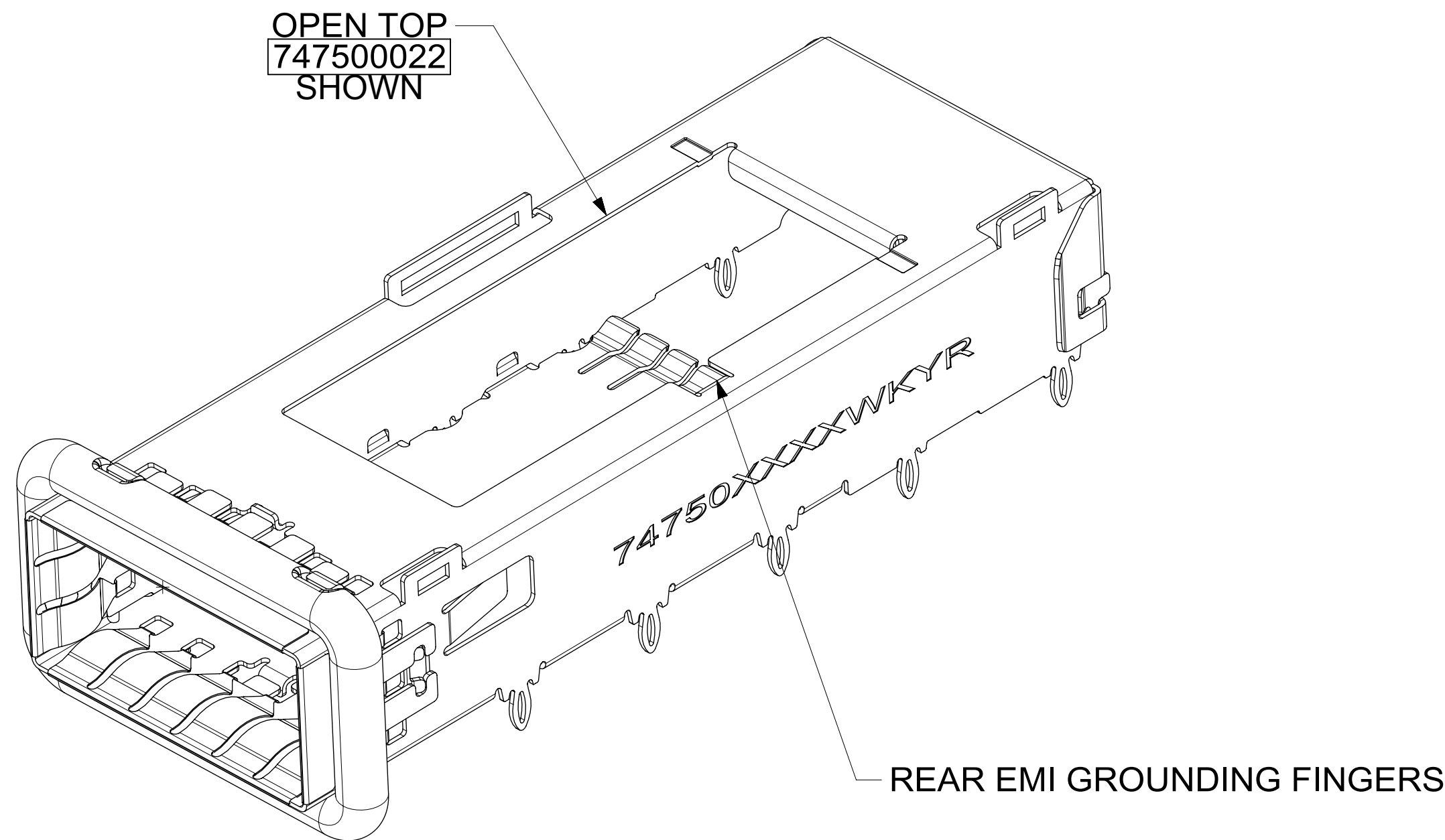
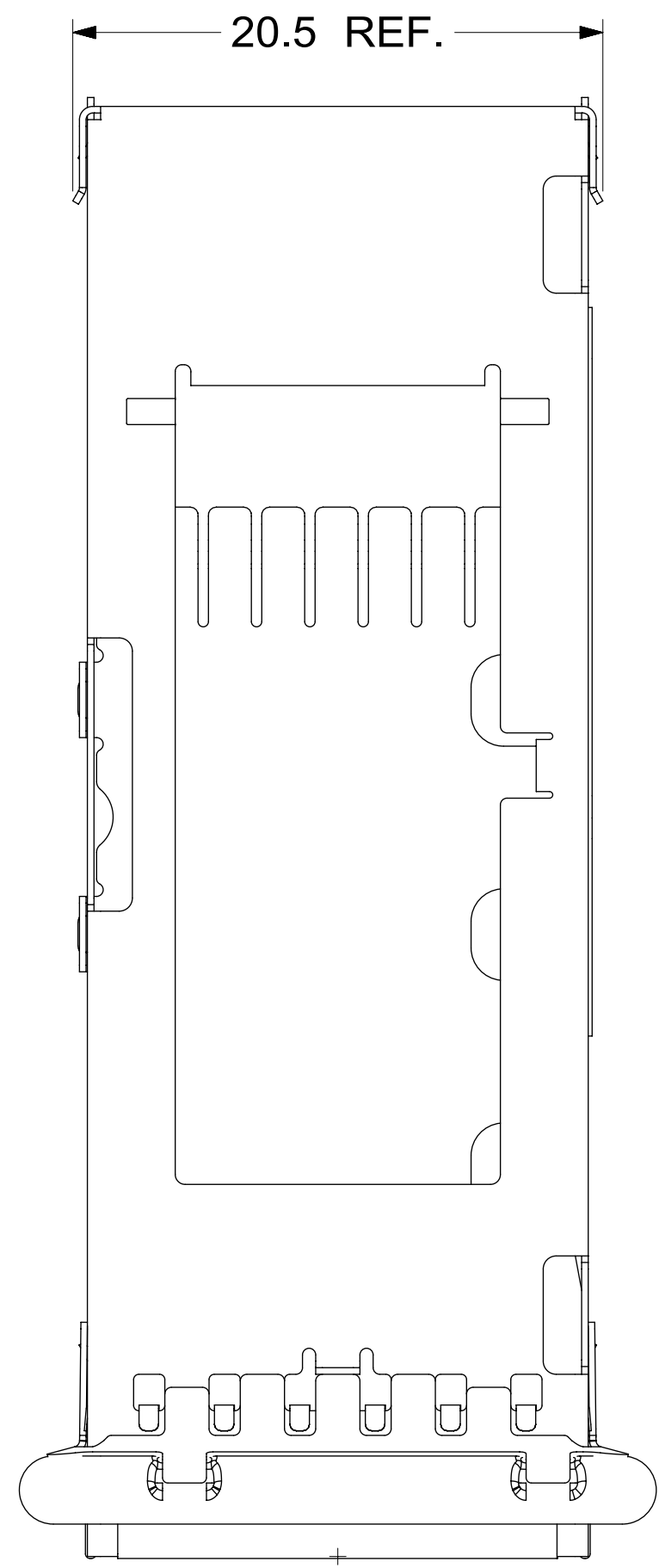


CAGE DETAILS

(APPLIES TO ALL CAGES IN THIS DRAWING)



NOTE:
INTERNAL SPRING FINGERS
REMOVED FROM THIS VIEW FOR CLARITY.

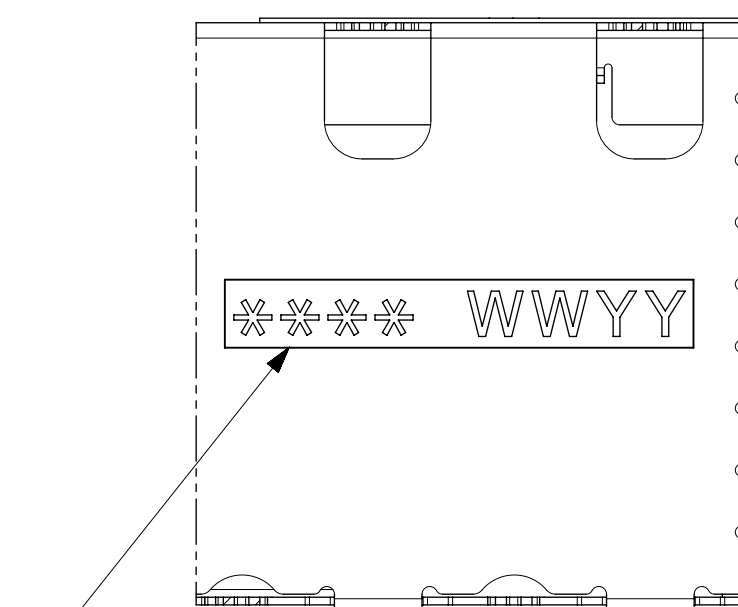
PN/DATE CODE TO BE PRINTED ON THE SIDE OF
COMPLETED CAGE ASSEMBLY APPROXIMATELY AS SHOWN.
SEE TABLE BELOW FOR DATE CODE INFORMATION.

REAR PINS ARE OPTIONAL
(SEE CHART)

NOTE:
GASKET REMOVED FROM THIS
VIEW FOR CLARITY.

WEEK/YEAR DATE CODE TABLE	
WK	WEEK OF THE YEAR 01 THRU 52 (EXAMPLE: 01= FIRST WEEK OF YEAR 52= LAST WEEK OF YEAR)
YR	19, 20, 21 ETC.. (EXAMPLE: YEAR 2019= 19)

- NOTES:
- PRESS FIT LEGS 2.28mm LONG
 - MATERIAL:
CAGE: 0.25mm THICK COPPER ALLOY, NICKEL PLATED
SPRING FINGERS: 0.08mm THICK COPPER ALLOY, NICKEL PLATED
LIGHT PIPE/HEAT SINK CLIP: STAINLESS STEEL
LIGHT PIPES: POLYCARBONATE (UL 94-V0 RATED)
HEATSINKS: ALUMINUM (BLACK ANNOXIDIZED).
ELASTOMERIC GASKET: SILICON, COLOR BLACK
 - CUSTOM HEATSINKS AVAILABLE UPON REQUEST
 - QSFP+ ASSEMBLES ALSO AVAILABLE IN 1X2 (74767 SERIES),
1X3 (74768 SERIES), 1X4 (74769 SERIES) AND 1X6 (74771 SERIES).
 - PACKAGED IN TRAYS.
 - NO RoHS EXEMPTIONS.

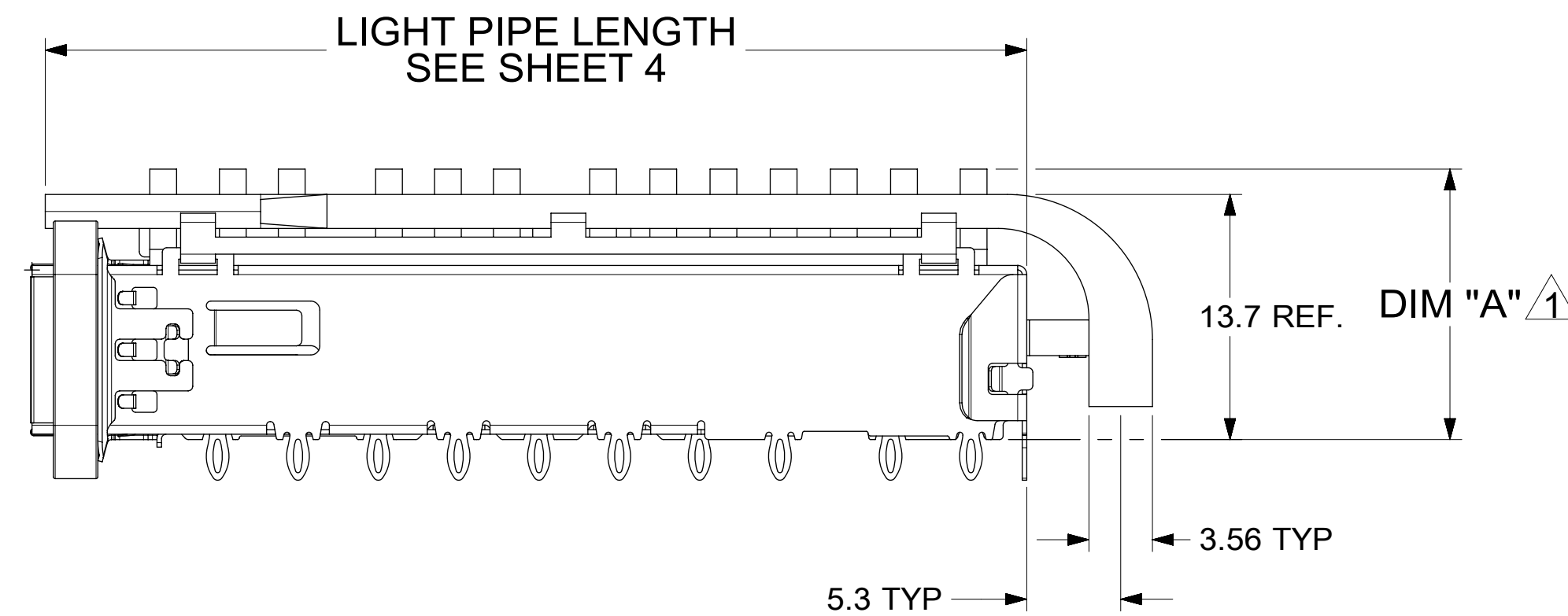
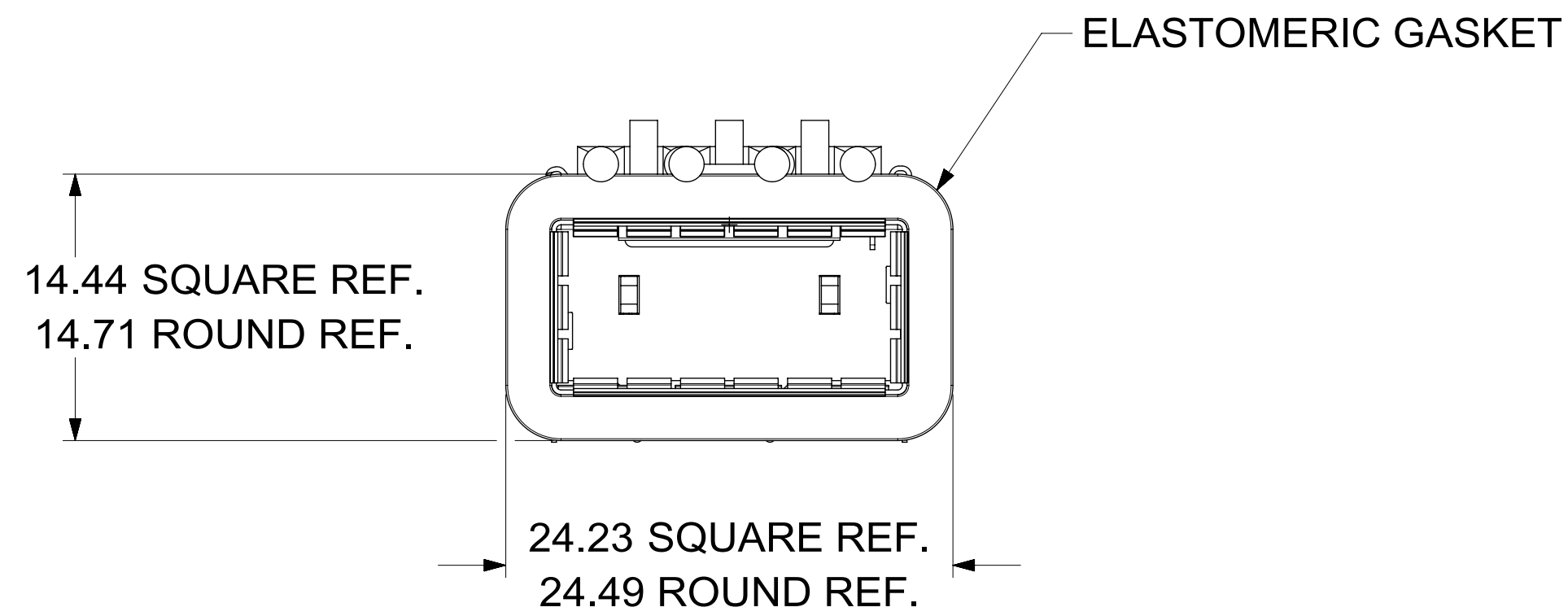
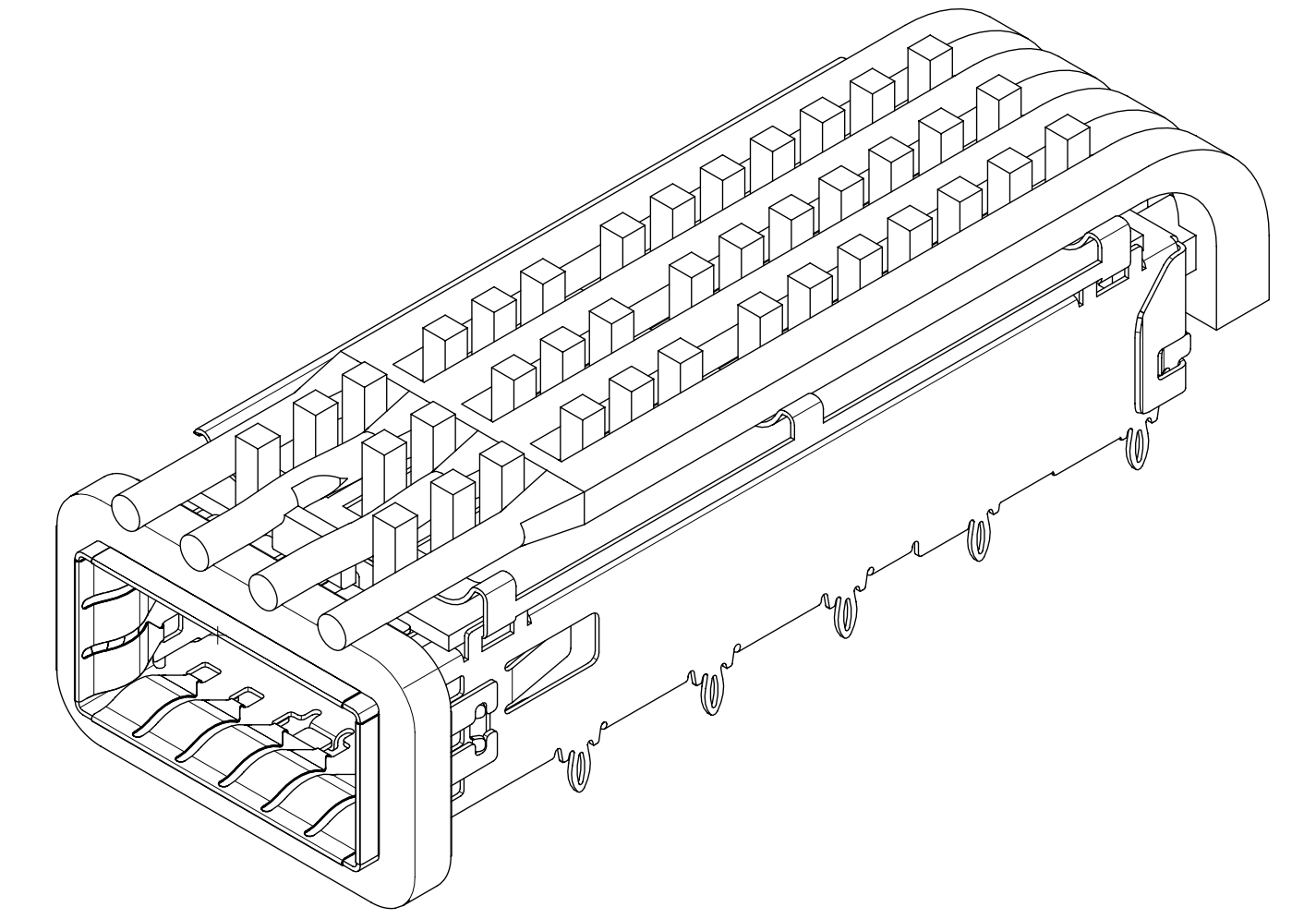
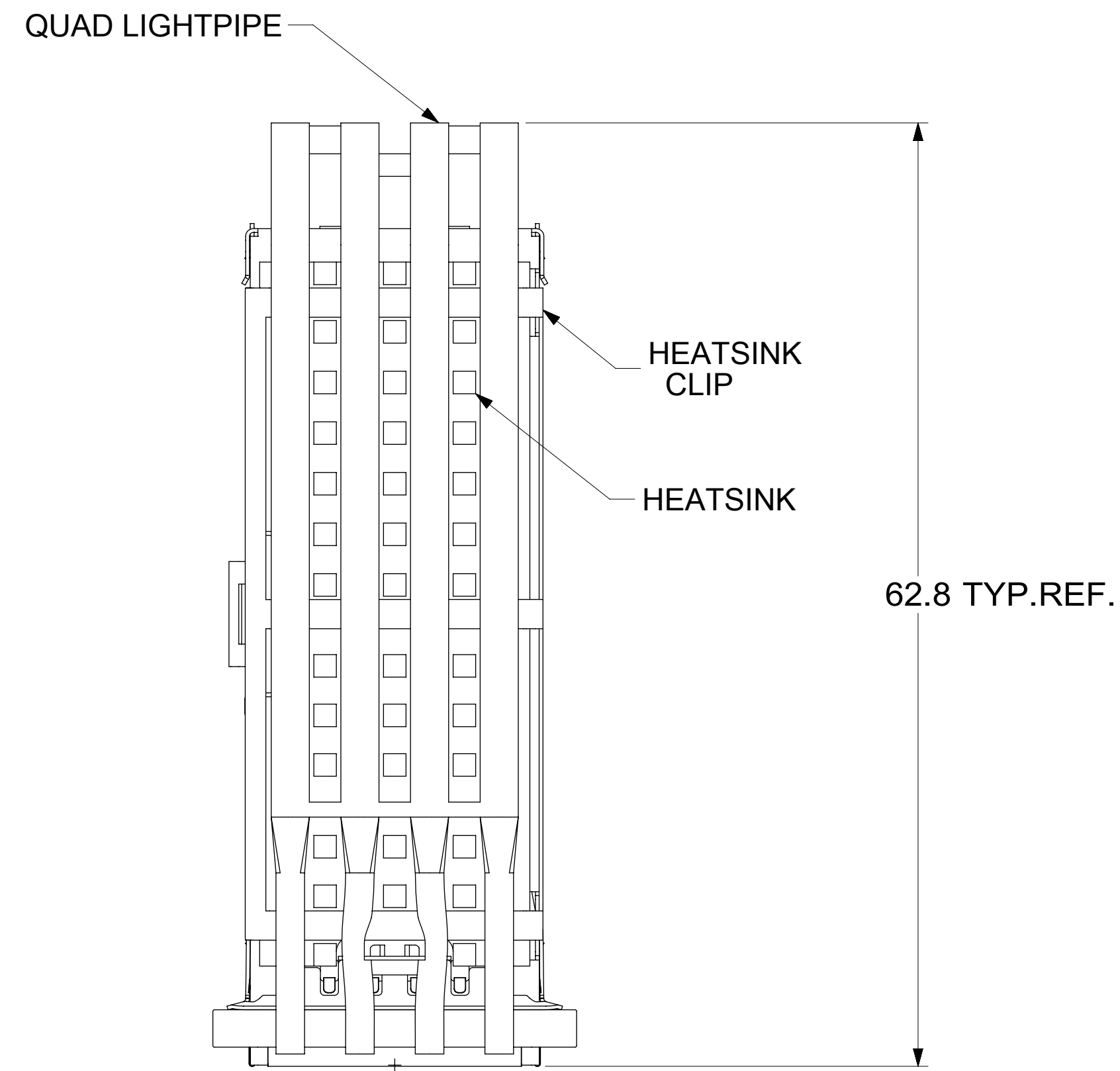


MOLEX INTERNAL USE

SECTION A-A

THIS DRAWING CONTAINS INFORMATION THAT IS PROPRIETARY TO MOLEX ELECTRONIC TECHNOLOGIES, LLC AND SHOULD NOT BE USED WITHOUT WRITTEN PERMISSION											
DIMENSION UNITS	SCALE	CURRENT REV DESC: OBSOLETE PART NUMBER AS PER PCN#509457.									
mm	1:1	<p>QSFP+ CAGE ASSEMBLIES W / ELASTOMERIC GASKET (ROUND & SQUARE)</p> <p>PRODUCT CUSTOMER DRAWING</p>									
GENERAL TOLERANCES (UNLESS SPECIFIED)											
ANGULAR TOL	± 1.0°										
4 PLACES	±										
3 PLACES	±										
2 PLACES	± 0.13	EC NO: 680890	2021/06/08	DOCUMENT NUMBER							
1 PLACE	± 0.25	DRWN: SANTHN	2021/11/25	DOC TYPE DOC PART REVISION							
0 PLACES	±	CHK'D: GGA	2021/11/25	747500002 PSD ASY F3							
DRAFT WHERE APPLICABLE MUST REMAIN WITHIN DIMENSIONS		THIRD ANGLE PROJECTION		DRAWING	SERIES	MATERIAL NUMBER		CUSTOMER			SHEET NUMBER
		D-SIZE		74750	SEE SHEET 4					1 OF 9	

CAGE ASSEMBLY OPTIONS



HEATSINK HEIGHT OPTIONS

OVERALL HEATSINK HEIGHT	DIM 'A'	TOL
PCI	13.7	
SAN	16.0	+0.25
NET	23.0	-0.73
CUSTOM	21.0	

¹ HEIGHT OF HEATSINK WITH MODULE INSERTED. DIMENSION MAY BE LESS DUE TO MODULE AND HEATSINK VARIATIONS.

THIS DRAWING CONTAINS INFORMATION THAT IS PROPRIETARY TO MOLEX ELECTRONIC TECHNOLOGIES, LLC AND SHOULD NOT BE USED WITHOUT WRITTEN PERMISSION			
DIMENSION UNITS mm	SCALE 3:1	CURRENT REV DESC: OBSOLETE PART NUMBER AS PER PCN#509457.	
GENERAL TOLERANCES (UNLESS SPECIFIED)		EC NO: 680890	
ANGULAR TOL ± 1.0°		DRWN: SANTHN	2021/06/08
4 PLACES ±		CHK'D: GGA	2021/11/25
3 PLACES ±		APPR: GGA	2021/11/25
2 PLACES ± 0.13		INITIAL REVISION:	
1 PLACE ± 0.25		DRWN: SMALLESHAPPA	2018/12/14
0 PLACES ±		APPR: RCHEN08	2019/01/08
DRAFT WHERE APPLICABLE MUST REMAIN WITHIN DIMENSIONS		THIRD ANGLE PROJECTION	DRAWING
			D-SIZE
		SERIES	74750
		MATERIAL NUMBER	SEE SHEET 4
		CUSTOMER	
		SHEET NUMBER	
		2 OF 9	

molex

QSFP+ CAGE ASSEMBLIES
W / ELASTOMERIC GASKET (ROUND & SQUARE)

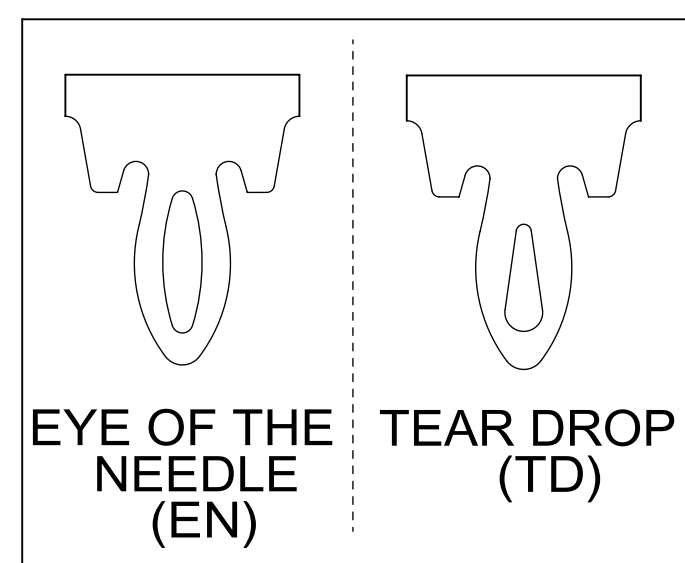
PRODUCT CUSTOMER DRAWING

DOCUMENT NUMBER DOC TYPE DOC PART REVISION

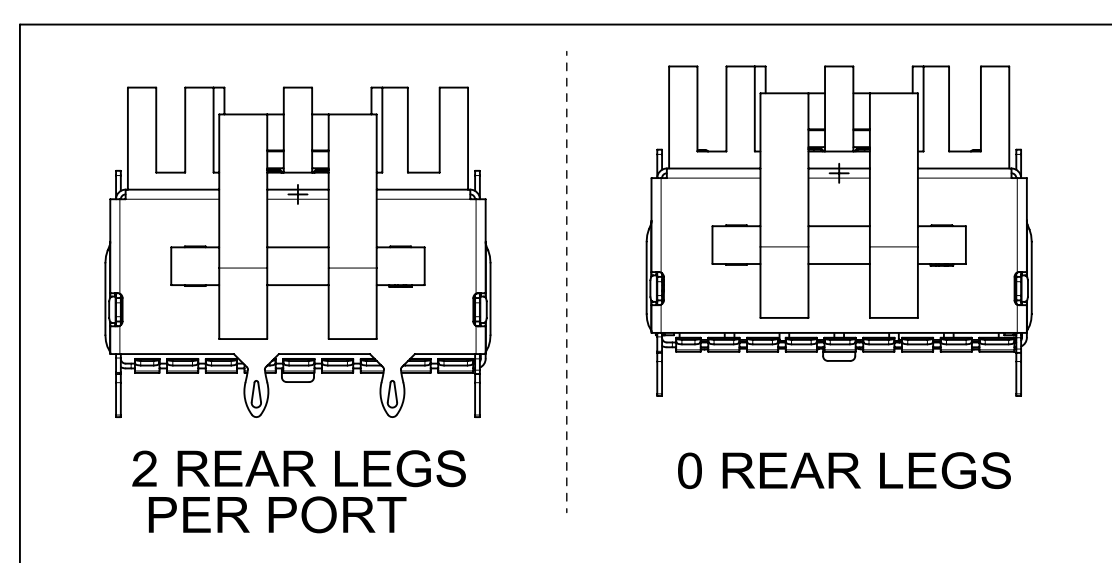
747500002

PSD ASY **F3**

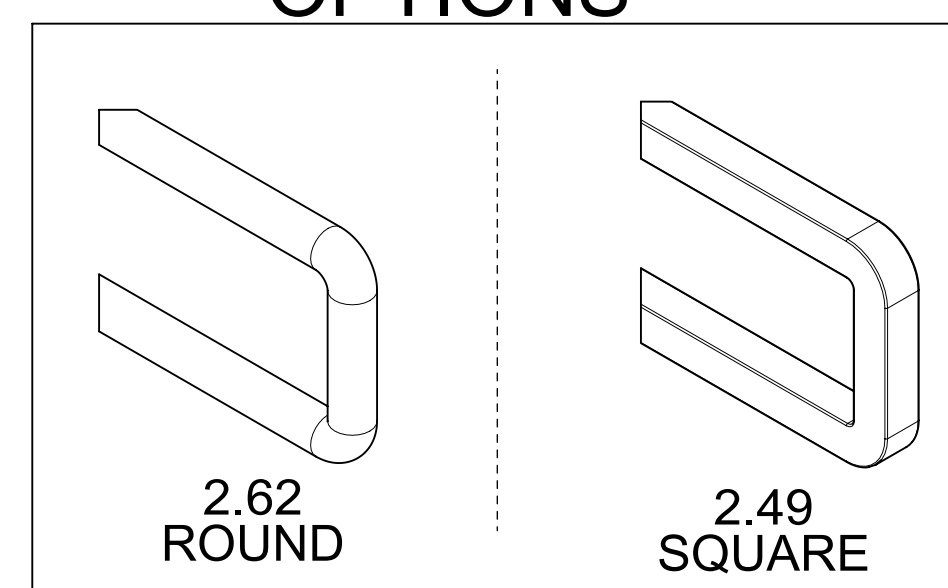
LEG OPTIONS



REAR LEG OPTIONS



ELASTOMERIC GASKET OPTIONS



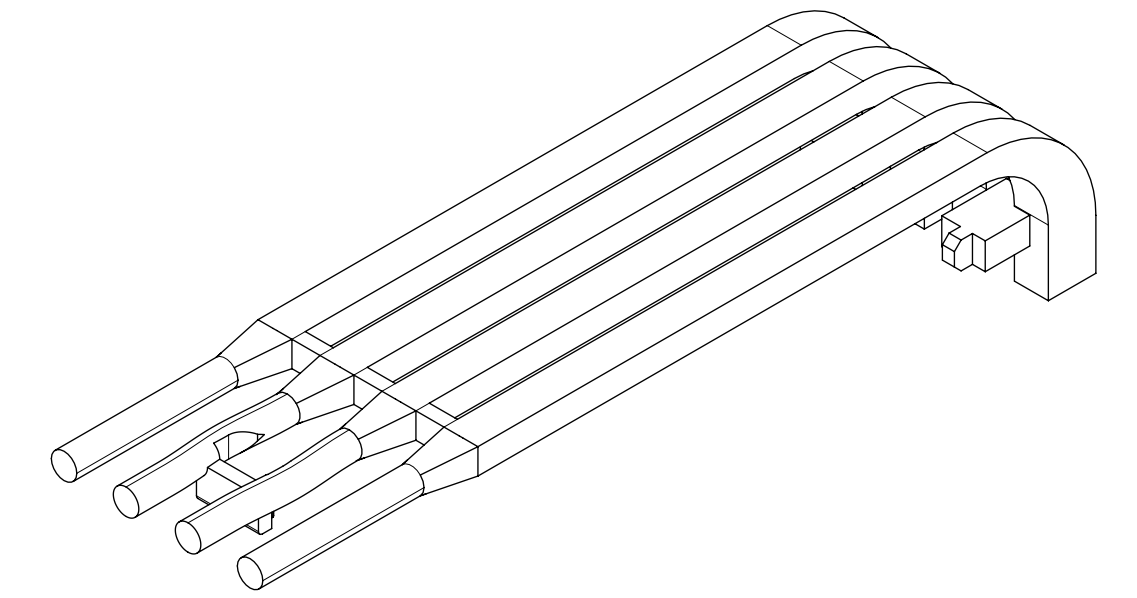
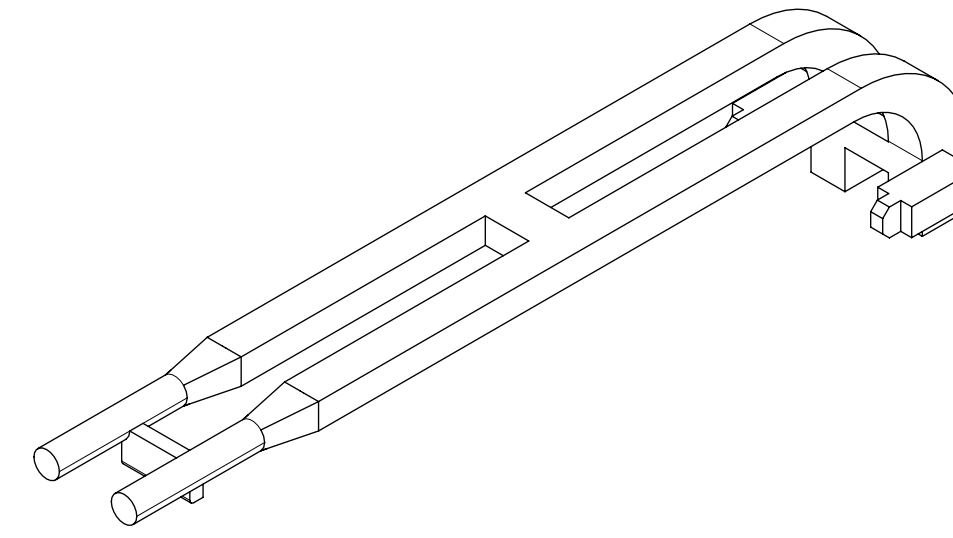
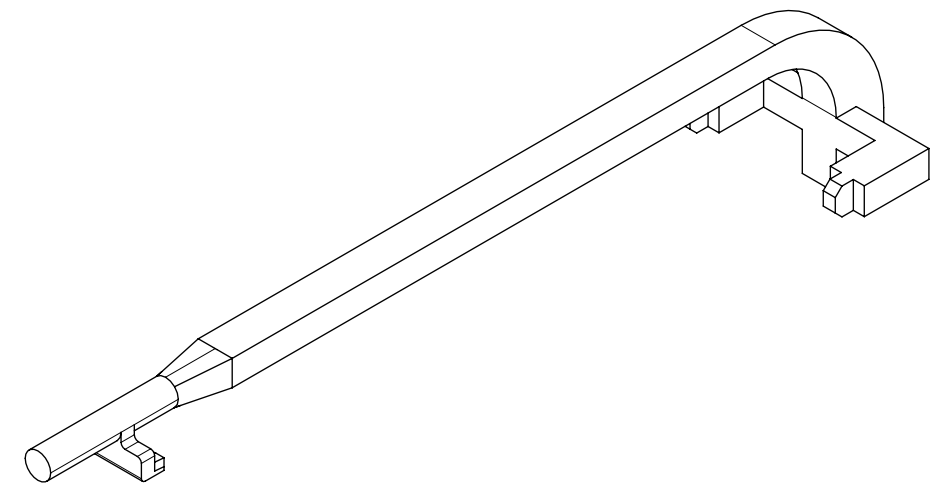
HEATSINK AND LIGHT PIPE OPTIONS

HEATSINK ONLY

SINGLE LIGHT PIPE

DUAL LIGHT PIPE

QUAD LIGHT PIPE

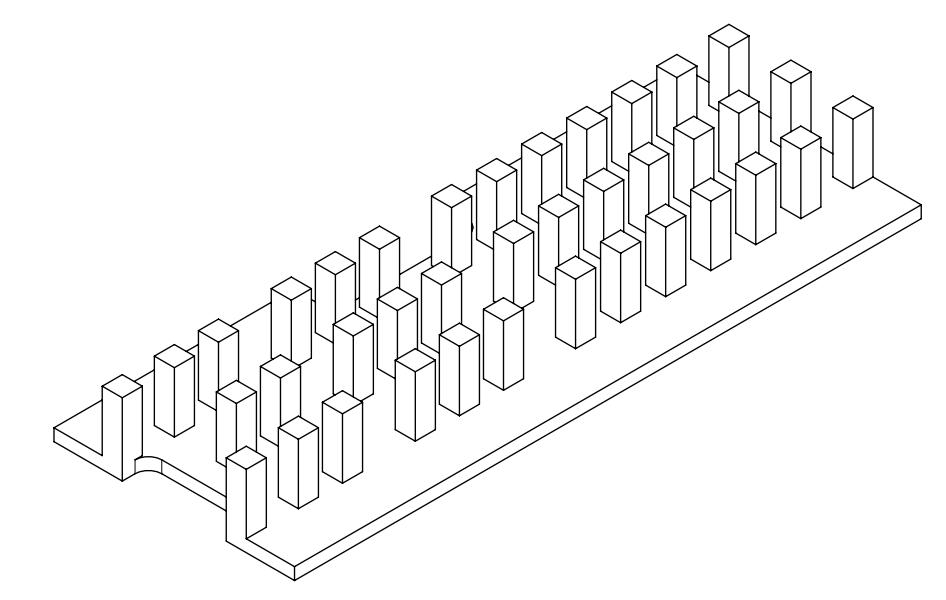
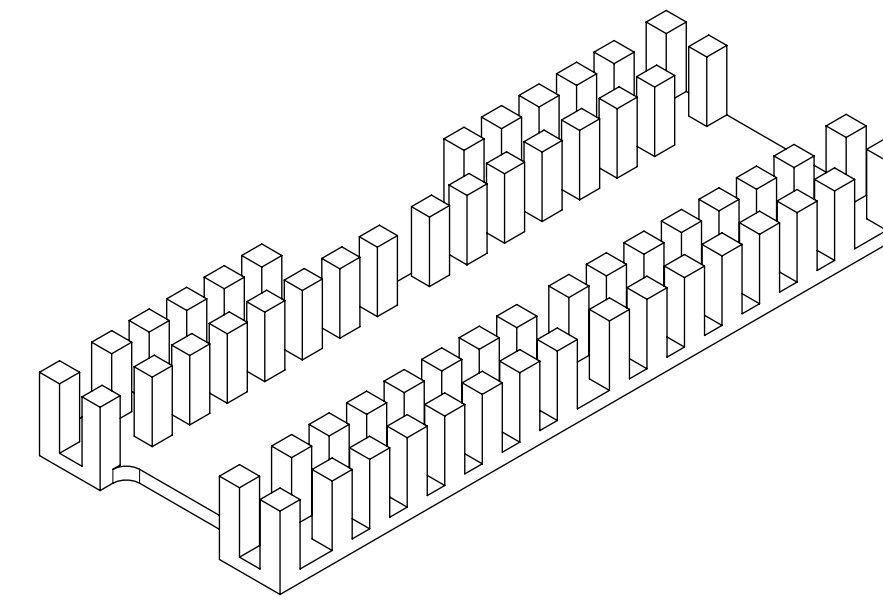
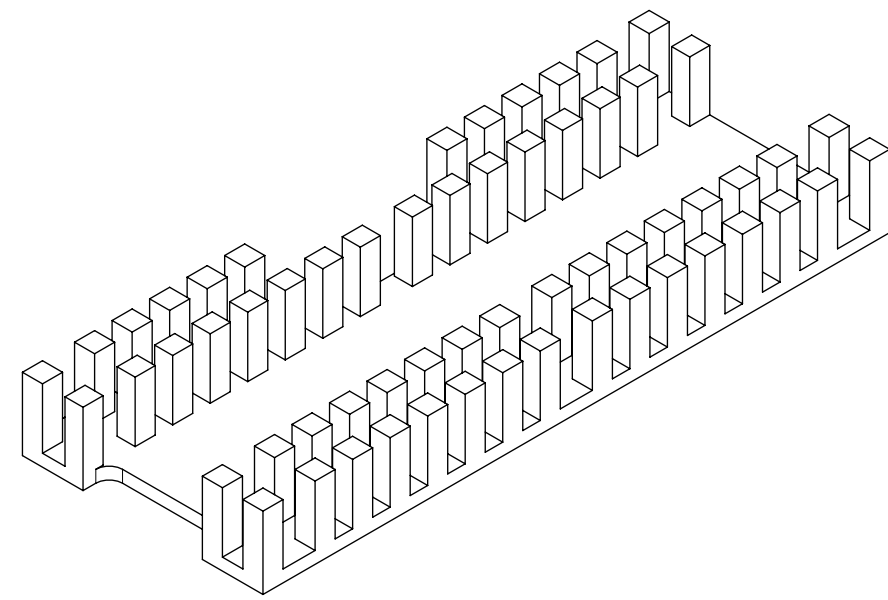
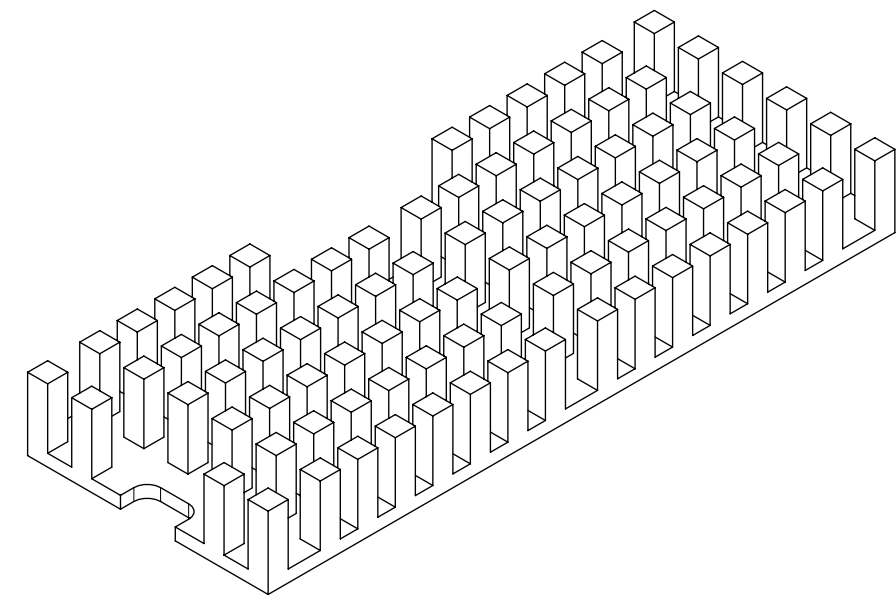


PIN FIELD HEATSINK FOR NO LIGHT PIPE

PIN FIELD HEATSINK FOR SINGLE LIGHT PIPE

PIN FIELD HEATSINK FOR DUAL LIGHT PIPE

PIN FIELD HEATSINK FOR QUAD LIGHT PIPE

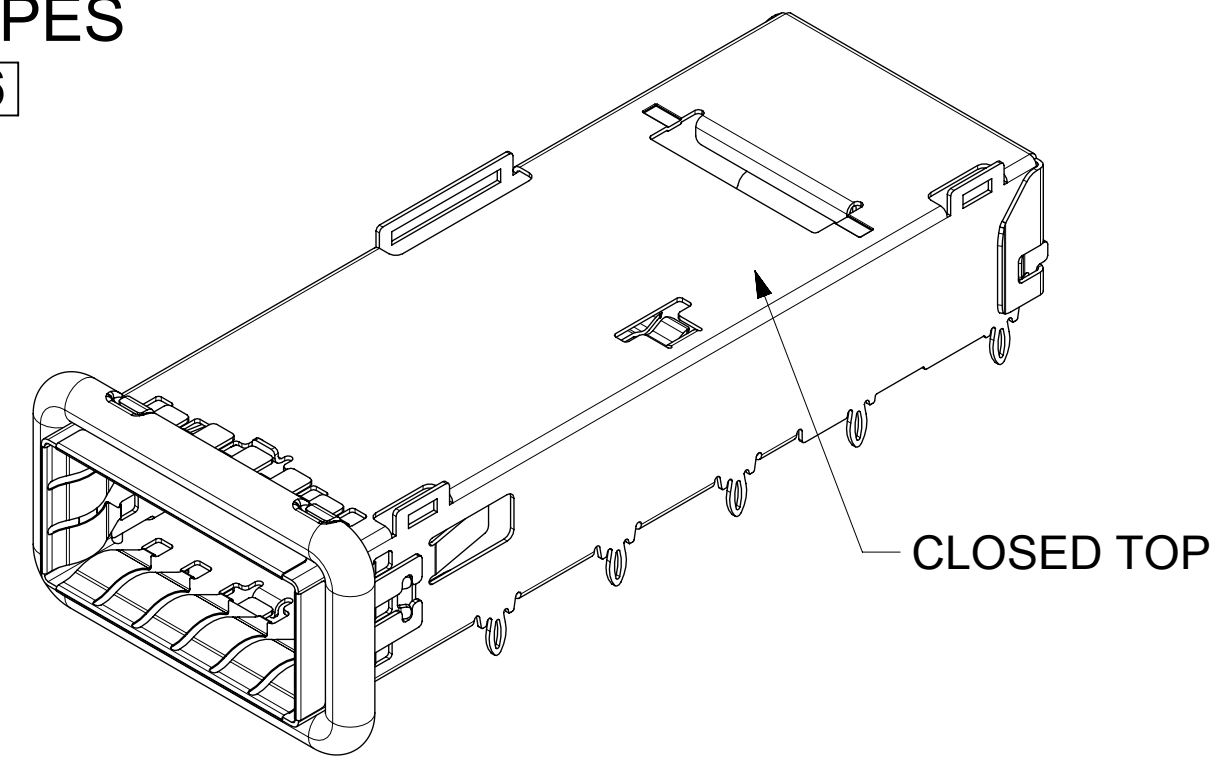


NOTES:
 1. MATERIALS:
 LIGHT PIPE: LEXAN 940A
 HEATSINK: ALUMINUM (BLACK ANNOXIDIZED)

THIS DRAWING CONTAINS INFORMATION THAT IS PROPRIETARY TO MOLEX ELECTRONIC TECHNOLOGIES, LLC AND SHOULD NOT BE USED WITHOUT WRITTEN PERMISSION											
DIMENSION UNITS mm		SCALE 2.5:1		CURRENT REV DESC: OBSOLETE PART NUMBER AS PER PCN#509457.				molex		QSFP+ CAGE ASSEMBLIES W / ELASTOMERIC GASKET (ROUND & SQUARE)	
GENERAL TOLERANCES (UNLESS SPECIFIED)						EC NO: 680890					
ANGULAR TOL ± 1.0°						DRWN: SANTHN 2021/06/08		PRODUCT CUSTOMER DRAWING		DOCUMENT NUMBER 747500002	
4 PLACES ±						CHK'D: GGA 2021/11/25					
3 PLACES ±						APPR: GGA 2021/11/25					
2 PLACES ± 0.13						INITIAL REVISION:		MATERIAL NUMBER SEE SHEET 4		SHEET NUMBER 3 OF 9	
1 PLACE ± 0.25						DRWN: SMALLESHAPPA 2018/12/14					
0 PLACES ±						APPR: RCHEN08 2019/01/08		CUSTOMER			
DRAFT WHERE APPLICABLE MUST REMAIN WITHIN DIMENSIONS						THIRD ANGLE PROJECTION		DRAWING D-SIZE		SERIES 74750	

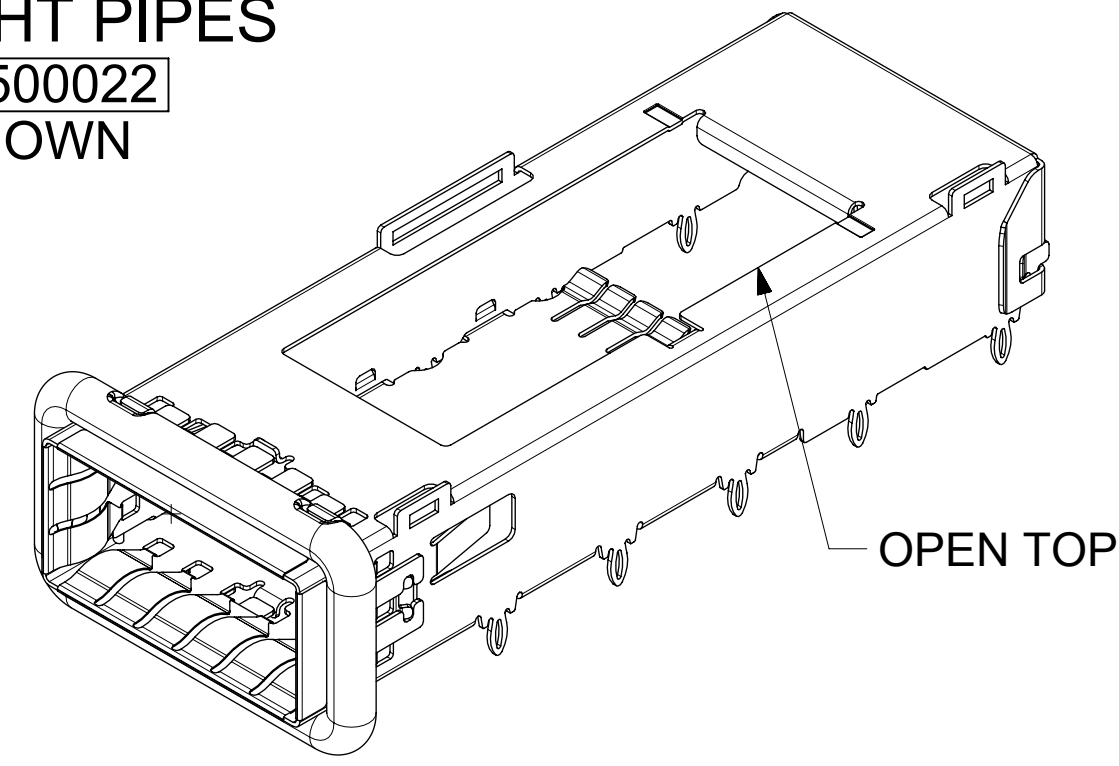
PART NUMBER SELECTION

NO HEATSINKS
NO LIGHT PIPES
747500026
SHOWN



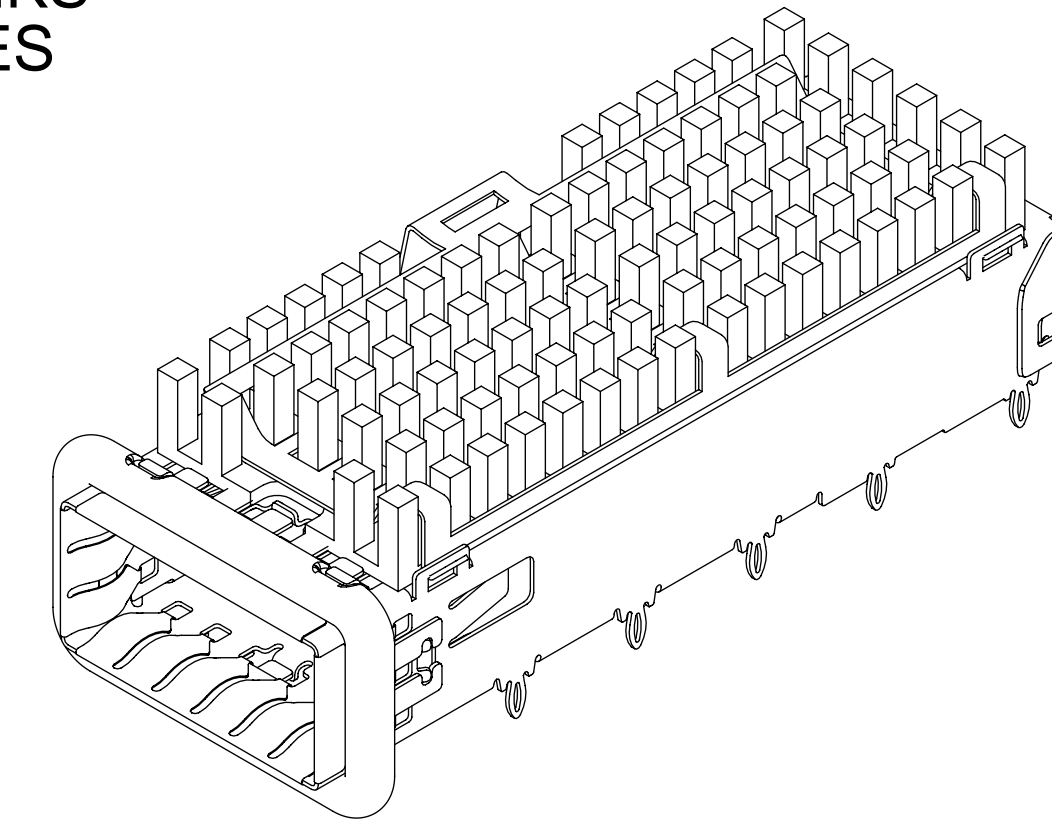
MOLEX P/N		LEG TYPE	# OF REAR LEGS PER PORT
WITH 2.62 REF ROUND ELASTOMERIC GASKET	WITH 2.49 REF SQUARE ELASTOMERIC GASKET		
747500026	---	EN	2

NO HEATSINKS
NO LIGHT PIPES
747500022
SHOWN



MOLEX P/N		LEG TYPE	# OF REAR LEGS PER PORT
WITH 2.62 REF ROUND ELASTOMERIC GASKET	WITH 2.49 REF SQUARE ELASTOMERIC GASKET		
747500022	---	EN	2
747500025	---	EN	-
747500094	---	EN	2
---	747500098	EN	-
747501200	---	TD	2

WITH HEATSINKS
NO LIGHT PIPES
747500041
SHOWN

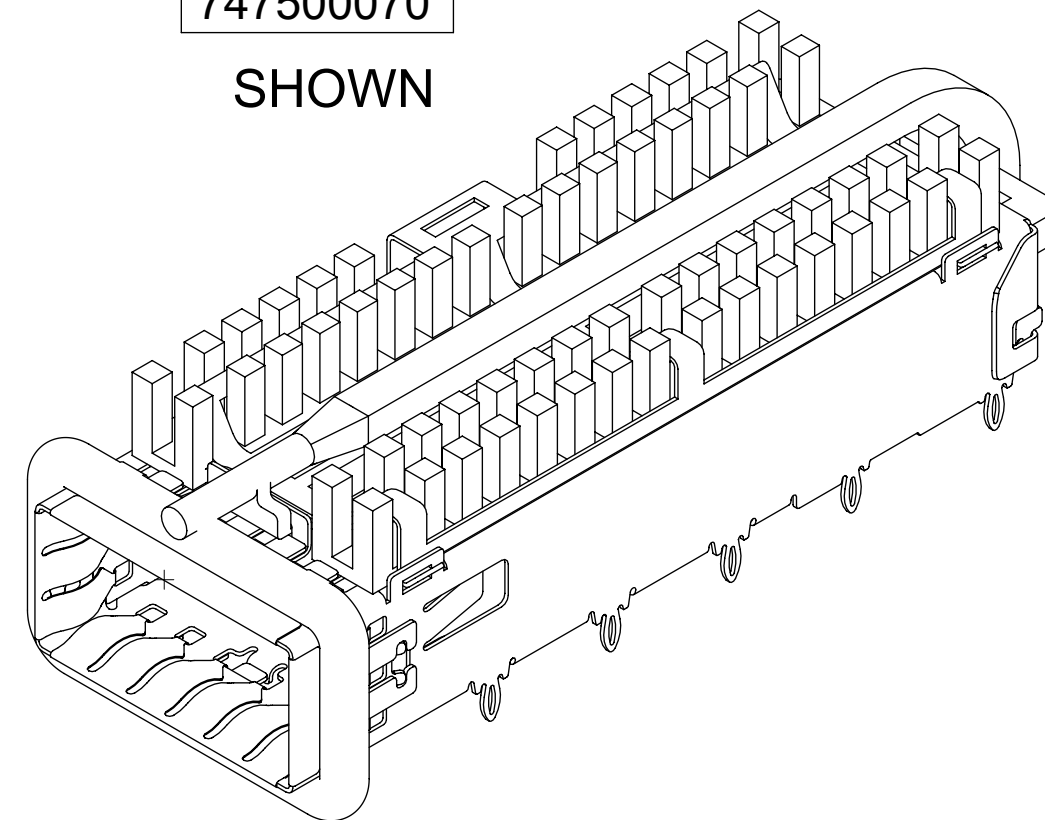


MOLEX P/N		HEAT-SINKS	LEG TYPE	# OF REAR LEGS PER PORT
WITH 2.62 REF ROUND ELASTOMERIC GASKET	WITH 2.49 REF SQUARE ELASTOMERIC GASKET			
747500041	---	SAN	EN	2
747500047	---	NET	EN	2
747500048	---	CUSTOM	EN	2
747501242	---	PCI	TD	2

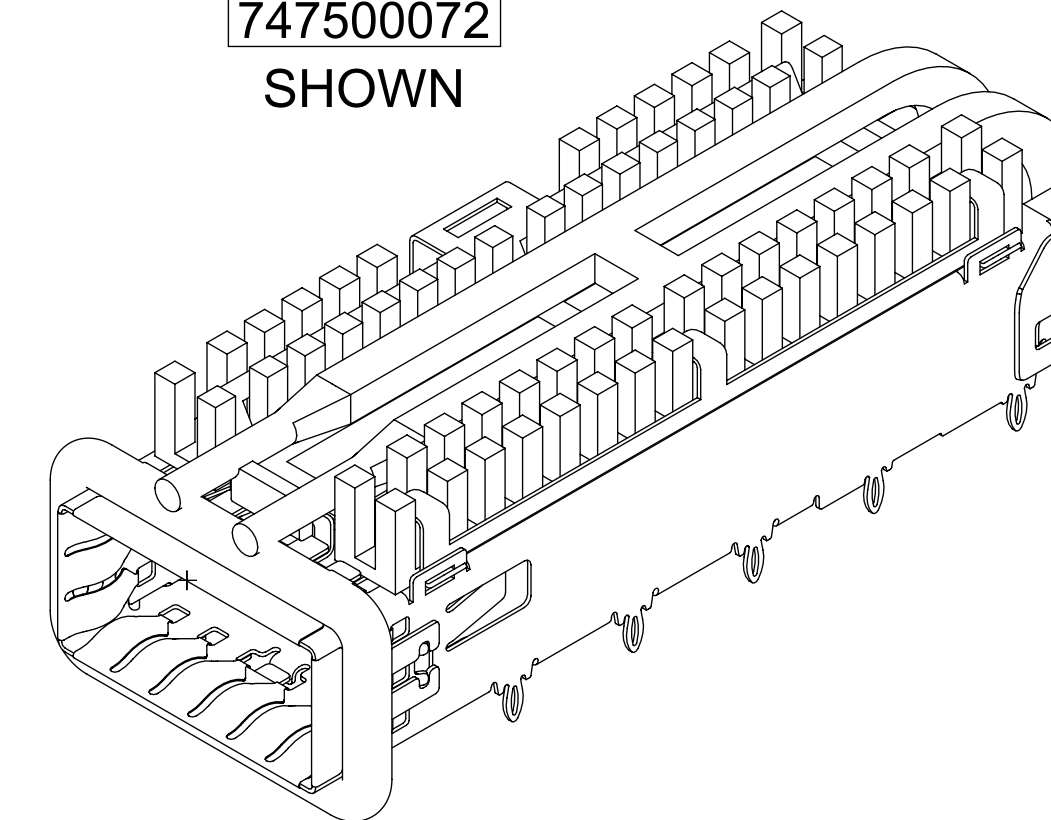
WITH OR WITHOUT HEATSINKS AND LIGHT PIPES

MOLEX P/N		LIGHT PIPES	HEAT-SINKS	LEG TYPE	# OF REAR LEGS PER PORT	LIGHT PIPE LENGTH
WITH 2.62 REF ROUND ELASTOMERIC GASKET	WITH 2.49 REF SQUARE ELASTOMERIC GASKET					
747500070	---	SINGLE	SAN	EN	2	55.0
747500072	---	DUAL	SAN	EN	2	
747500073	---	DUAL	NET	EN	2	55.0
---	747501590	QUAD	PCI	EN	2	
747501571	---	QUAD	SAN	EN	2	
---	747501593	QUAD	PCI	EN	-	
---	747501594	QUAD	SAN	EN	-	
---	747501595	QUAD	NET	EN	-	
747501577	---	DUAL	SAN	TD	2	
747501578	---	DUAL	NET	TD	2	

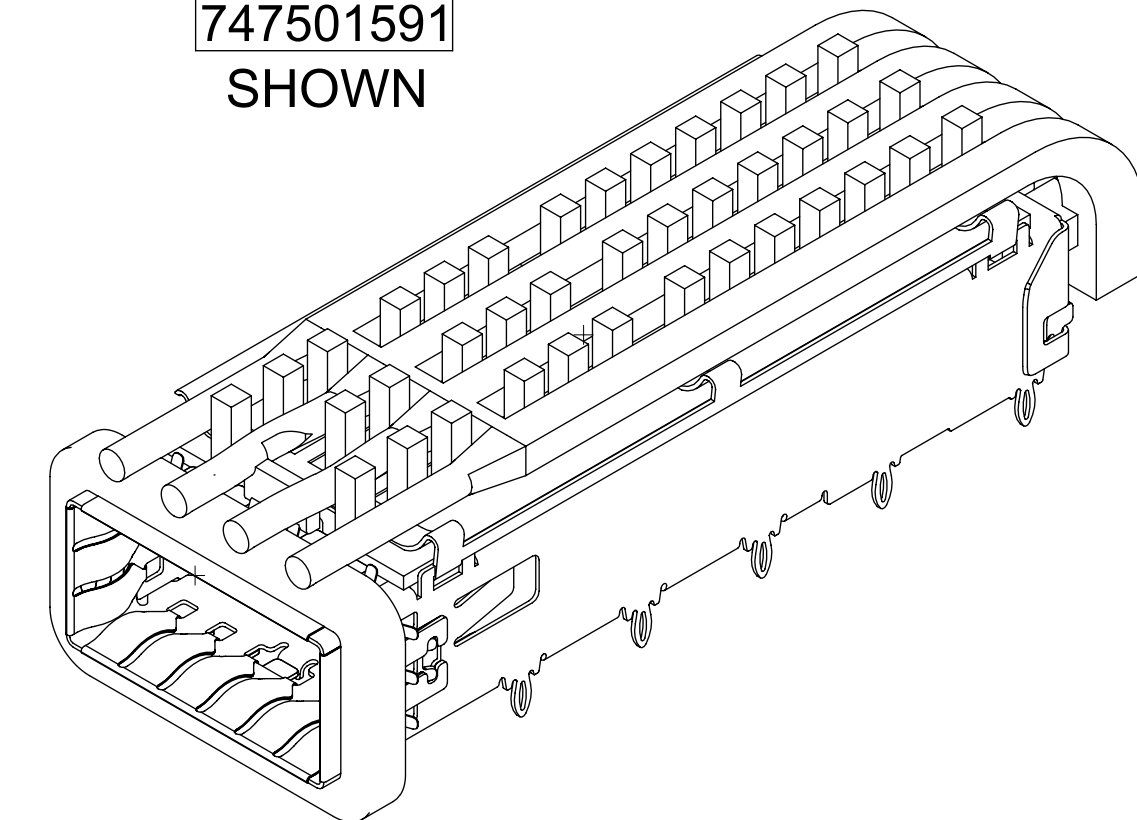
SINGLE LIGHT PIPE
747500070
SHOWN



DUAL LIGHT PIPES
747500072
SHOWN



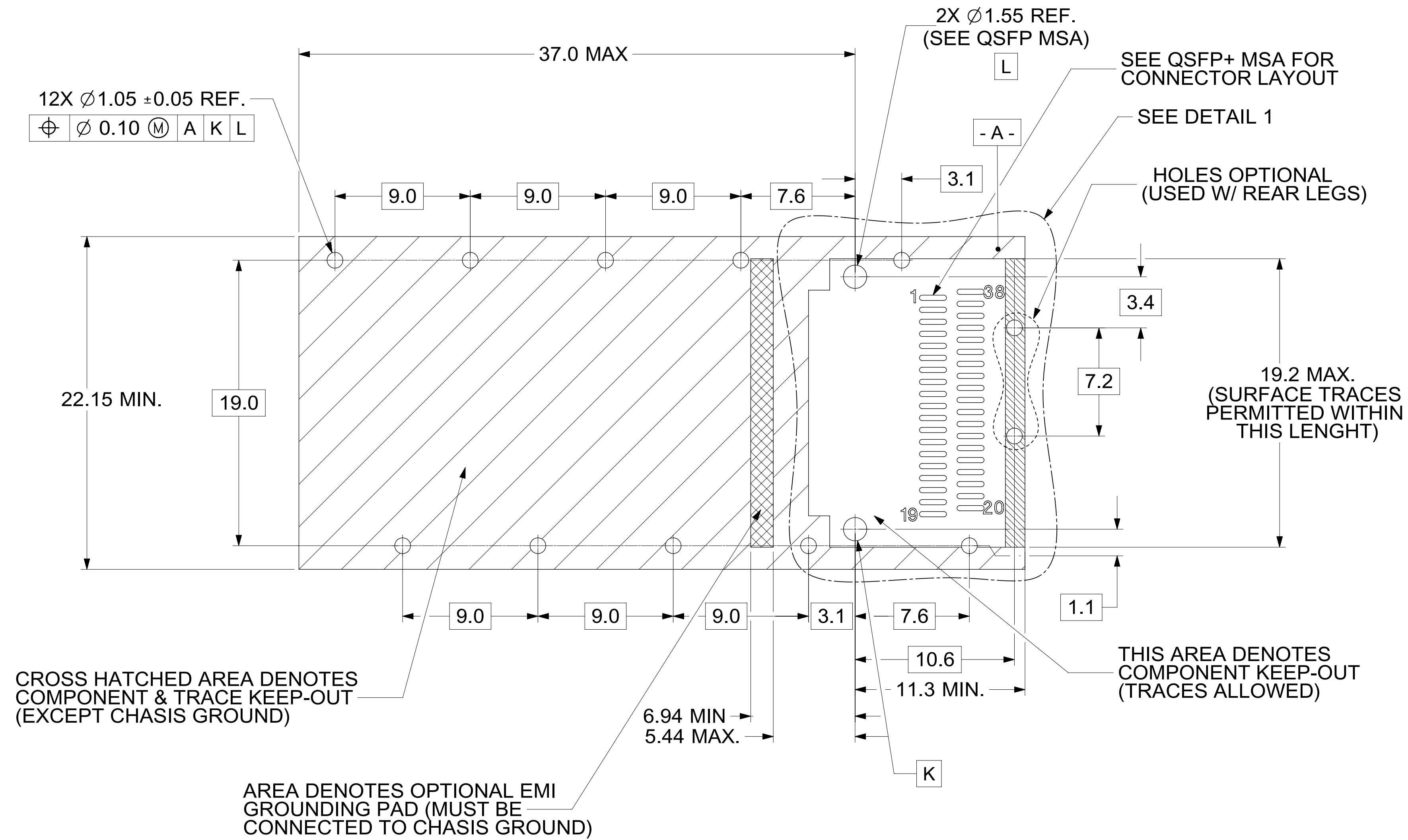
QUAD LIGHT PIPES
747501591
SHOWN



THIS DRAWING CONTAINS INFORMATION THAT IS PROPRIETARY TO MOLEX ELECTRONIC TECHNOLOGIES, LLC AND SHOULD NOT BE USED WITHOUT WRITTEN PERMISSION									
DIMENSION UNITS	SCALE	CURRENT REV DESC: OBSOLETE PART NUMBER AS PER PCN#509457.							
mm	2.5:1	<p>QSFP+ CAGE ASSEMBLIES W / ELASTOMERIC GASKET (ROUND & SQUARE)</p> <p>PRODUCT CUSTOMER DRAWING</p>							
GENERAL TOLERANCES (UNLESS SPECIFIED)									
ANGULAR TOL	± 1.0°	EC NO: 680890 DRWN: SANTHN 2021/06/08 CHK'D: GGA 2021/11/25 APPR: GGA 2021/11/25							
4 PLACES	±	INITIAL REVISION: DRWN: SMALLESHAPPA 2018/12/14 APPR: RCHEN08 2019/01/08							
3 PLACES	±								
2 PLACES	± 0.13	DOCUMENT NUMBER: 747500002 DOC TYPE: PSD DOC PART: ASY REVISION: F3							
1 PLACE	± 0.25								
0 PLACES	±	MATERIAL NUMBER: SEE P/N TABLE CUSTOMER:							
DRAFT WHERE APPLICABLE MUST REMAIN WITHIN DIMENSIONS		THIRD ANGLE PROJECTION	DRAWING	SERIES	SHEET NUMBER				
			D-SIZE	74750	4 OF 9				

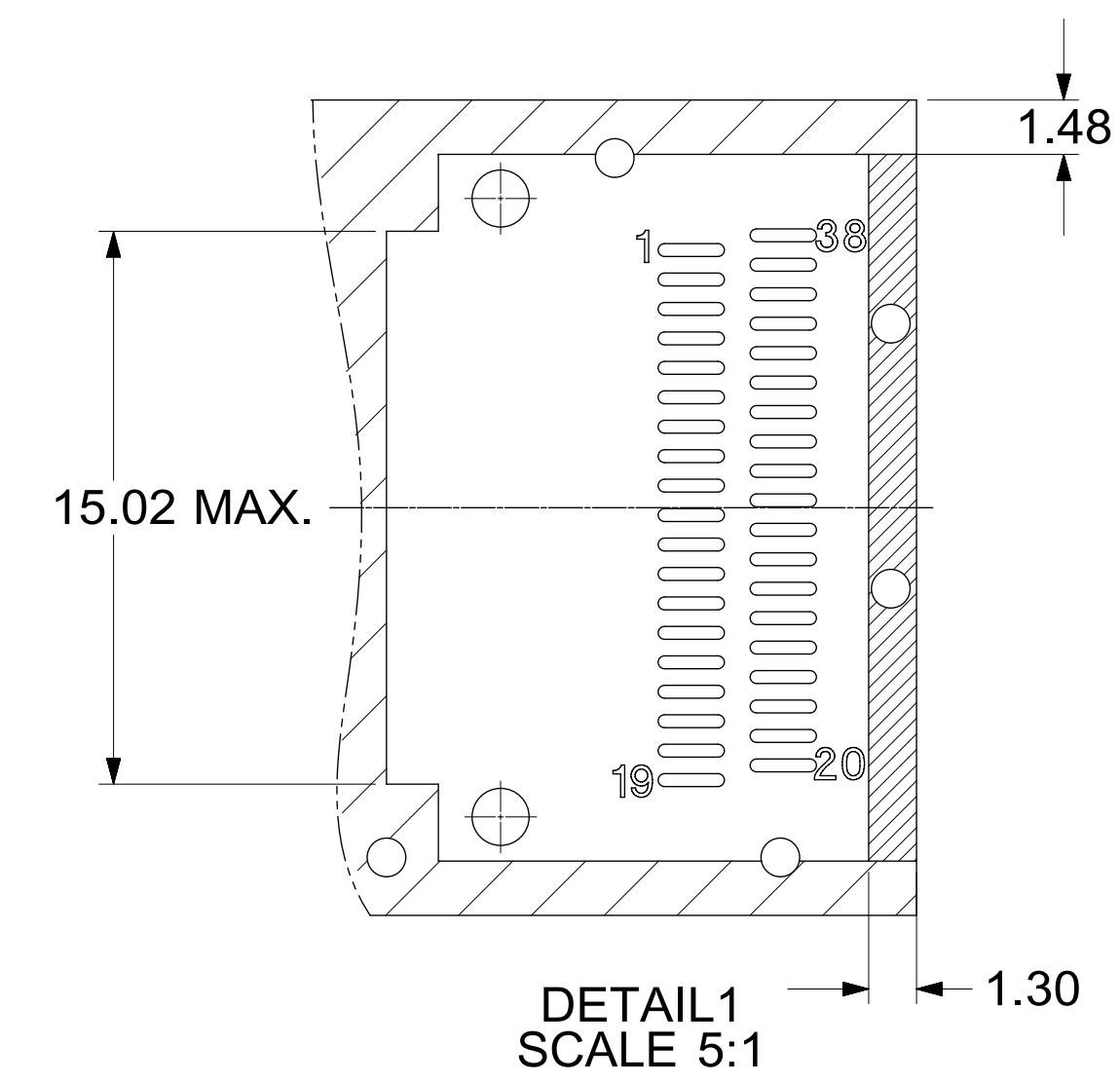
NOTE:
1. LEG TYPE:
EN - EYE OF THE NEEDLE
TD - TEAR DROP

PCB LAYOUT FOR SINGLE SIDED APPLICATIONS

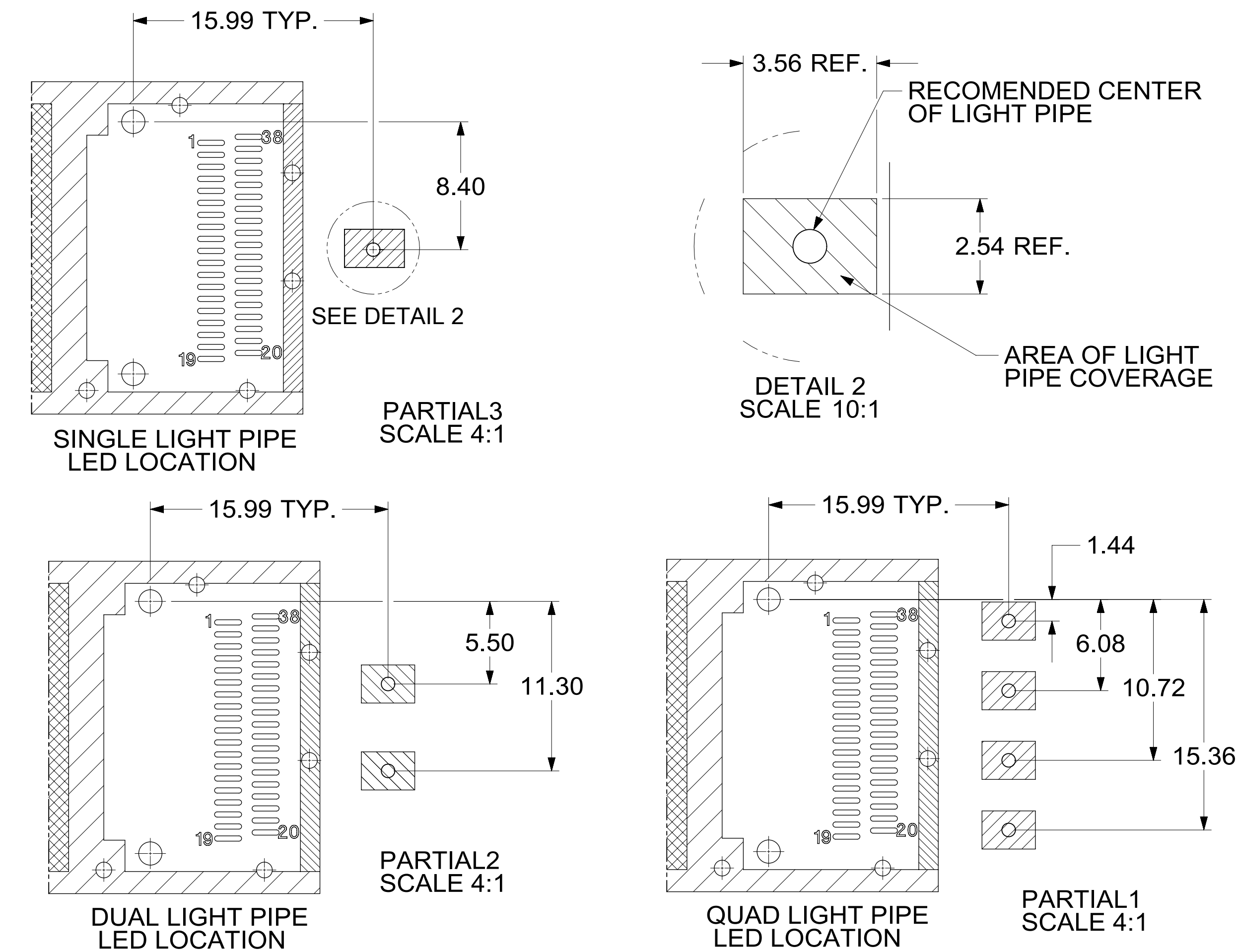


- NOTES:**
- DATUM -A- IS TOP SURFACE OF HOST BOARD PER MSA
 - FINISHED HOLE SIZE (AFTER PLATING)
 - DATUM -K- IS HOST BOARD THRU HOLE #1 TO ACCEPT CONNECTOR GUIDE POST PER MSA
 - DATUM -L- IS HOST BOARD THRU HOLE #2 TO ACCEPT CONNECTOR GUIDE POST PER MSA
 - SINGLE SIDED BOARD THICKNESS:
NOMINAL: 1.60 mm
MINIMUM: 1.44 mm

HOST CONNECTOR DETAIL

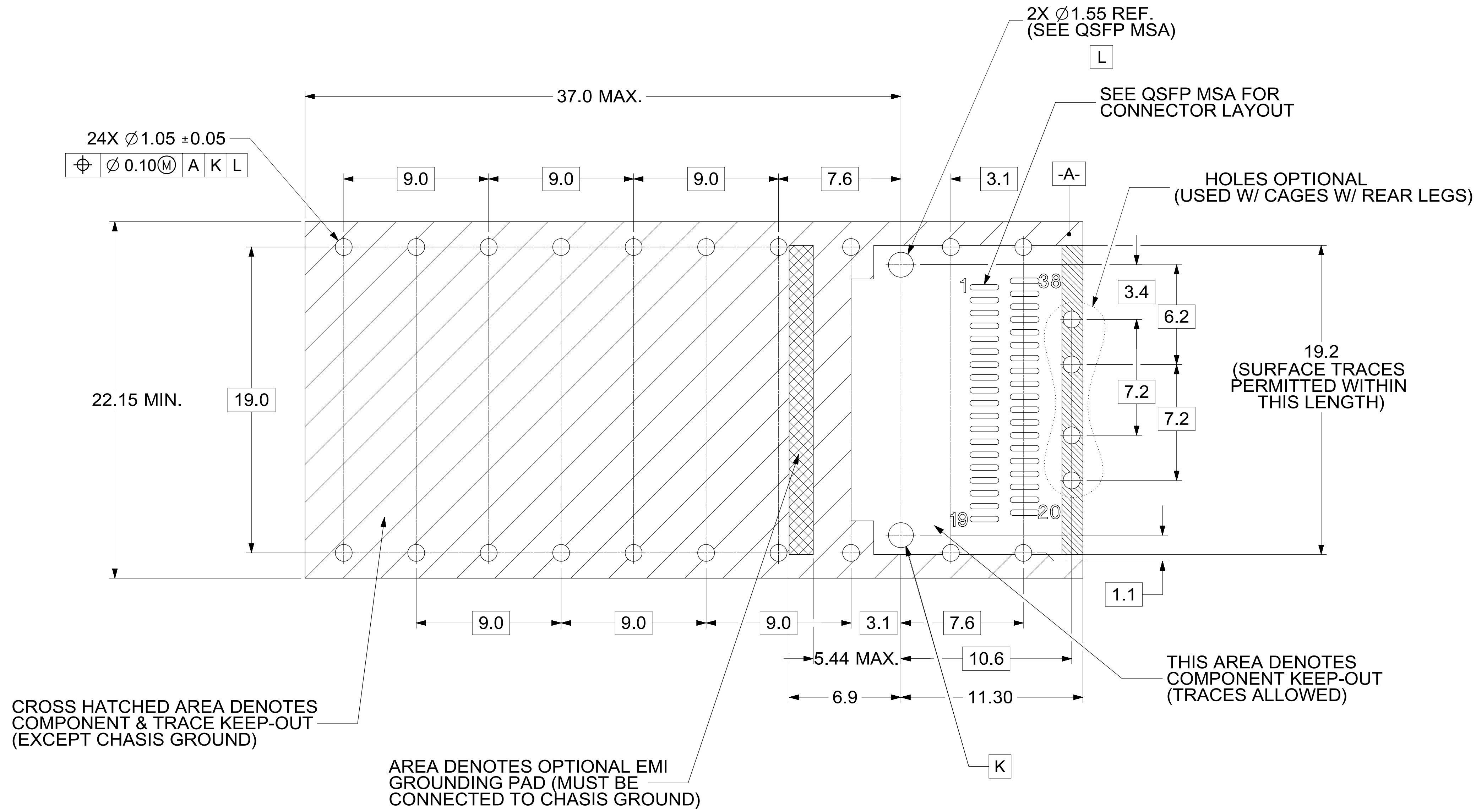


FOR CAGE ASSEMBLIES WITH LIGHT PIPES



THIS DRAWING CONTAINS INFORMATION THAT IS PROPRIETARY TO MOLEX ELECTRONIC TECHNOLOGIES, LLC AND SHOULD NOT BE USED WITHOUT WRITTEN PERMISSION									
DIMENSION UNITS		SCALE		CURRENT REV DESC: OBSOLETE PART NUMBER AS PER PCN#509457.					
mm		4:1							
GENERAL TOLERANCES (UNLESS SPECIFIED)									
ANGULAR TOL ± 1.0°									
4 PLACES ±		3 PLACES ±		2 PLACES ± 0.13		1 PLACE ± 0.25		0 PLACES ±	
DRAFT WHERE APPLICABLE MUST REMAIN WITHIN DIMENSIONS				THIRD ANGLE PROJECTION		DRAWING		SERIES	
				D-SIZE		74750			
EC NO: 680890				DRWN: SANTHN		2021/06/08			
CHK'D: GGA				APPR: GGA		2021/11/25			
INITIAL REVISION:				DRWN: SMALLESHAPPA		2018/12/14			
APPR: RCHEN08				2019/01/08					
DOCUMENT NUMBER				DOC TYPE		DOC PART		REVISION	
747500002				PSD		ASY		F3	
MATERIAL NUMBER				CUSTOMER		SHEET NUMBER			
SEE SHEET 4						5 OF 9			

PCB LAYOUT FOR BELLY-TO-BELLY APPLICATIONS



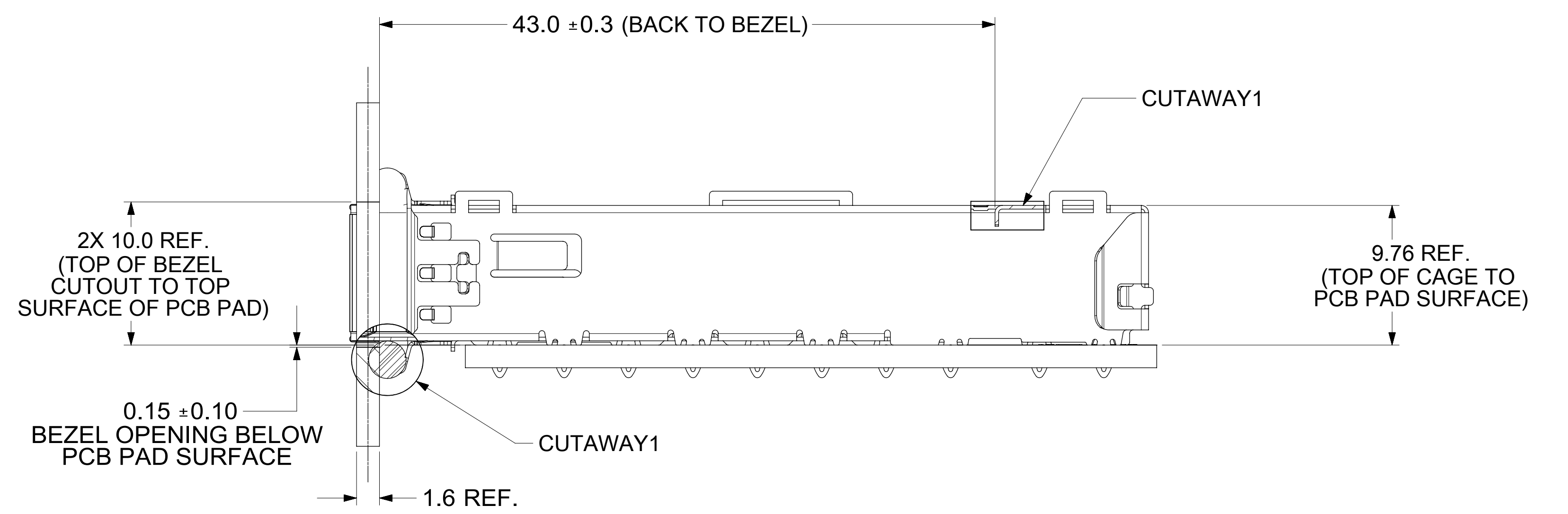
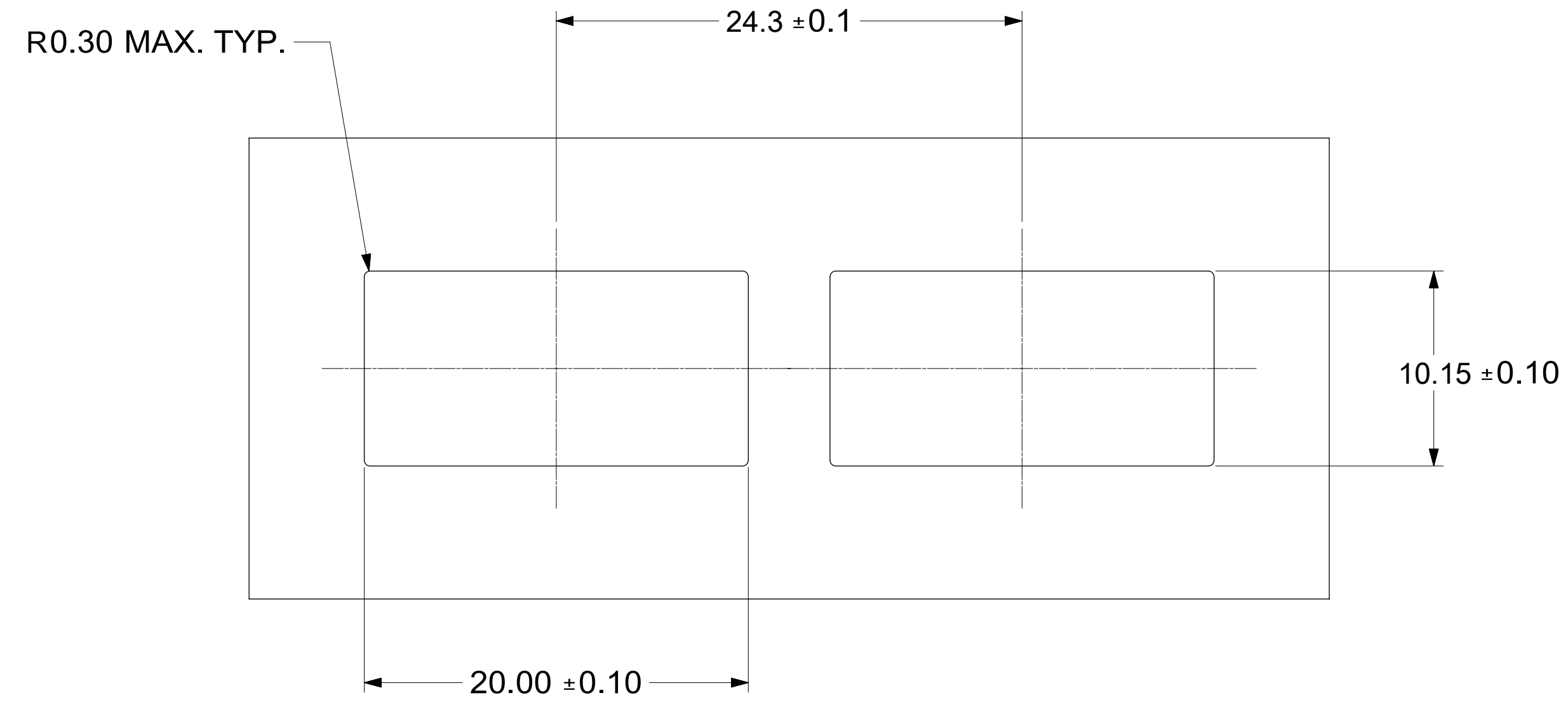
NOTE:
 FOR RECOMENDED CENTER OF LIGHT PIPES,
 SEE SHEET 5

NOTES:

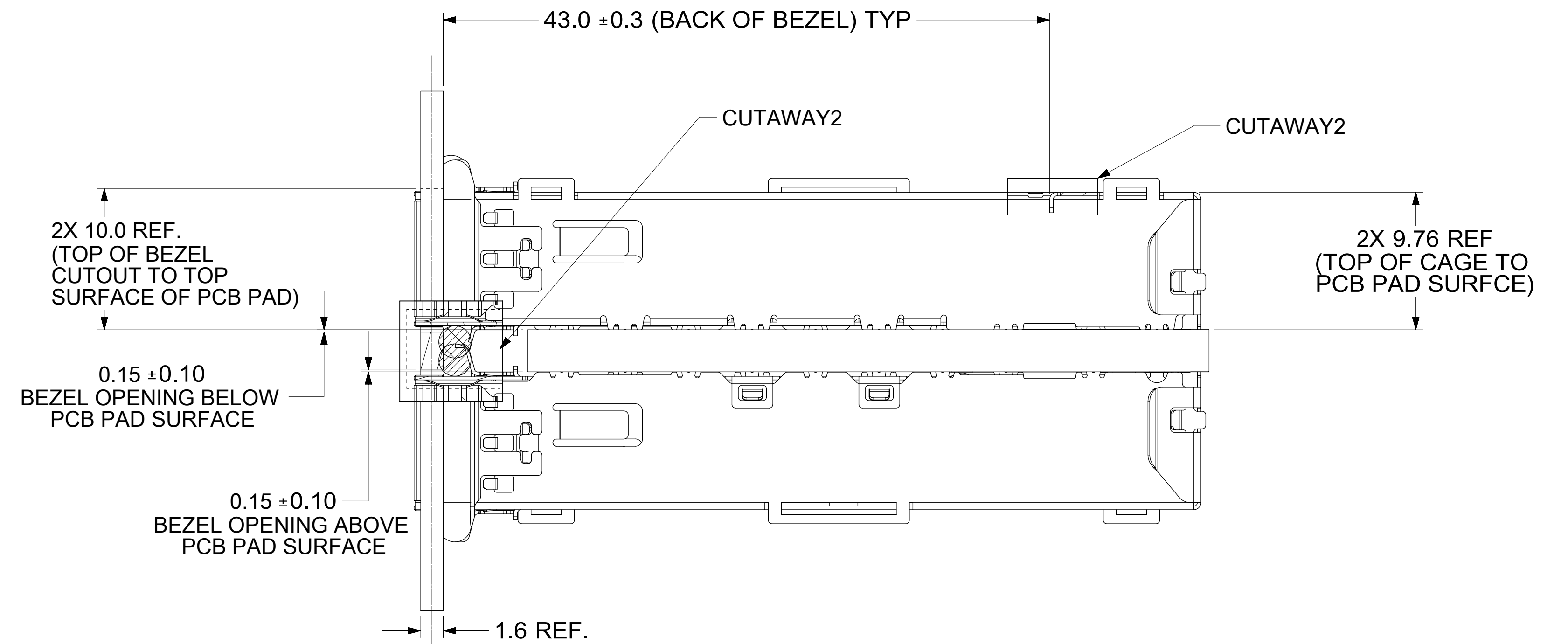
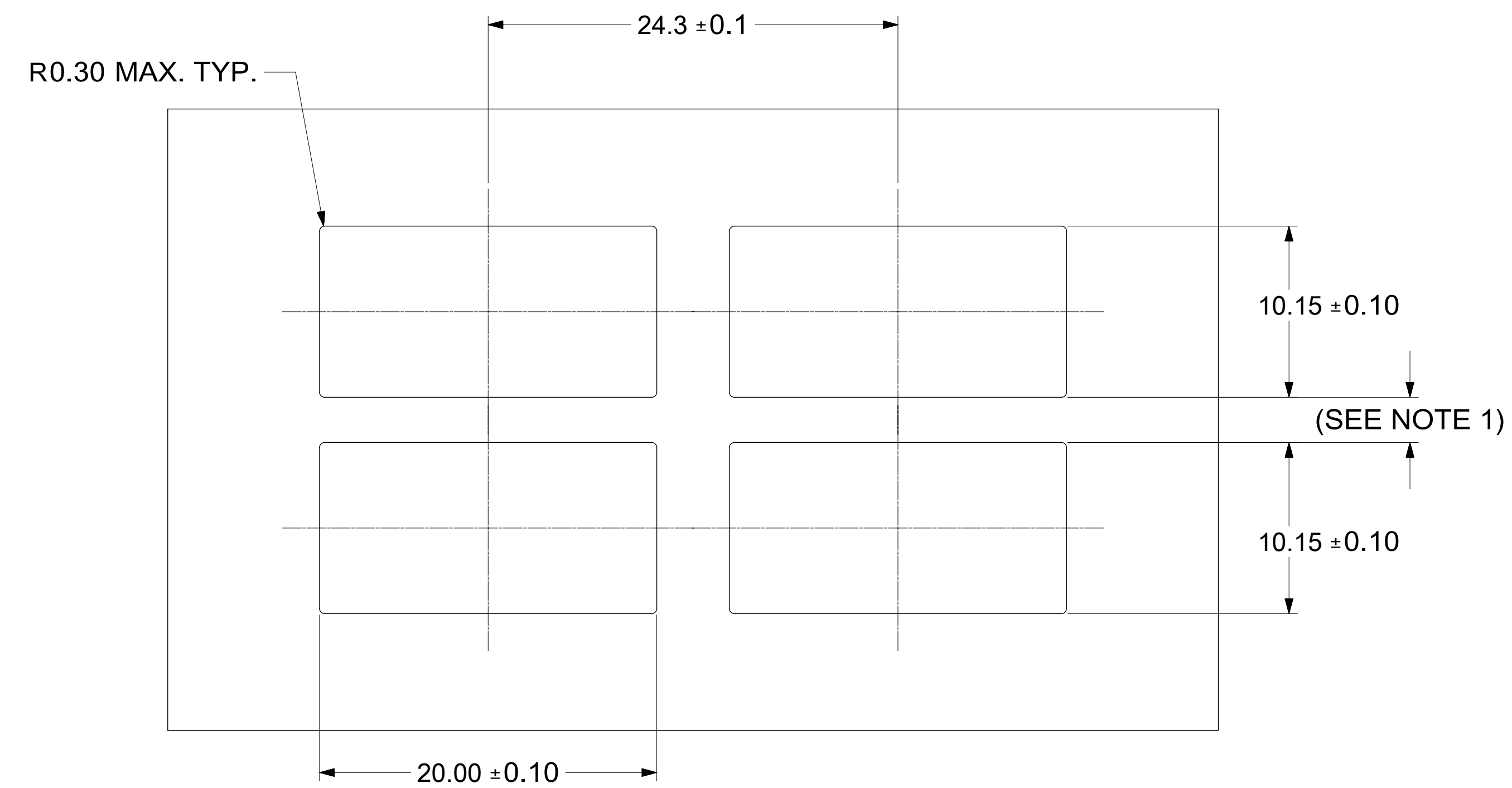
- DATUM -A- IS TOP SURFACE OF HOST BOARD PER MSA
- FINISHED HOLE SIZE (AFTER PLATING)
- DATUM -K- IS HOST BOARD THRU HOLE #1 TO ACCEPT CONNECTOR GUIDE POST PER MSA
- DATUM -L- IS HOST BOARD THRU HOLE #2 TO ACCEPT CONNECTOR GUIDE POST PER MSA
- BELLY TO BELLY BOARD THICKNESS:
 NOMINAL: 2.90 mm
 MINIMUM: 2.48 mm

THIS DRAWING CONTAINS INFORMATION THAT IS PROPRIETARY TO MOLEX ELECTRONIC TECHNOLOGIES, LLC AND SHOULD NOT BE USED WITHOUT WRITTEN PERMISSION									
DIMENSION UNITS	SCALE	CURRENT REV DESC: OBSOLETE PART NUMBER AS PER PCN#509457.							
mm	6:1								
GENERAL TOLERANCES (UNLESS SPECIFIED)		EC NO: 680890			QSFP+ CAGE ASSEMBLIES W / ELASTOMERIC GASKET (ROUND & SQUARE)				
ANGULAR TOL	$\pm 1.0^\circ$	DRWN: SANTHN 2021/06/08			PRODUCT CUSTOMER DRAWING				
4 PLACES	\pm	CHK'D: GGA 2021/11/25			DOCUMENT NUMBER				
3 PLACES	\pm	APPR: GGA 2021/11/25			747500002				
2 PLACES	± 0.13	INITIAL REVISION:			DOC TYPE				
1 PLACE	± 0.25	DRWN: SMALLESHAPPA 2018/12/14			PSD				
0 PLACES	\pm	APPR: RCHEN08 2019/01/08			AS Y				
DRAFT WHERE APPLICABLE MUST REMAIN WITHIN DIMENSIONS		THIRD ANGLE PROJECTION	DRAWING	SERIES	MATERIAL NUMBER	CUSTOMER	REVISION		
			D-SIZE	74750	SEE SHEET 4		F3		
							SHEET NUMBER		
							6 OF 9		

BEZEL AND BOARD POSITION DIMENSIONS FOR SINGLE SIDE MOUNTING



BEZEL AND BOARD POSITION DIMENSIONS FOR BELLY TO BELLY MOUNTING

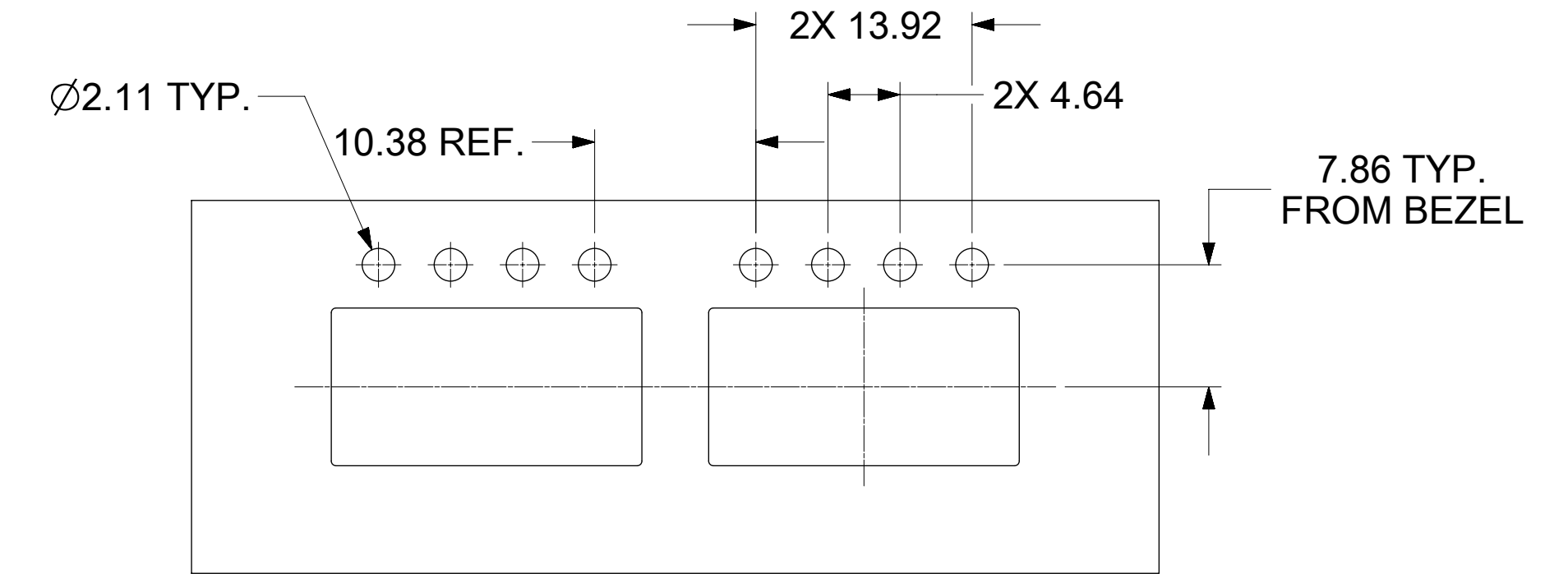
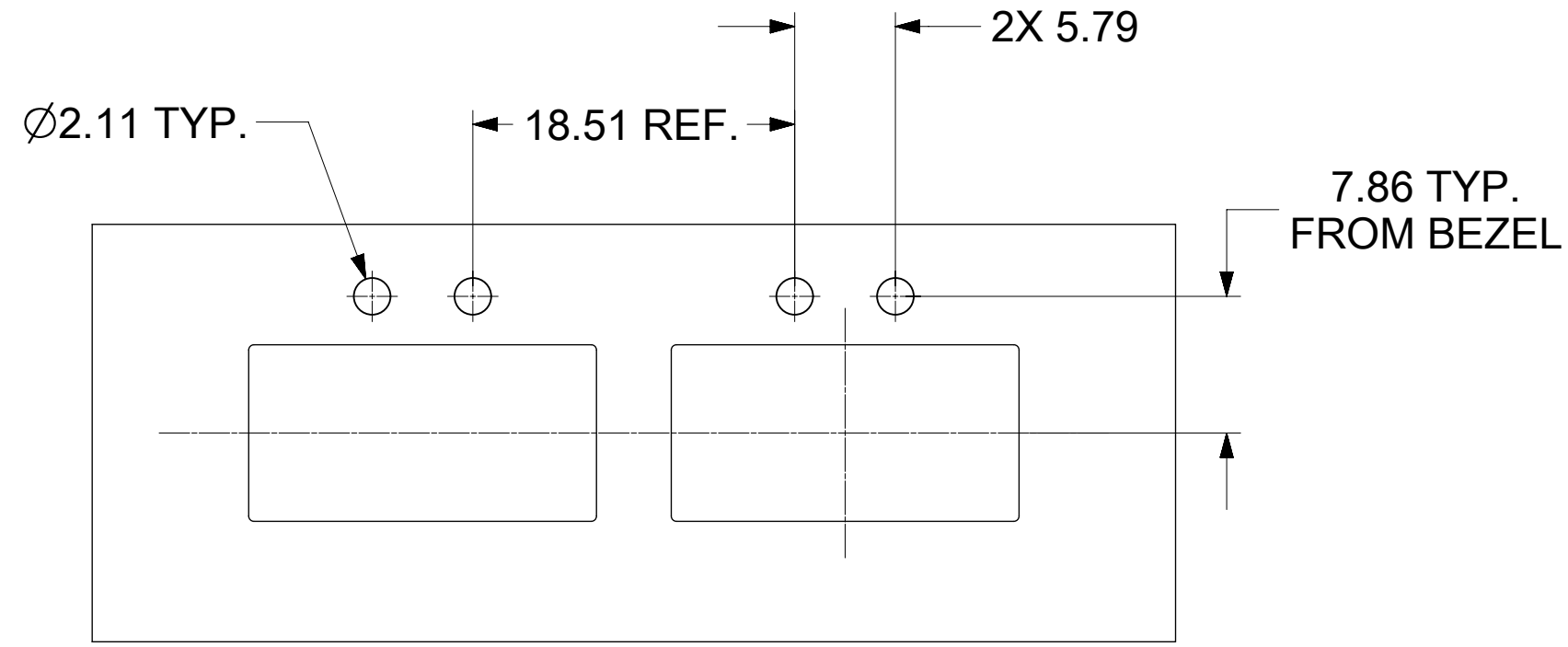
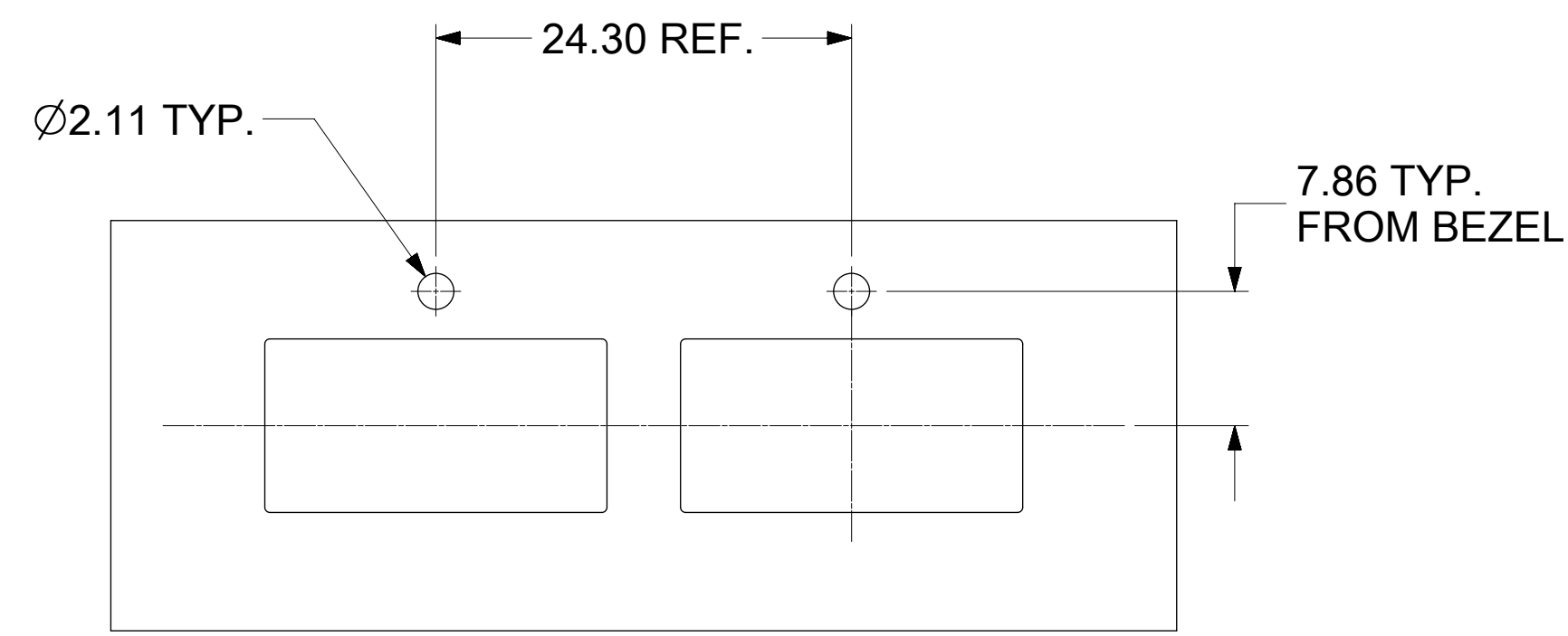


NOTE:
1. PCB THICKNESS VARIATION MUST BE CONSIDERED WHEN DETERMINING BEZEL OPENING, SIZE, AND LOCATION.

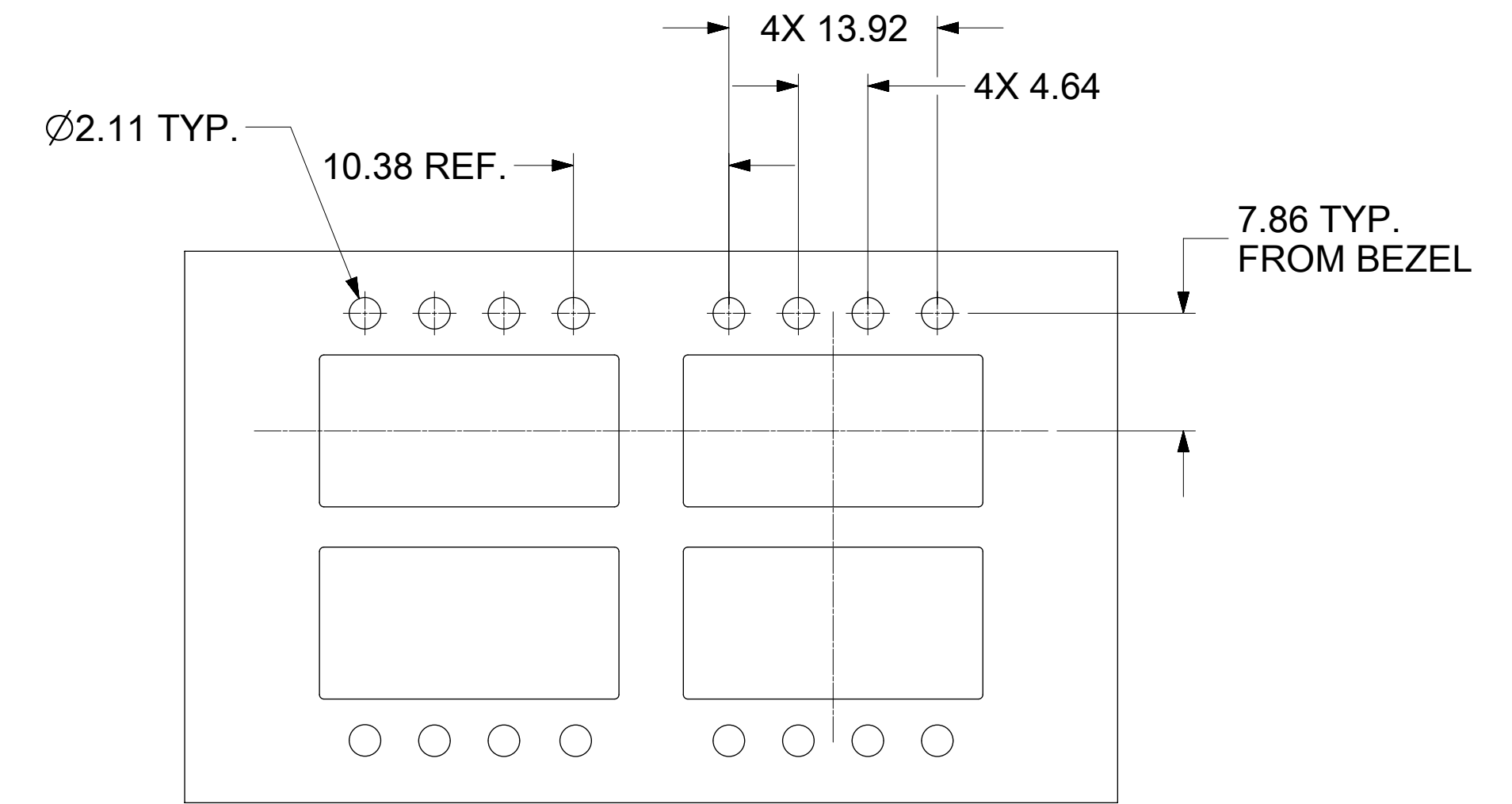
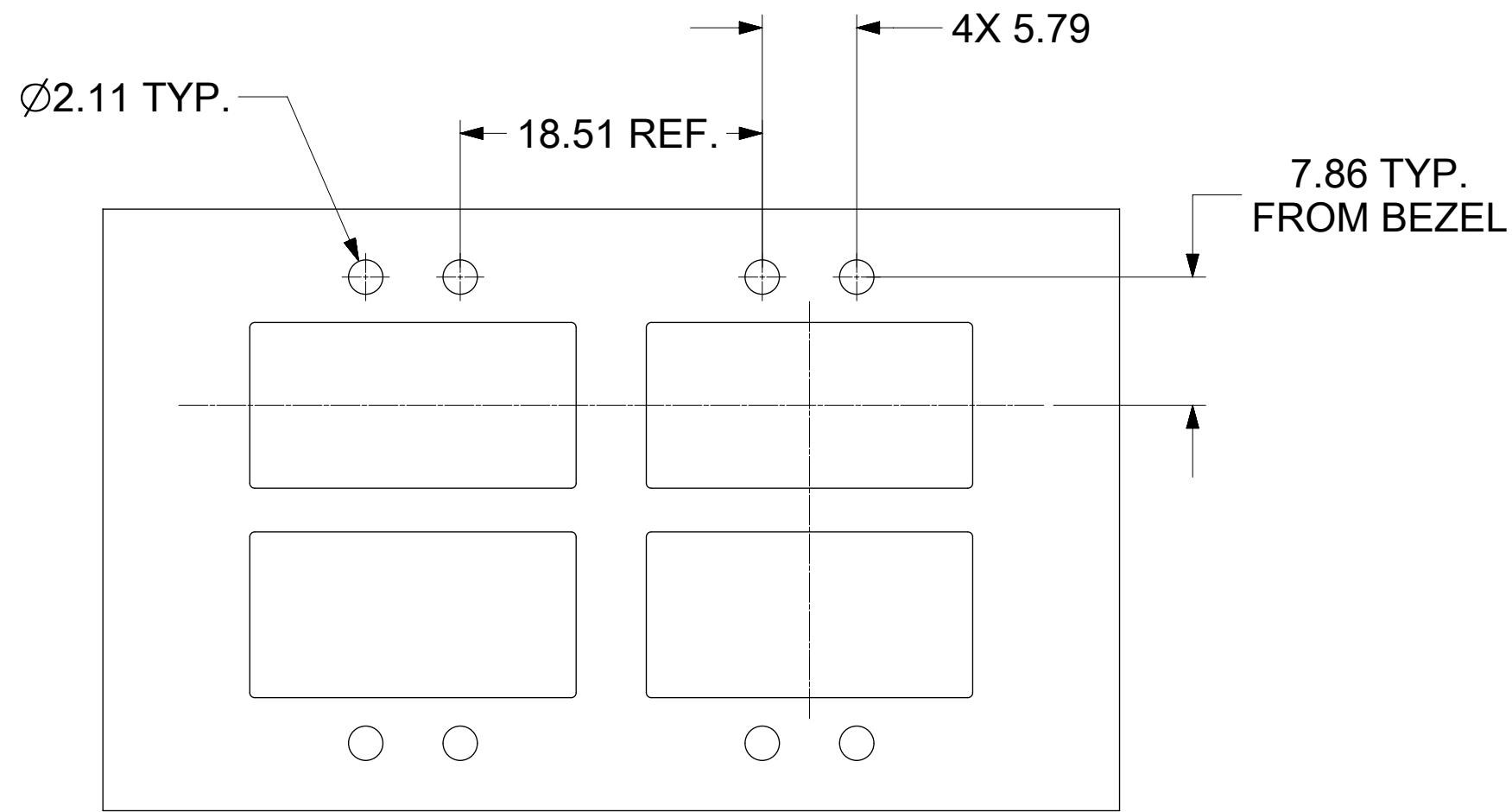
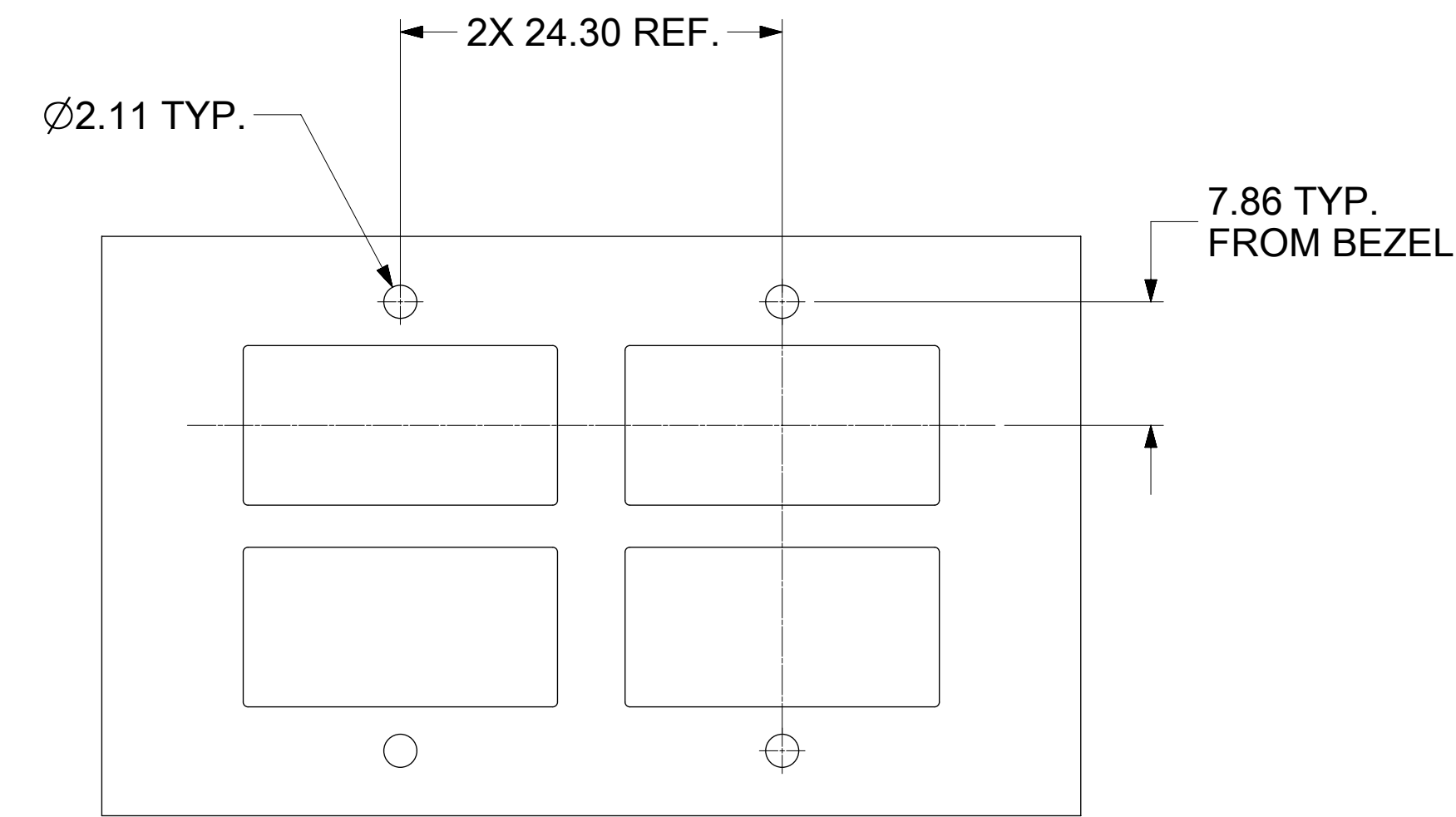
THIS DRAWING CONTAINS INFORMATION THAT IS PROPRIETARY TO MOLEX ELECTRONIC TECHNOLOGIES, LLC AND SHOULD NOT BE USED WITHOUT WRITTEN PERMISSION

DIMENSION UNITS mm	SCALE 4:1	CURRENT REV DESC: OBSOLETE PART NUMBER AS PER PCN#509457.				
GENERAL TOLERANCES (UNLESS SPECIFIED)						QSFP+ CAGE ASSEMBLIES W / ELASTOMERIC GASKET (ROUND & SQUARE)
ANGULAR TOL	± 1.0°	EC NO: 680890	PRODUCT CUSTOMER DRAWING			
4 PLACES	±	DRWN: SANTHN 2021/06/08	DOCUMENT NUMBER	DOC TYPE	DOC PART	REVISION
3 PLACES	±	CHK'D: GGA 2021/11/25	747500002	PSD	ASY	F3
2 PLACES	± 0.13	APPR: GGA 2021/11/25				
1 PLACE	± 0.25	INITIAL REVISION: DRWN: SMALLESHAPPA 2018/12/14 APPR: RCHEN08 2019/01/08	MATERIAL NUMBER	CUSTOMER	SHEET NUMBER	
0 PLACES	±	DRAFT WHERE APPLICABLE MUST REMAIN WITHIN DIMENSIONS	SEE SHEET 4		7 OF 9	

BEZEL LIGHT PIPE CUTOUT POSITION DIMENSIONS FOR SINGLE SIDE MOUNTING




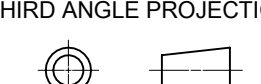
BEZEL LIGHT PIPE CUTOUT POSITION DIMENSIONS FOR BELLY-TO-BELLY MOUNTING



NOTE:
1. PCB THICKNESS VARIATION MUST BE CONSIDERED WHEN DETERMINING BEZEL OPENING, SIZE, AND LOCATION.

THIS DRAWING CONTAINS INFORMATION THAT IS PROPRIETARY TO MOLEX ELECTRONIC TECHNOLOGIES, LLC AND SHOULD NOT BE USED WITHOUT WRITTEN PERMISSION									
DIMENSION UNITS	SCALE	CURRENT REV DESC: OBSOLETE PART NUMBER AS PER PCN#509457.							
mm	2.5:1	<p>molex</p> <p>QSFP+ CAGE ASSEMBLIES W / ELASTOMERIC GASKET (ROUND & SQUARE)</p> <p>PRODUCT CUSTOMER DRAWING</p>							
GENERAL TOLERANCES (UNLESS SPECIFIED)									
ANGULAR TOL	± 1.0°								
4 PLACES	±								
3 PLACES	±								
2 PLACES	± 0.13	EC NO: 680890	2021/06/08						
1 PLACE	± 0.25	DRWN: SANTHN	2021/11/25						
0 PLACES	±	CHK'D: GGA	2021/11/25						
DRAFT WHERE APPLICABLE MUST REMAIN WITHIN DIMENSIONS		APPR: GGA	2021/11/25						
THIRD ANGLE PROJECTION		INITIAL REVISION:	DOCUMENT NUMBER	DOC TYPE	DOC PART	REVISION			
		DRWN: SMALLESHAPPA	747500002	PSD	ASY	F3			
D-DRAWING		APPR: RCHEN08	2018/12/14						
SERIES		2019/01/08	MATERIAL NUMBER	CUSTOMER	SHEET NUMBER				
D-SIZE		74750	SEE SHEET 4		8 OF 9				

DATE	REV	DESCRIPTION
2012/06/28	A	1. INITIAL RELEASE
2012/10/23	B	1.ADDED LEG OPTIONS (SHEET 2 @ B19). 2.ADDED NEW SHEET AND MOVED HEATSINK & LIGHT PIPE OPTIONS TO SHEET 3. 3.MOVED P/N TABLES TO SHEET 4. 4.ADDED P/N's 74750-0048, -0079, -1200, -1201, -1202, -1203, -1240, -1241, -1242, -1243 TO TABLES (SHEET 4) AND REFRESHED ISO VIEW OF 747500072 (SHEET 4 @ E6). 5.ADDED "LIGHT PIPE LENGTH" TO PART NUMBER SELECTION TABLE "WITH HEATSINKS AND LIGHT PIPES" (SHEET 4). 6.ADDED OPTIONAL HOLE NOTE TO SINGLE SIDED PCB LAYOUT (SHEET 5 @ J10) & UPDATED BELLY TO BELLY (SHEET 6 @ J8) ALSO UPDATED NOTES ON SHEET 5 & 6 ADDING MIN/NOM PCB THICKNESS. 7.CHANGED DIMENSION 43.4±0.3 (BACK TO BEZEL) TO 43.0±0.3 (BACK TO BEZEL) (SHEET 7 @ F8 & L8) AND REMOVED BEZEL CENTER DIMENSION.
2013/07/24	C	1. ADDED P/N 74750-1576 TO SHEET 4 2. REVISED DIM FROM 10.15+/-0.10 TO; (SEE NOTE 1) ON BELLY TO BELLY BEZEL VIEW SHEET 7.
2015/10/05	D	SHEET 1: M20: ADDED "MM 3D MODEL: TM-74750-0002". SHEET 2: C06: ADDED CUSTOM HEATSINK OVERALL HEIGHT 21.0 INTO TABLE.
2015/11/25	E	SHEET 4: ADDED P/N:747501577 AND 747501578.
2018/12/17	F	REMASTERED FROM SD-74750-0002 REV-E TO 747500002 PSD ASY REV-F IN NX / ECTR
2019/10/01	F1	OBSOLETED PART NO 747500076 SHEET 1: B18 : NOTE ADDED "ELASTOMERIC GASKET: SILICON, COLOR BLACK" SHEET 4: D18: REMOVED PART NUMBER 747500076 FROM THE TABLE.
2020/07/20	F2	OBSOLETED P/N 0747501591
2021/06/08	F3	REMOVED OBSOLETED PART NUMBERS 747500027, 747500043, 747500045, 747500071, 747500074, 747500075, 747500077, 747500079, 747500090, 747

THIS DRAWING CONTAINS INFORMATION THAT IS PROPRIETARY TO MOLEX ELECTRONIC TECHNOLOGIES, LLC AND SHOULD NOT BE USED WITHOUT WRITTEN PERMISSION									
DIMENSION UNITS	SCALE	CURRENT REV DESC: OBSOLETED PART NUMBER AS PER PCN#509457.							
mm	1:1								
GENERAL TOLERANCES (UNLESS SPECIFIED)					QSFP+ CAGE ASSEMBLIES W / ELASTOMERIC GASKET (ROUND & SQUARE)				
ANGULAR TOL	± 1.0°								
4 PLACES	±	EC NO: 680890			PRODUCT CUSTOMER DRAWING				
3 PLACES	±	DRWN: SANTHN 2021/06/08							
2 PLACES	± 0.13	CHK'D: GGA 2021/11/25							
1 PLACE	± 0.25	APPR: GGA 2021/11/25			DOCUMENT NUMBER: 747500002 DOC TYPE: PSD DOC PART: ASY REVISION: F3				
0 PLACES	±	INITIAL REVISION: DRWN: SMALLESHAPPA 2018/12/14 APPR: RCHEN08 2019/01/08							
DRAFT WHERE APPLICABLE MUST REMAIN WITHIN DIMENSIONS		THIRD ANGLE PROJECTION	DRAWING	SERIES	MATERIAL NUMBER	CUSTOMER		SHEET NUMBER	
			D-SIZE	74750	SEE SHEET 4			9 OF 9	