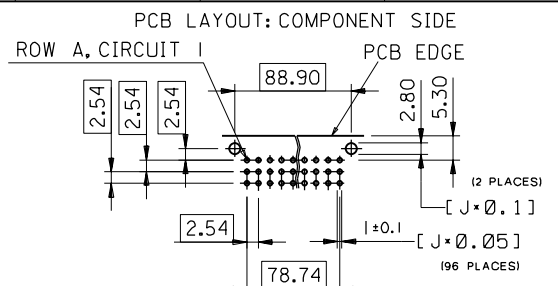
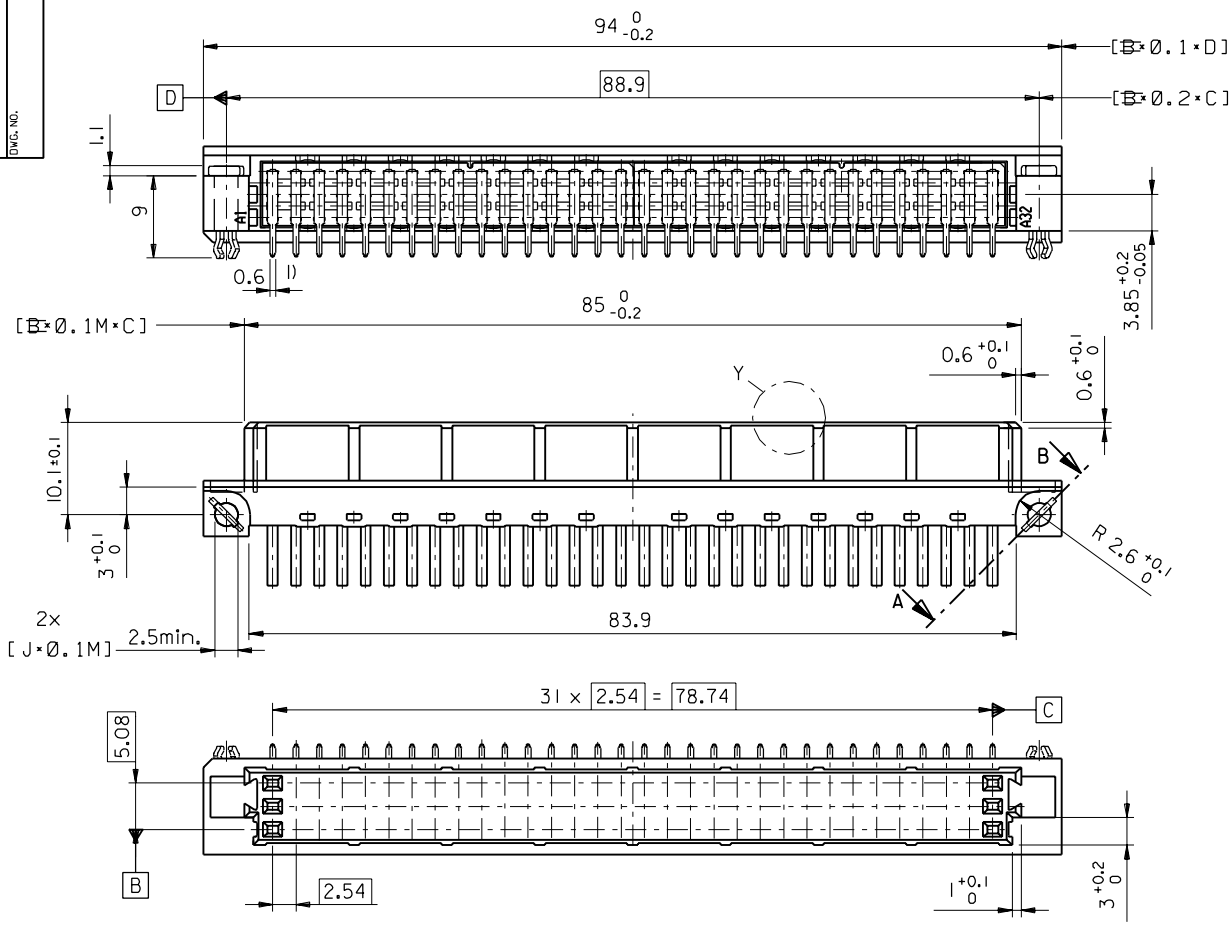
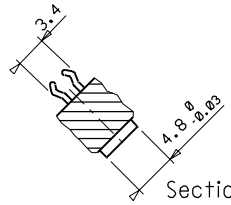
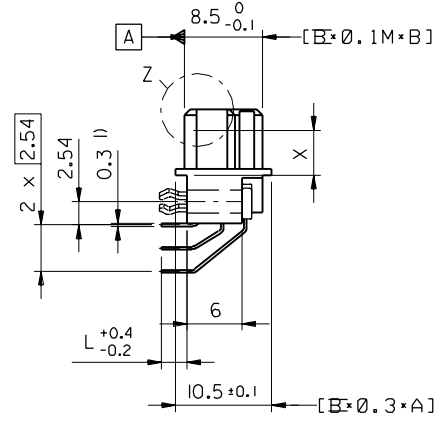


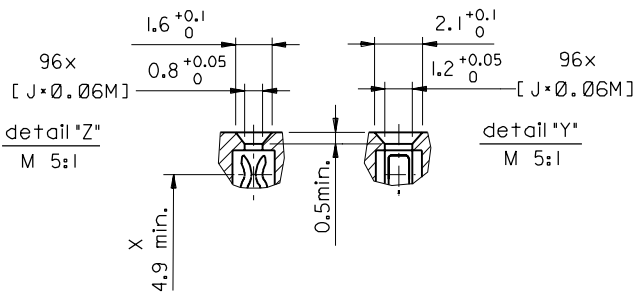
PART NO.
DWG. NO.



1) tails to fit in PC-board layout



Section A - B



FIRST ANGLE PROJECTION

UNLESS OTHERWISE SPECIFIED TOLERANCES: ANGULAR ±2°	DRWG BY	SIGN
INCH	KN	
METRIC	CHK'D BY	SIGN
3 PLACE ±	Ca	
2 PLACE ±	APP'D BY	SIGN
1 PLACE ±	JB	
DRAFT WHERE APPLICABLE MUST REMAIN WITHIN DIMENSIONS	SCALE	
DESIGN DIMENSION <input checked="" type="checkbox"/> MM		
<input type="checkbox"/> IN.		
EQUIVALENT DIMENSION <input type="checkbox"/> MM		
<input type="checkbox"/> IN.		
IF TWO DIMENSIONS ARE SHOWN THE UPPER IS THE DESIGN DIMENSION, LOWER IS SECONDARY		

REVISE ONLY ON CAD SYSTEM

ECN MG1998-2586 hole pattern/L+0.4-0.2 97-09-15 KN	REVISIONS	FOR PREVIOUS REVISIONS SEE MRL LIST	CAECAM PROJECT NAME 85052000 611	TITLE 96 pos. female connector DIN 41612 style R + clip Dimensions	SHEET NO. DATE 1 OF 2 96/04/25
BI	LTR		THIS DRAWING CONTAINS INFORMATION THAT IS PROPRIETARY TO MOLEX INC. & SHOULD NOT BE USED WITHOUT WRITTEN PERMISSION	MOLEX MOLEX EUROPE	PART NO. DWG NO. SIZE SDA-85052-0001 B