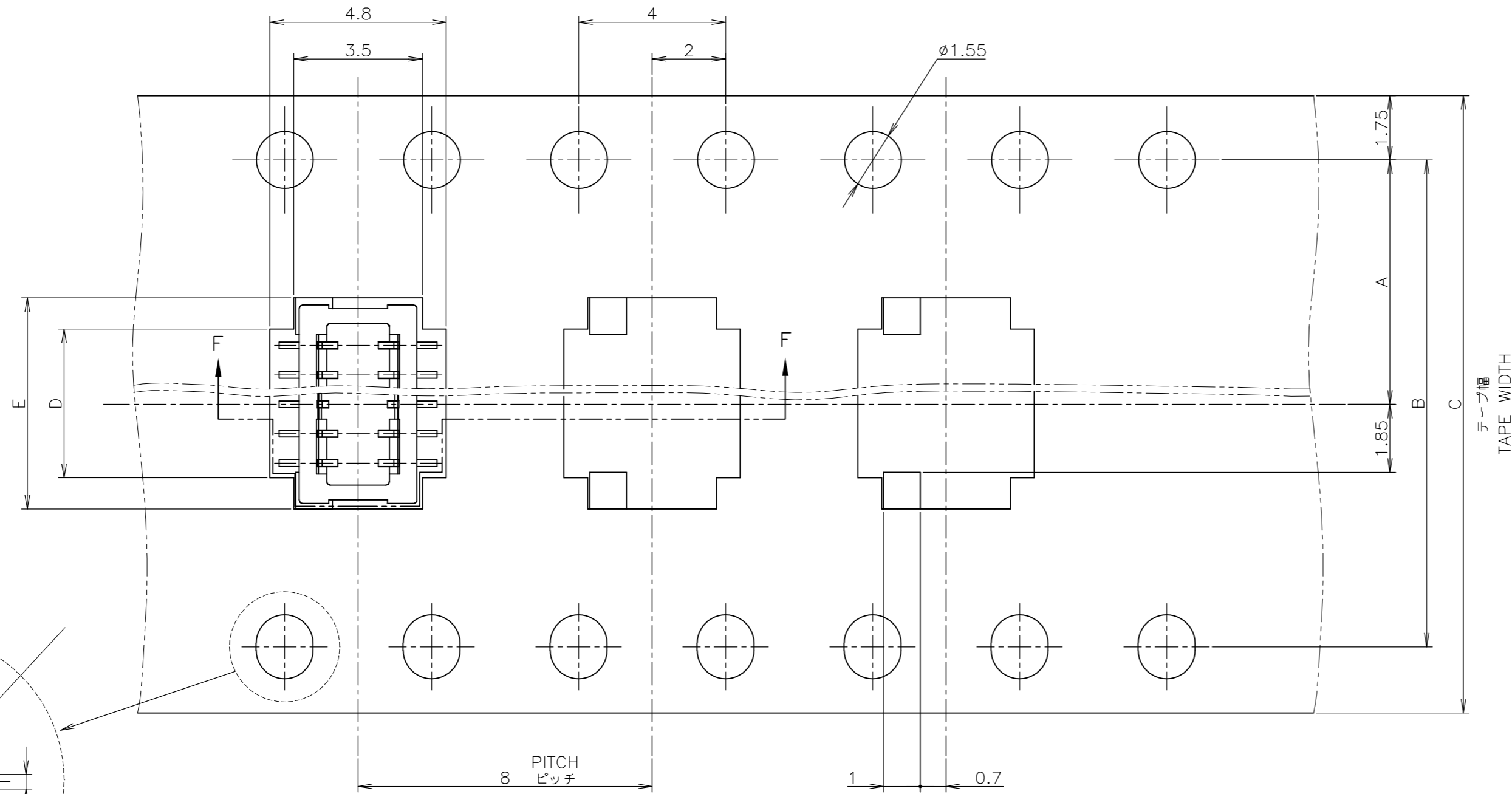
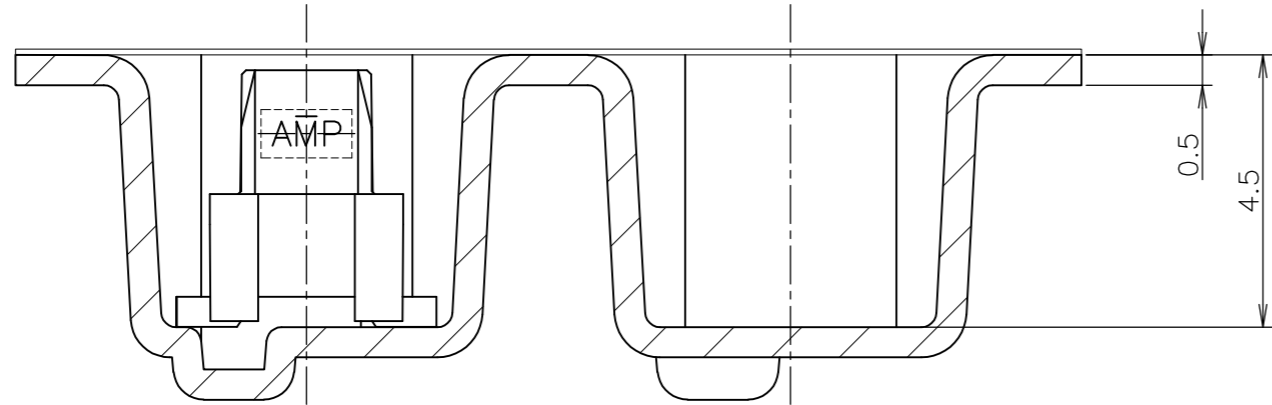
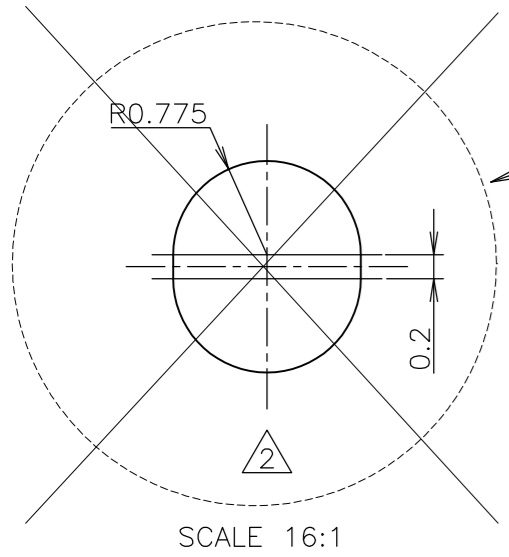


THIS DRAWING IS UNPUBLISHED. RELEASED FOR PUBLICATION JUL, 1993.
 © COPYRIGHT 1993 BY TYCO ELECTRONICS CORPORATION. ALL RIGHTS RESERVED.

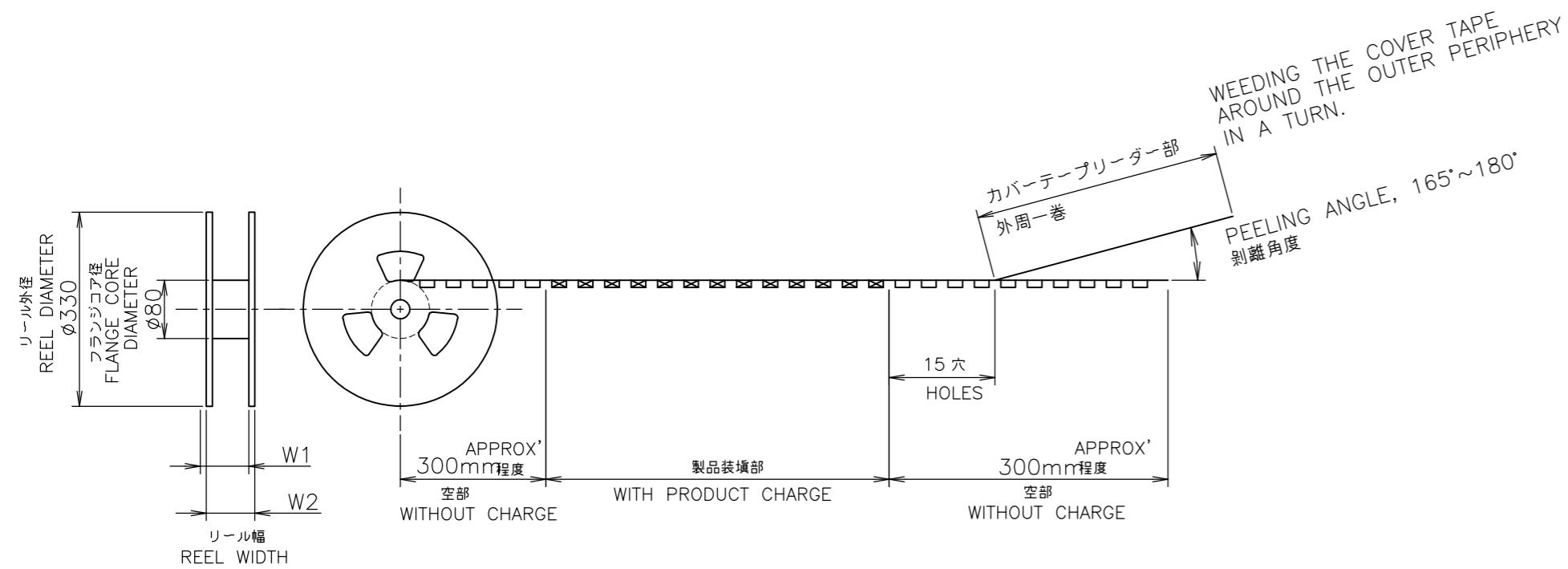
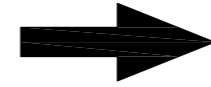
LOC		DIST		REVISONS				
J				変更	DESCRIPTION	DATE	DWN	APVD
		G		REVISED	ECR-07-013272	06JUN2007	T.T	T.F



1 包装規格: 107-5142-1
 △指示穴は48極品のみ適用。
 1 PACKAGING SPEC: 107-5142-1
 △THESE HOLES ARE APPLIED TO 48 POS. ONLY.



TOP OF REEL
 引出し方向



OBSOLETE	-37	34	20.9	19.2	32	28.4	14.2	1500	48	4	1-179208-8
	29	26	13.7	12.0	24	—	11.5	1500	30	3	3-179208-0
OBSOLETE	-21	18	9.7	8.0	16	—	7.5	1500	20	2	2-179208-0
	21	18	8.9	7.2	16	—	7.5	1500	18	1	1-179208-8
	21	18	8.1	6.4	16	—	7.5	1500	16	1	1-179208-6
	21	18	7.3	5.6	16	—	7.5	1500	14	1	1-179208-4
	W2	W1	E	D	C	B	A	数量(ヶ) QTY/REEL	極数 POS	リール巻 コネクタ型番 TAPING P/N	

GENERAL TOLERANCE
 一般公差
 10 ≥ : ±0.2
 30 ≥ > 10: ±0.25
 100 ≥ > 30: ±0.3
 ANGLES: ±3°

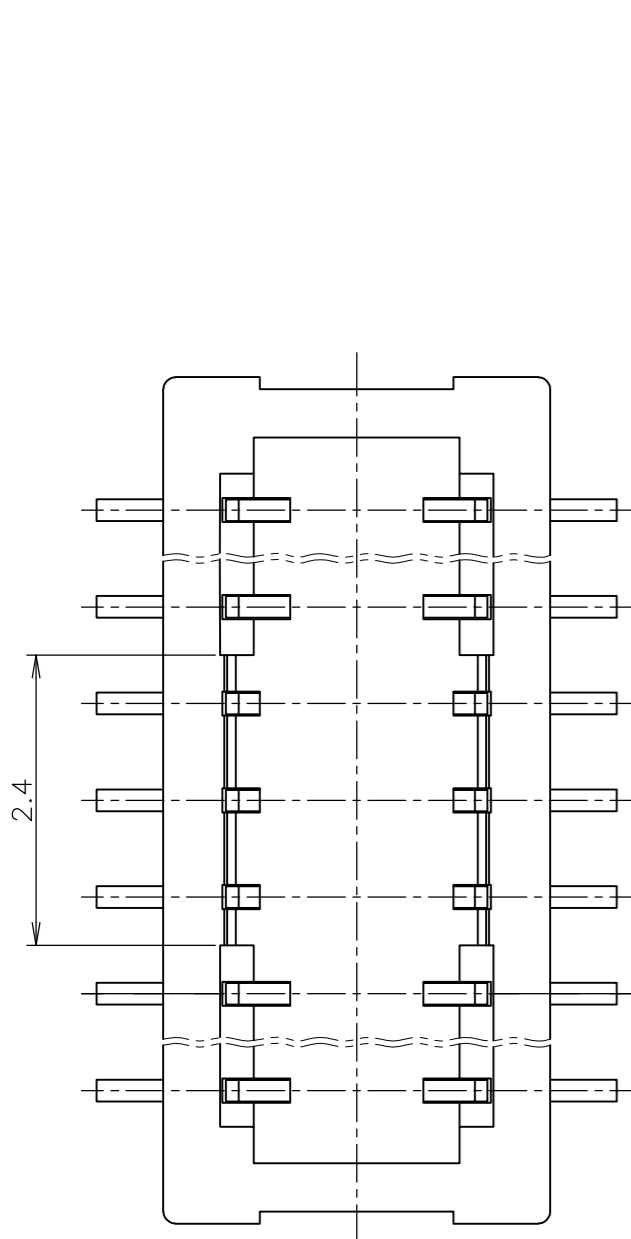
THIS DRAWING IS A CONTROLLED DOCUMENT.

DWN	K.ASAKAWA	27JUL1993	Tyco Electronics AMP K.K. Kawasaki, Japan
CHK	S.KUBOUCHI	27JUL1993	
APVD	S.KUBOUCHI	22OCT1998	NAME 名称
PRODUCT SPEC	製品規格		ON TAPING EMBOSS PLUG ASSEMBLY WITHOUT BOSS 0.8mm PITCH BOARD TO BOARD CONN Au PLATED
APPLICATION SPEC	取付適用規格		SIZE
WEIGHT			CAGE CODE
CUSTOMER DRAWING			DRAWING NO 番号
			RESTRICTED TO
			SCALE 尺度
			SHEET
			REV

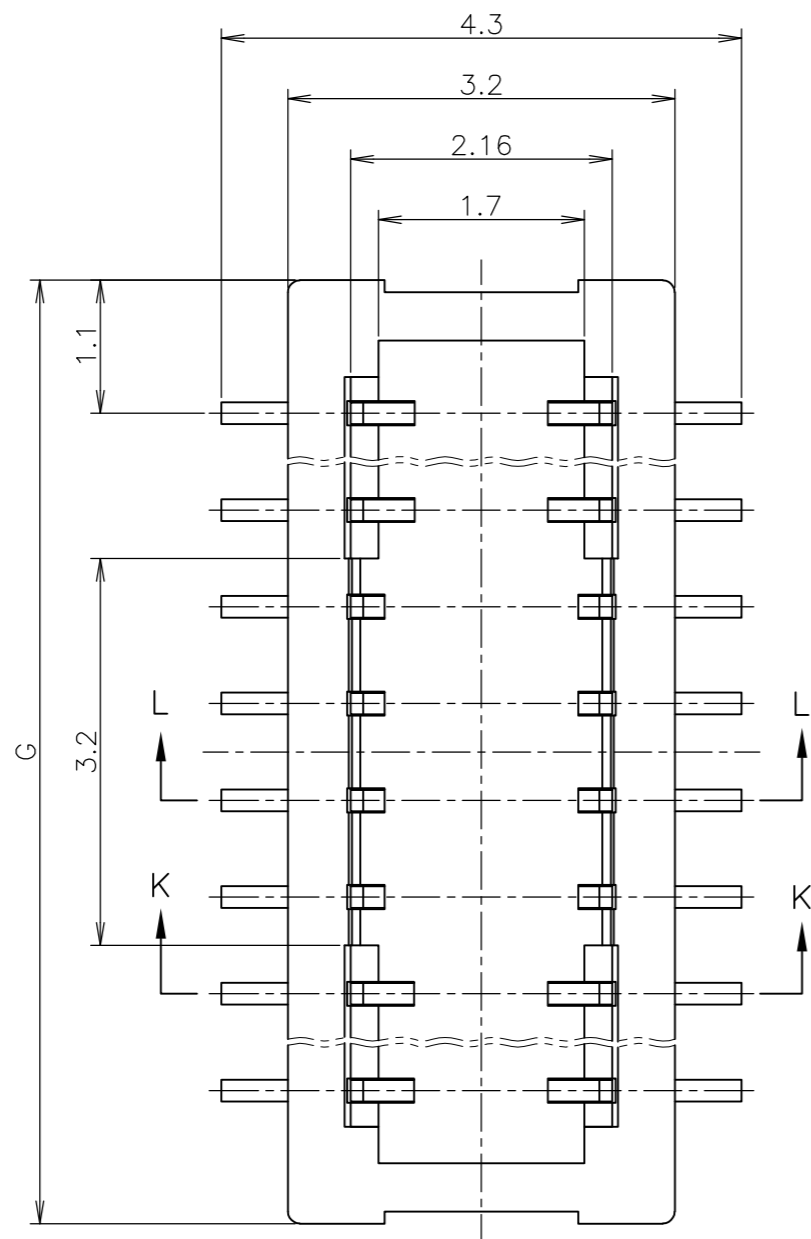
A2 00779 C=179208

THIS DRAWING IS UNPUBLISHED. RELEASED FOR PUBLICATION JUL ,1993.
 © COPYRIGHT 1993 BY TYCO ELECTRONICS CORPORATION. ALL RIGHTS RESERVED.

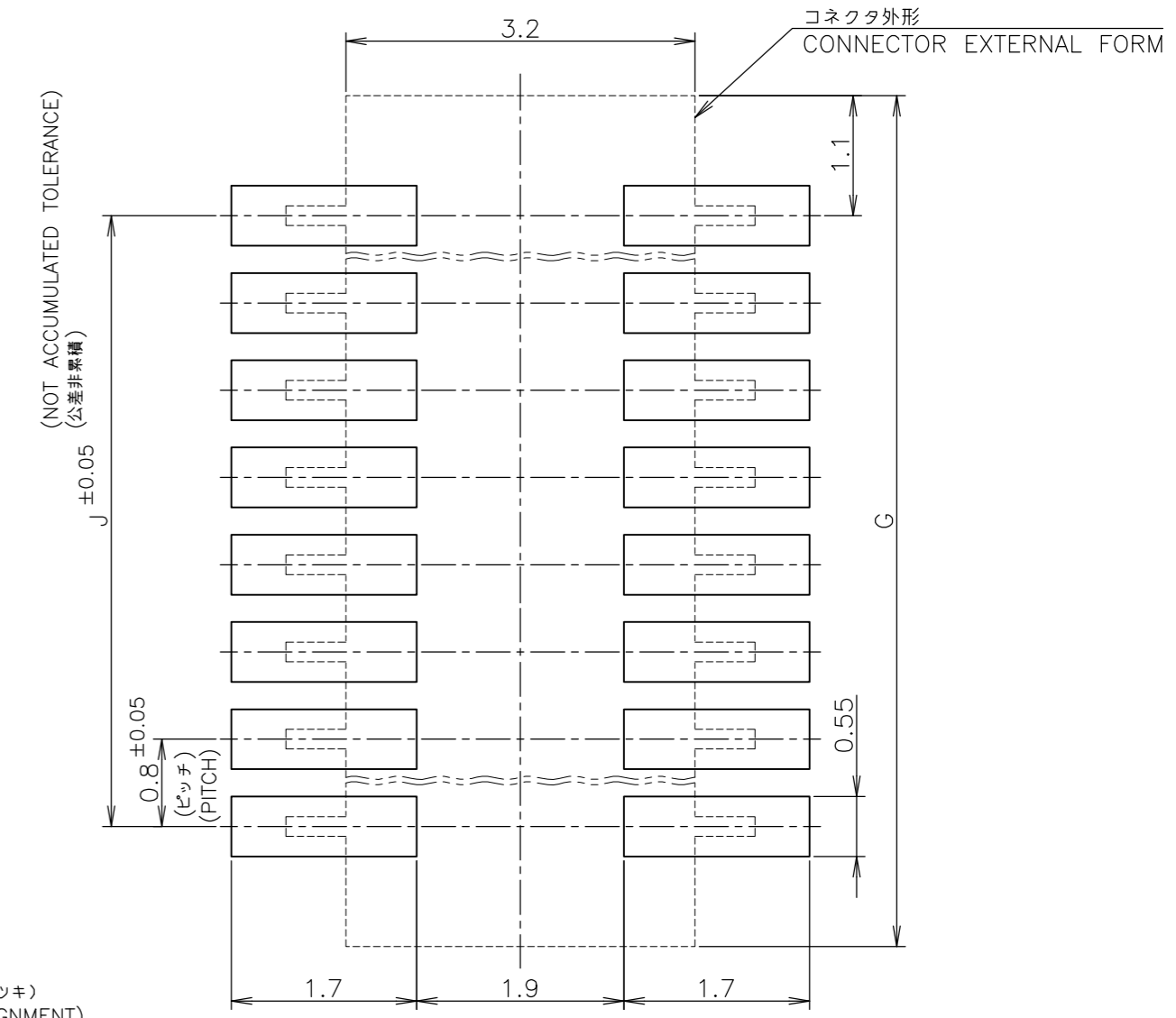
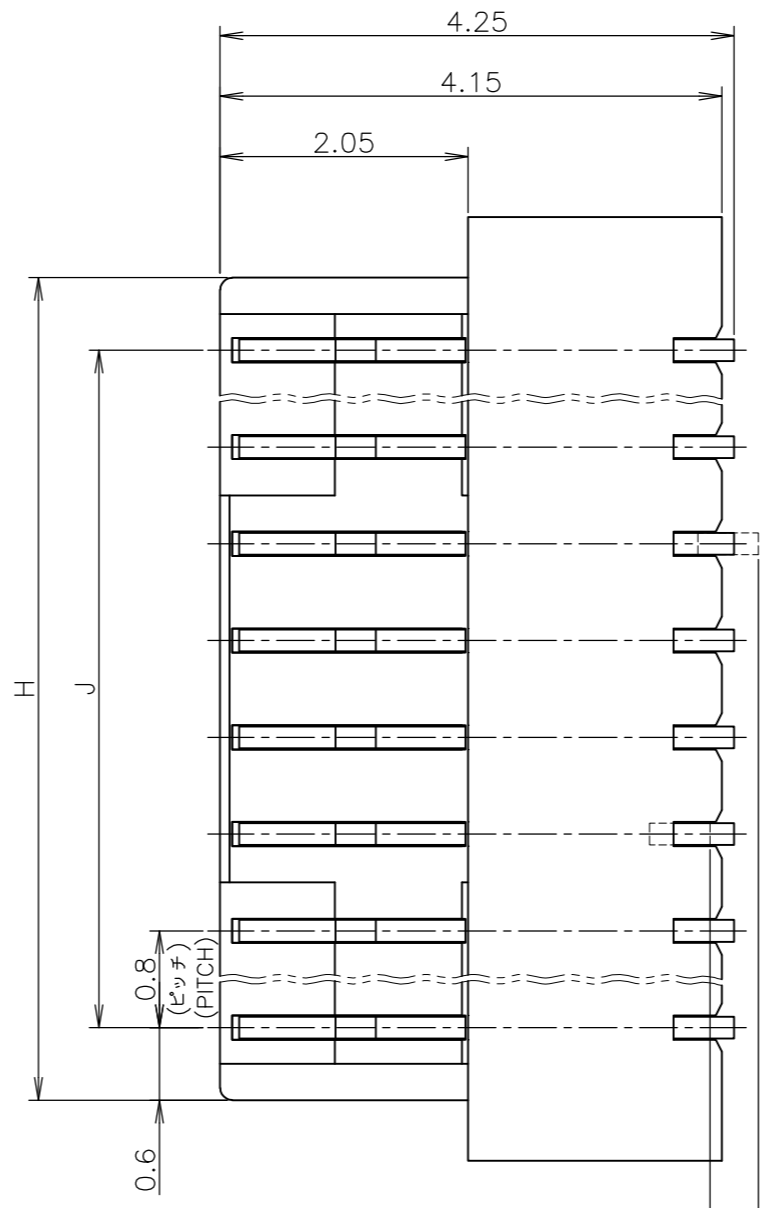
LOC		DIST		REVISIONS				
J				変更	DESCRIPTION	DATE	DWN	APVD
					SEE SHEET 1			



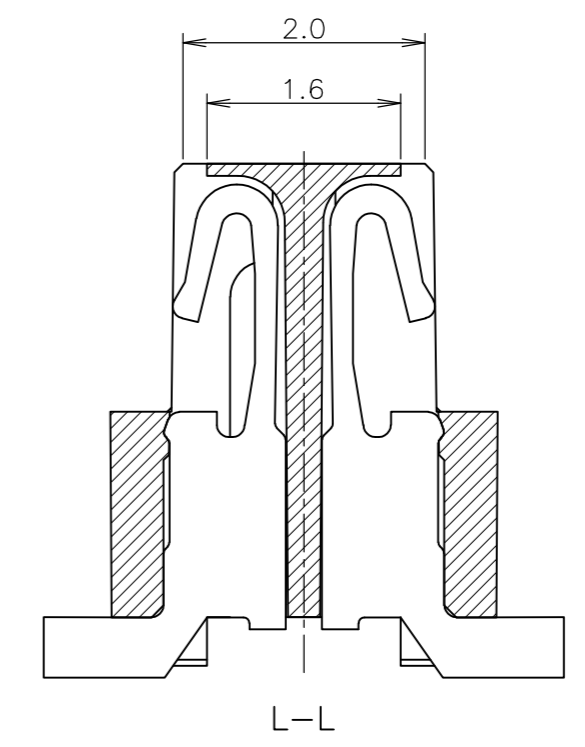
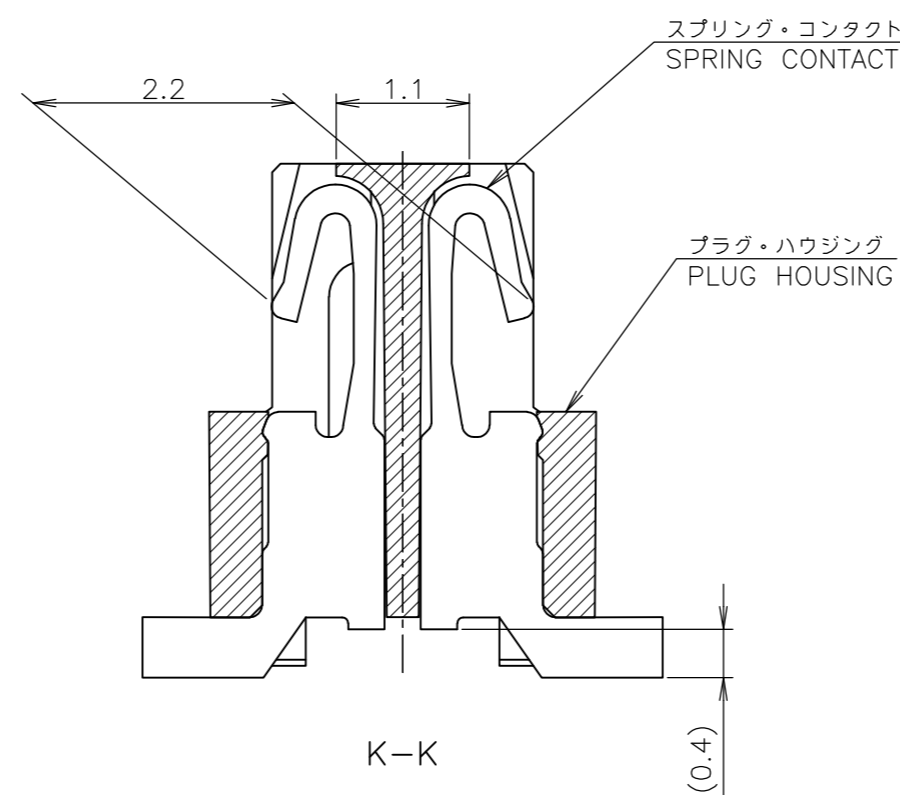
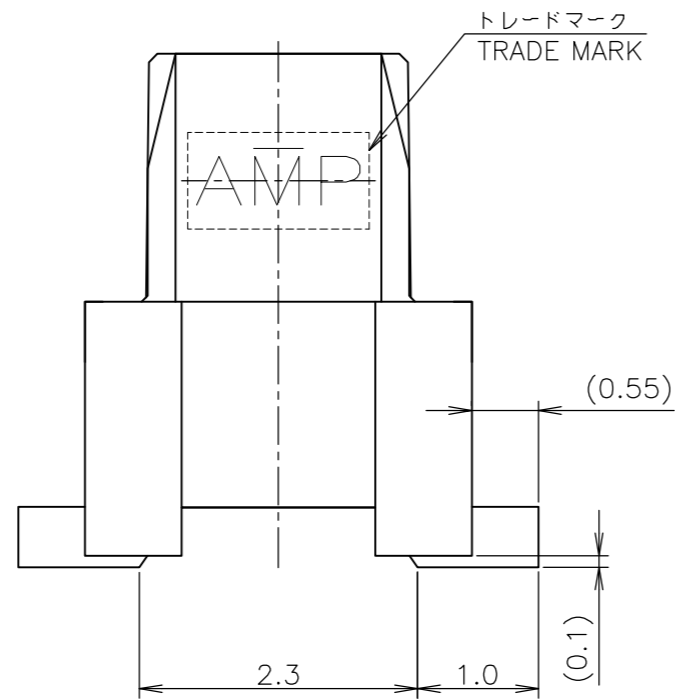
14, 18, 30 極 (n: 奇数)
 14, 18, 30 POS (n: ODD NUMBER)



16, 20, 48 極 (n: 偶数)
 16, 20, 48-POS (n: EVEN NUMBER)



参考基板加工寸法
 REFERENCE P.C. BOARD LAYOUT



3 材料: ハウジング - 6T NYLON (高耐熱性ナイロン) ガラス30%
 色: 乳白色
 コントクト - 焼青銅 / デュラゴールドめっき、ニッケル下地めっき
 4 嵌合相手製品型番: 179209 (キャップ・アッセンブリ 垂直型 ボス付)
 316738 (キャップ・アッセンブリ 水平型)

3 MATERIAL: HOUSING - 6T NYLON (HIGH HEAT-RESISTED NYLON) GF30%
 COLOR: MILK WHITE
 CONTACT - ALL DURAGOLD PLT OVER
 ALL NICKEL PLT / PHOS-BROZ.
 4 MATING COUNTER PART NUMBER: 179209 (CAP ASSY V-TYPE WITH BOSS)
 316738 (CAP ASSY H-TYPE)

0.433	18.4	19.6	20.6	24	48
0.277	11.2	12.4	13.4	15	30
0.190	7.2	8.4	9.4	10	20
0.172	6.4	7.6	8.6	9	18
0.155	5.6	6.8	7.8	8	16
0.137	4.8	6.0	7.0	7	14
重量(g) WEIGHT	J	H	G	n	極数 POS

THIS DRAWING IS A CONTROLLED DOCUMENT.

DIMENSIONS: 単位: 純 mm	TOLERANCES UNLESS OTHERWISE SPECIFIED: 一般公差	DWN	CHK	APVD	PRODUCT SPEC 製品規格	APPLICATION SPEC 取付適用規格	WEIGHT	CUSTOMER DRAWING
0 PLC ± 0.25 1 PLC ± 0.25 2 PLC ± 0.25 3 PLC ± 0.25 4 PLC ± 0.25 ANGLES ± 3°	FINISH 仕上	SEE NOTE 3 注3 参照	SEE NOTE 3 注3 参照	SCALE 16:1	SHEET 2 of 2	REV G	RESTRICTED TO	

Tyco Electronics AMP K.K.
 Kawasaki, Japan

ON TAPING EMBOSS PLUG ASSEMBLY WITHOUT BOSS
 0.8mm PITCH BOARD TO BOARD CONN Au PLATED

SIZE A2 CAGE CODE 00779 DRAWING NO. 179208