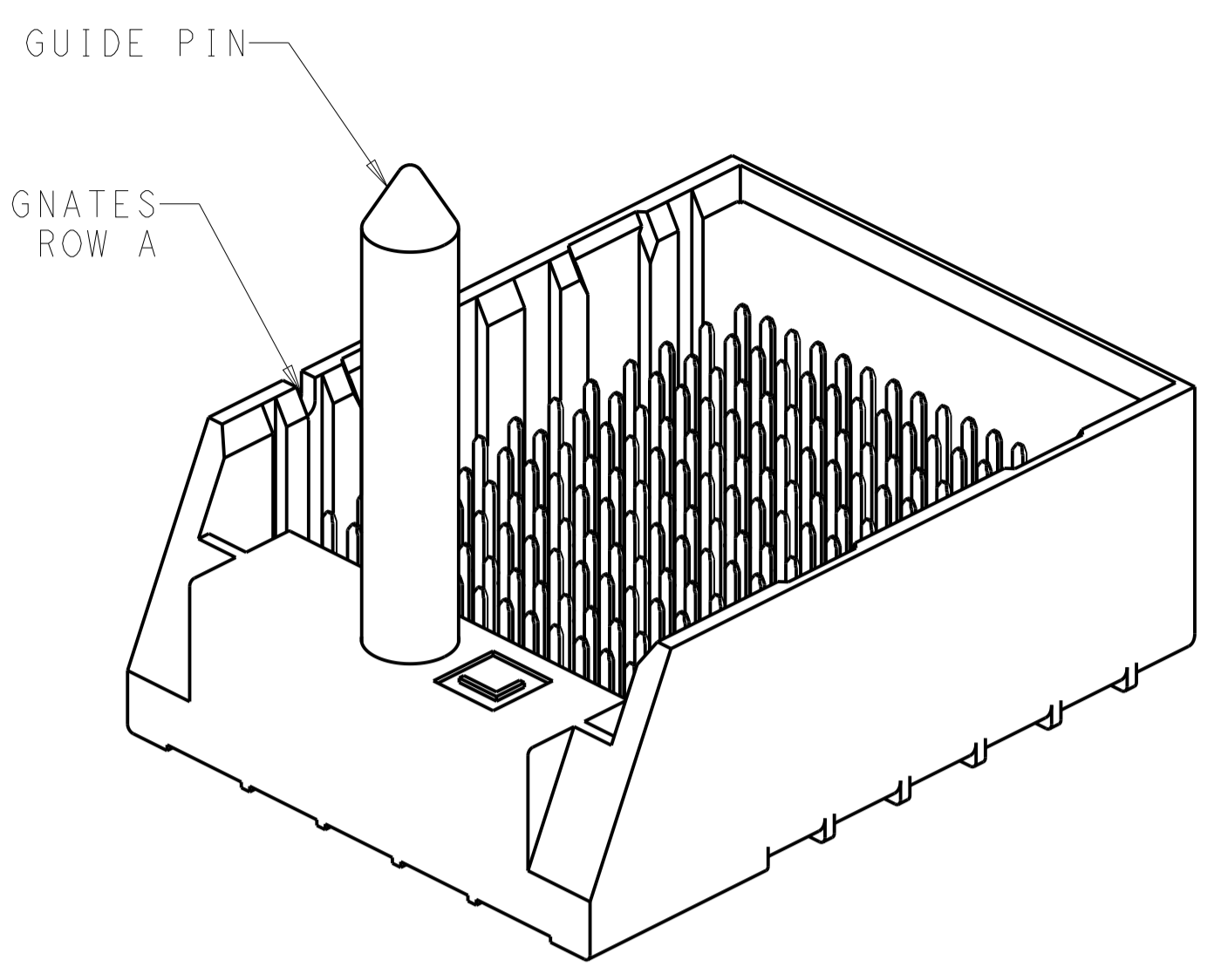
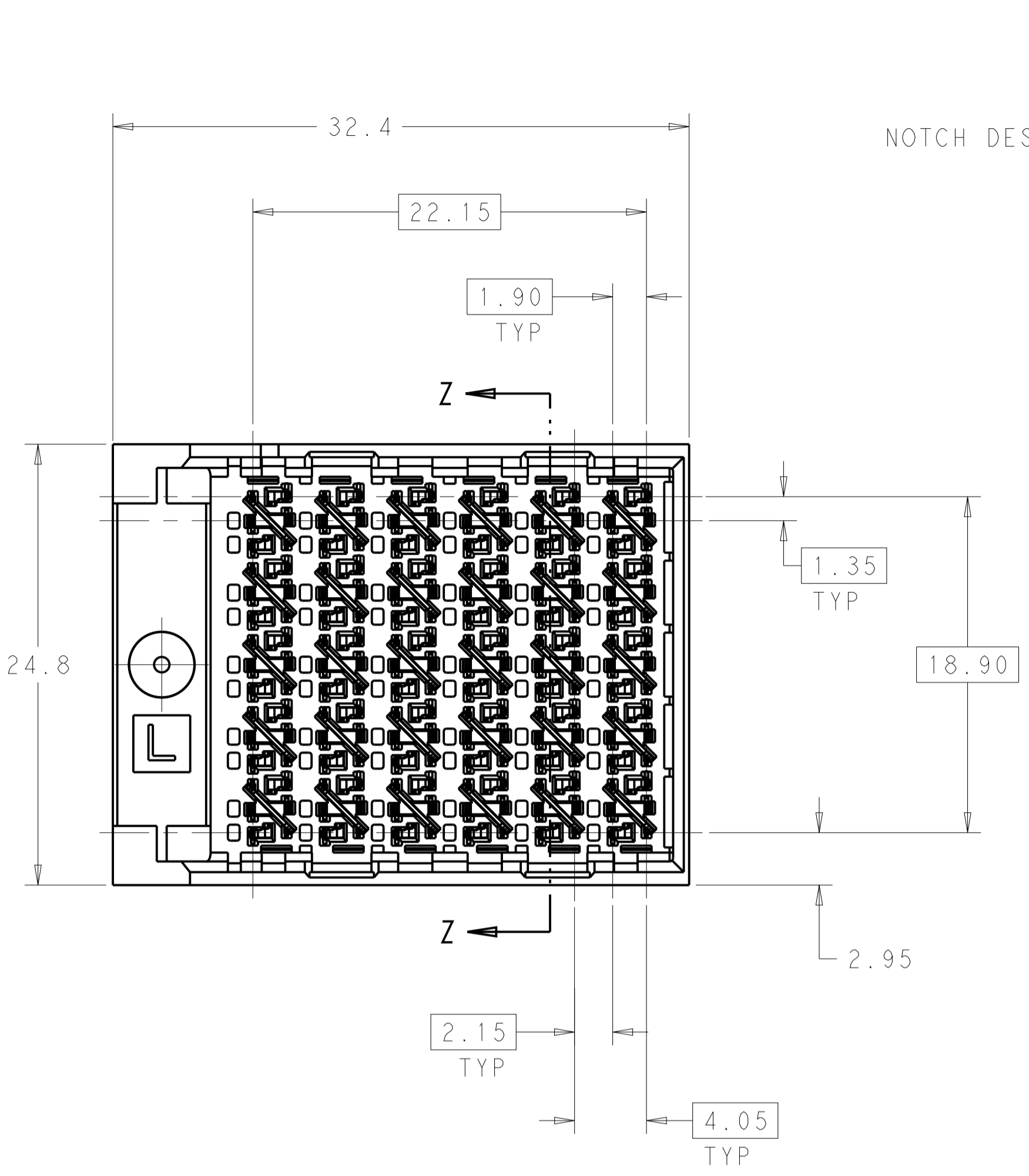


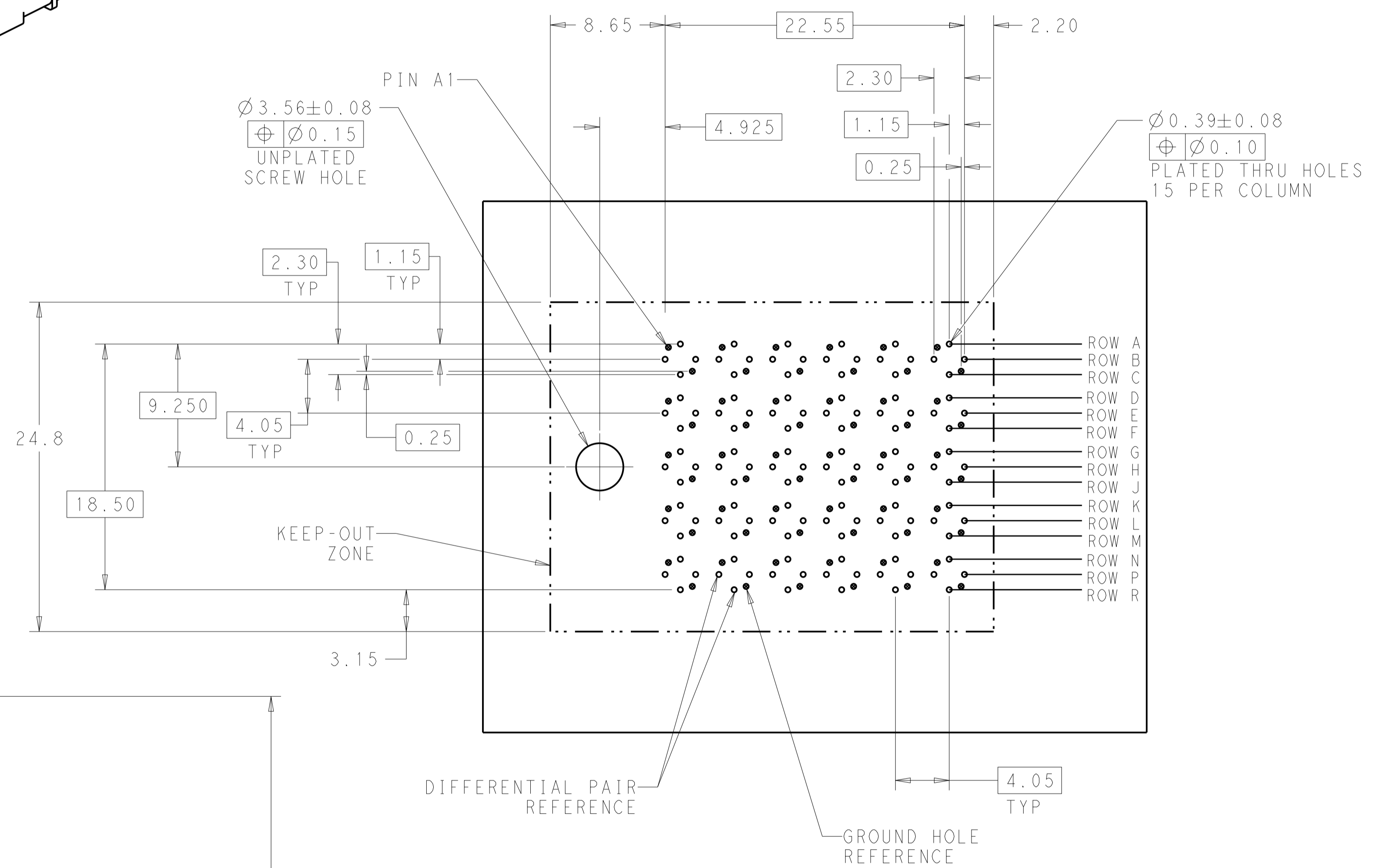
REVISIONS				
P.	LTN.	DESCRIPTION	DATE	OWN APVD
B		REVISED PER ECO-14-013272	09SEP2014	AP DD



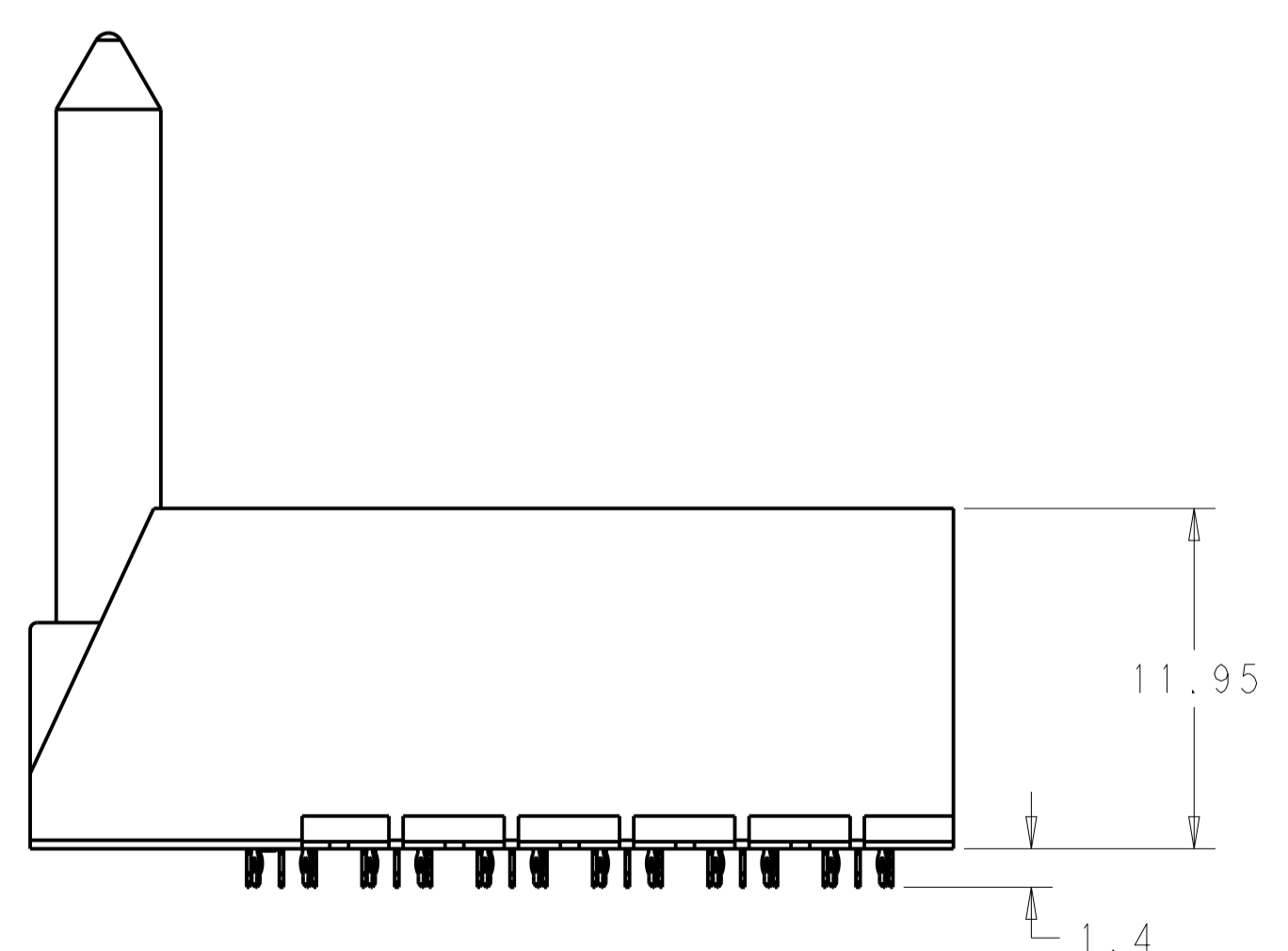
△ MATERIAL:  
HOUSING: LCP GLASS FILLED UL94V-0  
TERMINALS: HIGH PERFORMANCE COPPER ALLOY

△ FINISH:  
30μ" MIN GOLD IN CONTACT AREA  
SELECTIVE TIN ON PCB TAILS.  
NICKEL OVERALL.

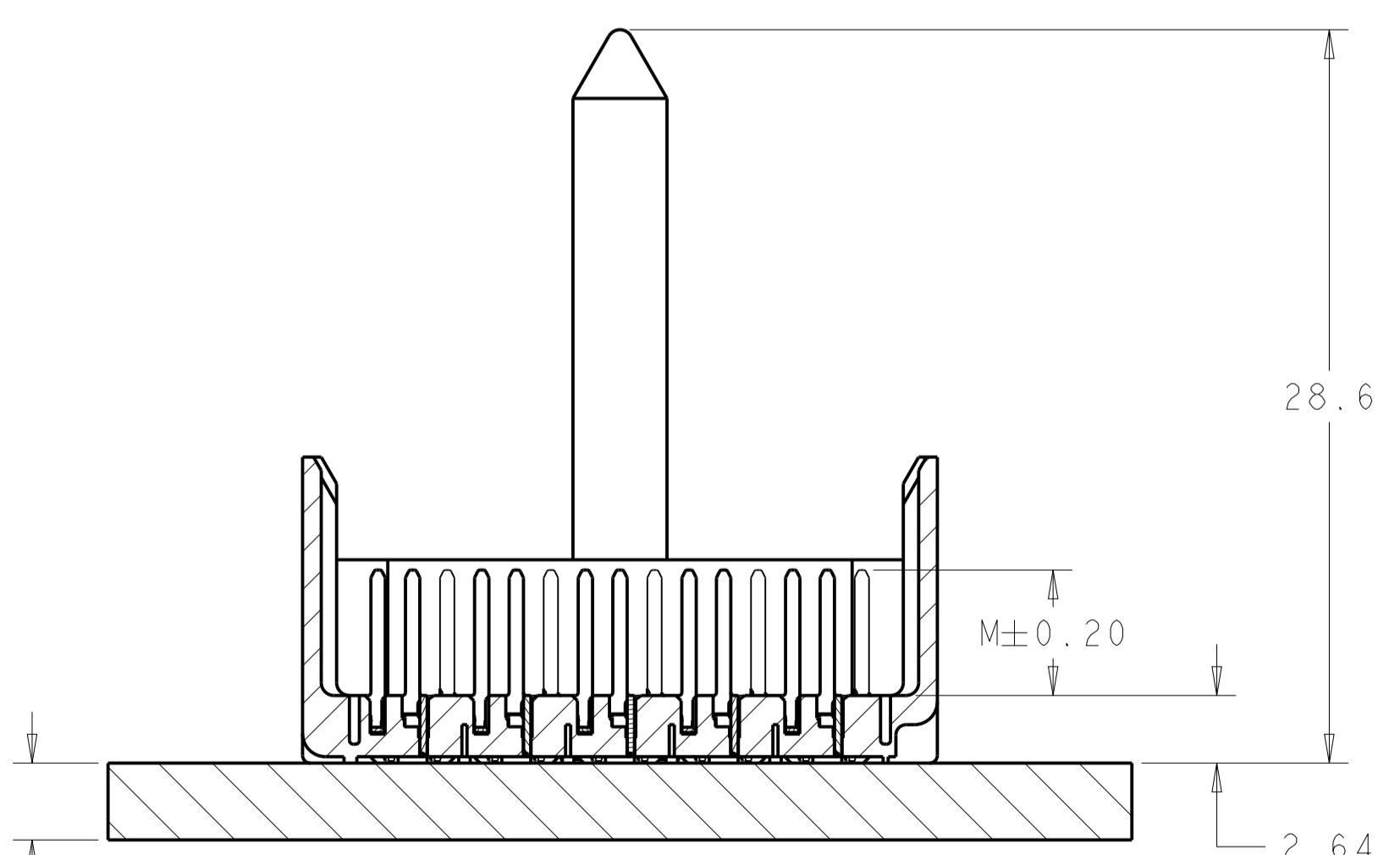
3. SCREWS PACKAGED IN THE END OF PACKAGING TUBE.



LEFT GUIDED BACKPLANE HOLE PATTERN (CONNECTOR SIDE) SCALE 4:1



3.00 MIN BOARD THICKNESS



SECTION Z-Z

2	5.5	2143570-2
2	4.9	2143570-1
FINISH	DIM M	PART NUMBER

THIS DRAWING IS A CONTROLLED DOCUMENT.

DIMENSIONS:	TOLERANCES UNLESS OTHERWISE SPECIFIED:	OWN J. K. SHOBER 18AUG2010	CHK J. EARY 18AUG2010	APVD J. EARY 18AUG2010	NAME
mm	0 PLC ±0.25 2 PLC ±0.13 3 PLC ±0.13 4 PLC ±0.13 ANGLES ±0	PRODUCT SPEC	APPLICATION SPEC	SIZE	IMPACT, 5 PAIR, 12 COLUMN, LEFT GUIDED RIGHT END WALL ASSEMBLY, ORTHOGONAL, 0.39 PTH
MATERIAL	SEE TABLE	WEIGHT	CUSTOMER DRAWING	SCALE	A100779C=2143570
				SHEET	1 OF 1
				REV	B

4805 (3/13)