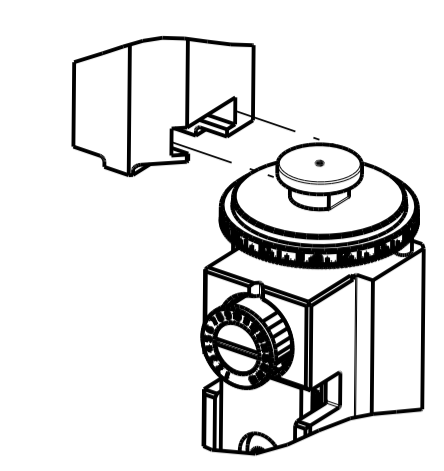


| PART NUMBER | REVISION | DESCRIPTION                      | FEED TYPE  |
|-------------|----------|----------------------------------|------------|
| 2151666-1   | D        | FINE CRIMP HEIGHT ADJUST         | MECHANICAL |
| 2151666-2   | E        | FINE CRIMP HEIGHT ADJUST         | PNEUMATIC  |
| 7-2151666-1 | D        | MECHANICAL AND CRIMP TOOLING KIT | MECHANICAL |
| 7-2151666-2 | E        | PNEUMATIC AND CRIMP TOOLING KIT  | PNEUMATIC  |
| 7-2151666-7 | A        | CRIMP TOOLING KIT                | -          |

ATLANTIC VERSION TERMINATOR INTERFACE ADAPTER



| APPLICATOR DATA |                |      |
|-----------------|----------------|------|
| CRIMP           | SIZE           | TYPE |
| WIRE            | 1.57 mm [.062] | F    |
| INSUL           | 1.83 mm [.072] | BX   |

APPLICATOR INSTRUCTIONS 408-35042

| TERMINAL DATA: TE TERMINAL                 |              | TE CRIMP SPECIFICATION       |             |
|--|--------------|------------------------------|-------------|
| TERMINAL NAME: GET FEMALE 1.2MM, 0.2 STOCK |              |                              |             |
| WIRE STRIP LENGTH                          |              | INSULATION DIAMETER RANGE    |             |
| 3.30-3.70 mm [.130-.146 IN]                |              | Ø1.40-1.90 mm [.055-.075 IN] |             |
| TERMINAL APPLICATION SPECIFICATION         | (A)114-18774 |                              |             |
| TERMINALS APPLIED                          |              |                              |             |
| TE TERMINAL                                | TE TERMINAL  | TE TERMINAL                  | TE TERMINAL |
| (A) 1719958-1                              |              |                              |             |

| TERMINAL DATA: TE TERMINAL                           |               | TE CRIMP SPECIFICATION       |             |
|--|---------------|------------------------------|-------------|
| TERMINAL NAME: GET FEMALE 1.2MM, THIN, 18 AND 20 AWG |               |                              |             |
| WIRE STRIP LENGTH                                    |               | INSULATION DIAMETER RANGE    |             |
| 3.30-3.70 mm [.130-.146 IN]                          |               | Ø1.40-1.90 mm [.055-.075 IN] |             |
| TERMINAL APPLICATION SPECIFICATION                   | (B)114-13236  |                              |             |
| TERMINALS APPLIED                                    |               |                              |             |
| TE TERMINAL  | TE TERMINAL   | TE TERMINAL                  | TE TERMINAL |
| (B) 1924879-1  | (B) 1924879-2 |                              |             |

| WIRE SIZE | CRIMP HEIGHT mm [INCH]     | CRIMP HEIGHT REFERENCE SETTING |
|-----------|----------------------------|--------------------------------|
| 0.75mm2   | 1.02+/-0.03 [.040+/- .001] | 7.4                            |
| 18 AWG    | 1.01+/-0.03 [.040+/- .001] | 7.5                            |
| 20 AWG    | 0.89+/-0.03 [.035+/- .001] | 8.8                            |
| 0.50mm2   | 0.89+/-0.03 [.035+/- .001] | 8.8                            |

| WIRE SIZE | CRIMP HEIGHT mm [INCH]     | CRIMP HEIGHT REFERENCE SETTING |
|-----------|----------------------------|--------------------------------|
| 0.75mm2   | 1.02+/-0.03 [.040+/- .001] | 7.6                            |
| 18 AWG    | 1.01+/-0.03 [.040+/- .001] | 7.6                            |
| 20 AWG    | 0.89+/-0.03 [.035+/- .001] | 8.8                            |
| 0.50mm2   | 0.89+/-0.03 [.035+/- .001] | 8.8                            |

- 1 RECOMMENDED SPARE PARTS
- 2 REFER TO SUPPLIED INSTRUCTION SHEET FOR CLEANING, LUBRICATION AND STORAGE OF APPLICATOR.
- 3 APPLY PART NUMBER 2-23419-6 LOCTITE TO THREADS OF ITEM 242.
- 4 CRIMP HEIGHT REFERENCE SETTING WAS THE SETTING USED WHEN THE APPLICATOR WAS QUALIFIED AT THE FACTORY. ADJUSTMENT MAY BE NECESSARY WHEN RUNNING APPLICATOR IN THE FIELD.
- 5. UNLESS SPECIFIED OTHERWISE TORQUE VALUES SHALL BE USED PER DOCUMENT, 101-35000.
- 6 INSULATION CRIMP HEIGHT NOT TO EXCEED 2.10mm FOR ALL WIRE SIZES. WIDTH OF TERMINAL, ALONG ITS ENTIRE LENGTH, MUST NOT EXCEED 2.05mm.

\*WARNING  
ON INSTALLATION, SET WIRE DISC TO CRIMP HEIGHT REFERENCE SETTING FOR LARGEST WIRE SIZE. CRIMP HEIGHT REFERENCE SETTINGS GREATER THAN THE VALUE SHOWN MAY CAUSE DAMAGE TO THE CRIMP TOOLING, REFER TO THE INSTRUCTION SHEET FOR PROPER SETUP AND ADJUSTMENTS.

ATLANTIC VERSION  
Shown on sheets 1 of 4 & 2 of 4  
(Pacific version shown on sheets 3 of 4 & 4 of 4)

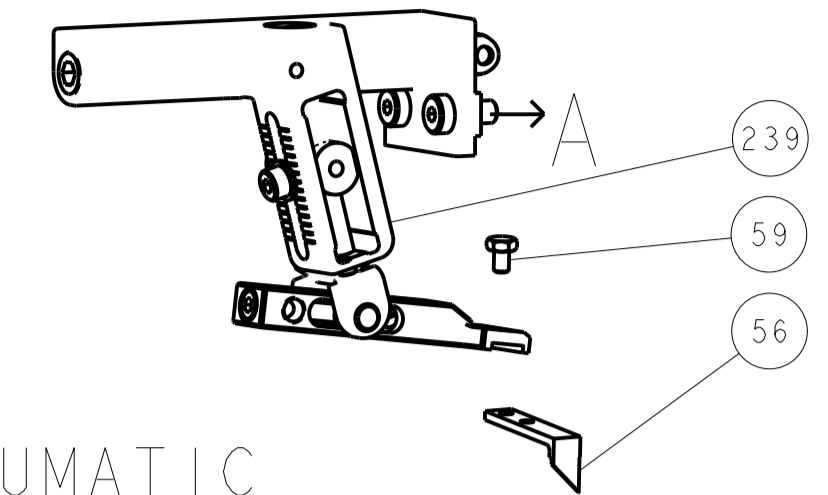
| LOC | DIST | REV | DATE      | BY | APPV |
|-----|------|-----|-----------|----|------|
| A   | 66   | C   | 23AUG2018 | KH | TE   |
|     |      | D   | 20NOV2018 | TB | TE   |
|     |      | E   | 18JUL2019 | MZ | YY   |
|     |      | E1  | 07JUN2021 | LJ | YY   |

| REV | DATE | BY  | APPV | DESCRIPTION | ITEM NO                             |             |
|-----|------|-----|------|-------------|-------------------------------------|-------------|
| -   | 1    | -   | 1    | 2119641-1   | FEED CAM, AIR FEED                  | 248         |
| -   | 1    | 1   | 1    | 2119082-8   | CAM, SNAIL, INSULATION ADJUSTMENT   | 244         |
| -   | 1    | 1   | 1    | 2079764-1   | WASHER, WAVE SPRING, CREST-TO-CREST | 243         |
| -   | 1    | 1   | 1    | 2119083-1   | RETAINER, INSULATION DIAL           | 242         |
| -   | 1    | 1   | 1    | 7-18023-7   | SCR, SKT HD CAP M3 X 4.0            | 241         |
| -   | -    | 1   | -    | 2119580-1   | MECHANICAL FEED ASSEMBLY            | 239         |
| -   | 1    | -   | 1    | 2844940-1   | AIR FEED MODULE                     | 238         |
| -   | REF  | REF | REF  | 994970-2    | COUNTER, MAGNETIC                   | 164         |
| -   | 1    | 1   | 1    | 1-22281-8   | SPRING, COMPRESSION                 | 121         |
| -   | 1    | 1   | 1    | 2844908-1   | SCREW, LOCKING                      | 99          |
| -   | 1    | 1   | 1    | 2844907-1   | POST, LOCKING                       | 98          |
| -   | 1    | 1   | 1    | 2168083-6   | SCR, SKT HD CAP, RoHS, M5 X 65      | 93          |
| -   | 1    | 1   | 1    | 455888-4    | SPACER, CRIMPER                     | 82          |
| -   | 1    | 1   | 1    | 1803607-3   | DOCUMENTATION PACKAGE               | 71          |
| -   | 1    | 1   | 1    | 2119791-5   | DEPRESSOR, WIRE                     | 70          |
| -   | 1    | 1   | 1    | 2119943-1   | WASHER, SPACER                      | 69          |
| -   | 1    | 1   | 1    | 1-690438-0  | FRONT STRIP GUIDE                   | 68          |
| -   | 1    | 1   | 1    | 2119740-1   | TAG, IDENTIFICATION                 | 67          |
| -   | 2    | 2   | 2    | 2168078-1   | SCREW, DRIVE, RH, RoHS, 2 x .188    | 66          |
| -   | 2    | 2   | 2    | 2168083-1   | SCR, SKT HD CAP, RoHS, M3 X 8.0     | 65          |
| -   | 2    | 2   | 2    | 2-18032-5   | SCR, SET, FLT PNT, M5 X 20.0        | 61          |
| -   | 1    | 1   | 1    | 2168083-2   | SCR, SKT HD CAP, RoHS, M4 X 8.0     | 60          |
| -   | 1    | 1   | 1    | 5-18022-5   | SCR, HEX HD CAP, M4 X 6.0           | 59          |
| -   | 1    | 1   | 1    | 1338685-1   | PAWL, FEED                          | 56          |
| -   | 4    | 4   | 4    | 2168083-3   | SCR, SKT HD CAP, RoHS, M4 X 12.0    | 54          |
| -   | 2    | 2   | 2    | 1-2168083-0 | SCR, SKT HD CAP, RoHS, M4 X 10      | 53          |
| -   | 1    | 1   | 1    | 1803382-6   | HOLD DOWN, SPRING LOADED            | 50          |
| -   | 1    | 2   | 1    | 18023-9     | SCR, SKT HD CAP M4 X 6.0            | 49          |
| -   | -    | 1   | -    | 2119652-1   | FEED CAM, PRE FEED                  | 48          |
| -   | -    | 1   | -    | 2119653-1   | FEED CAM, POST FEED                 | 47          |
| -   | 1    | 1   | 1    | 1803583-9   | APPLICATOR BASIC ASSEMBLY, SF       | 46          |
| -   | 1    | 1   | 1    | 1803515-1   | RAM ASSEMBLY, SF ATLANTIC           | 44          |
| -   | 1    | 1   | 1    | 1803602-1   | SCR, BHSC, RoHS (M8 X 25)           | 41          |
| -   | 1    | 1   | 1    | 3-1752356-3 | SUPPORT, TERMINAL                   | 34          |
| -   | 2    | 2   | 2    | 2079383-5   | SCR, BHSC, RoHS (M4 X 20)           | 33          |
| -   | 2    | 2   | 2    | 2-2844962-4 | SPACER, CYLINDRICAL, STRIP GUIDE    | 30          |
| -   | 1    | 1   | 1    | 2844938-5   | PLATE, STRIP GUIDE                  | 29          |
| -   | 1    | 1   | 1    | 1-455888-0  | SPACER, CRIMPER                     | 28          |
| -   | 2    | 2   | 2    | 22283-1     | SPRING, COMPRESSION                 | 27          |
| -   | 1    | 1   | 1    | 356835-1    | LEVER, DRAG RELEASE                 | 26          |
| -   | 1    | 1   | 1    | 240792-1    | DRAG, TERMINAL                      | 25          |
| -   | 1    | 1   | 1    | 1320928-2   | STRIP GUIDE                         | 24          |
| -   | 1    | 1   | 1    | 980371-4    | SCR, SKT HD SHLDR 5.0 DIA X 6.0     | 23          |
| -   | 1    | 1   | 1    | 2168083-2   | SCR, SKT HD CAP, RoHS, M4 X 8.0     | 21          |
| -   | 2    | 2   | 2    | 1-18028-2   | WASHER, FLAT, REG M4                | 20          |
| -   | 1    | 1   | 1    | 2119533-1   | STRIPPER, SIDE FEED                 | 19          |
| -   | 1    | 1   | 1    | 2119806-1   | INSERT, SHEAR                       | 13          |
| -   | 1    | 1   | 1    | 3-22280-3   | SPRING, COMPRESSION                 | 12          |
| -   | 1    | 1   | 1    | 1-356885-4  | STOP, SHEAR                         | 11          |
| -   | 1    | 1   | 1    | 2119805-1   | SHEAR HOLDER, FRONT                 | 10          |
| -   | 1    | 1   | 1    | 318707-9    | FLOATING SHEAR, FRONT               | 9           |
| -   | 1    | 2   | 2    | 1333231-6   | ANVIL, COMBINATION, SPECIAL         | 8           |
| -   | -    | -   | -    | -           | -                                   | 7           |
| -   | -    | -   | -    | -           | -                                   | 6           |
| -   | 1    | 1   | 1    | 2119757-7   | DEPRESSOR, SHEAR                    | 5           |
| -   | 1    | 1   | 1    | 4-238011-2  | BLOCK, CRIMPER SPACER               | 4           |
| -   | 1    | 2   | 2    | 1633989-7   | CRIMPER, INSULATION, SPECIAL        | 3           |
| -   | -    | -   | -    | -           | -                                   | 2           |
| -   | 1    | 2   | 2    | 2-456403-6  | CRIMPER, WIRE PREMIUM               | 1           |
| -   | 77   | 72  | 71   | -2          | -1                                  | PART NO     |
| -   | -    | -   | -    | -           | -                                   | DESCRIPTION |
| -   | -    | -   | -    | -           | -                                   | ITEM NO     |

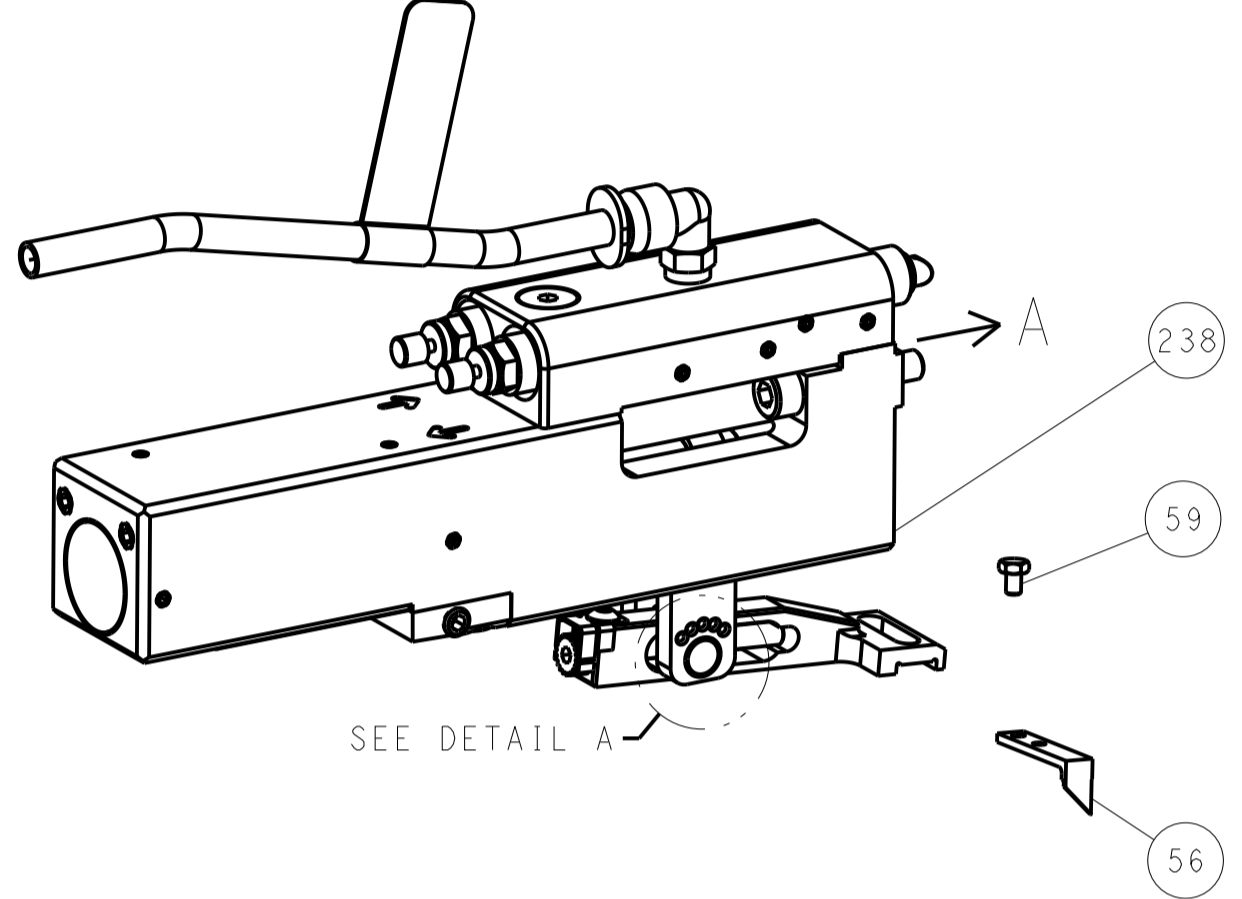
|  |           |  |            |                       |                 |
|--|-----------|--|------------|-----------------------|-----------------|
| DIMENSIONS: mm                         |           | TOLERANCES UNLESS OTHERWISE SPECIFIED: |            | OWN: H. HUANG         | DATE: 10MAY2012 |
| 0 PLC                                  | ±         | 1 PLC                                  | ±          | CHK: S. XI            | DATE: 10MAY2012 |
| 1 PLC                                  | ±         | 2 PLC                                  | ±          | APV: S. XI            | DATE: 10MAY2012 |
| 3 PLC                                  | ±         | 3 ANGLE                                | ±          | NAME: Ocean Side Feed | DATE: 10MAY2012 |
| 4 PLC                                  | ±         | 4 ANGLE                                | ±          | PRODUCT SPEC: -       | DATE: 10MAY2012 |
| MATERIAL: -                            | FINISH: - | WEIGHT: -                              | SCALE: 1:2 | APPLICATOR SPEC: -    | DATE: 10MAY2012 |
| Customer Accessible Production Drawing |           | SCALE: 1:2                             |            | SHEET 1 OF 4          |                 |

| LOC |    | DIST |     | REVISIONS   |      |     |      |
|-----|----|------|-----|-------------|------|-----|------|
| A   | 66 | P    | LTM | DESCRIPTION | DATE | OWN | APVD |
|     |    | -    |     | SEE SHEET 1 |      |     |      |

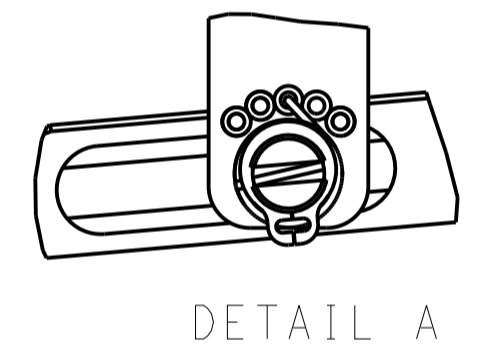
# FEED TYPE MECHANICAL



## PNEUMATIC

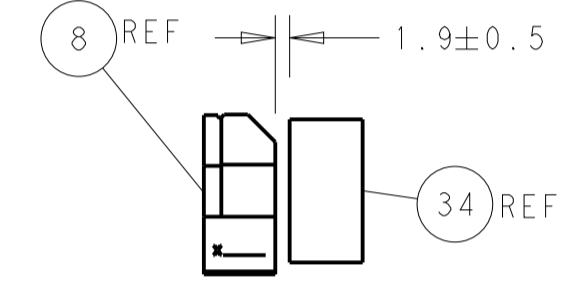
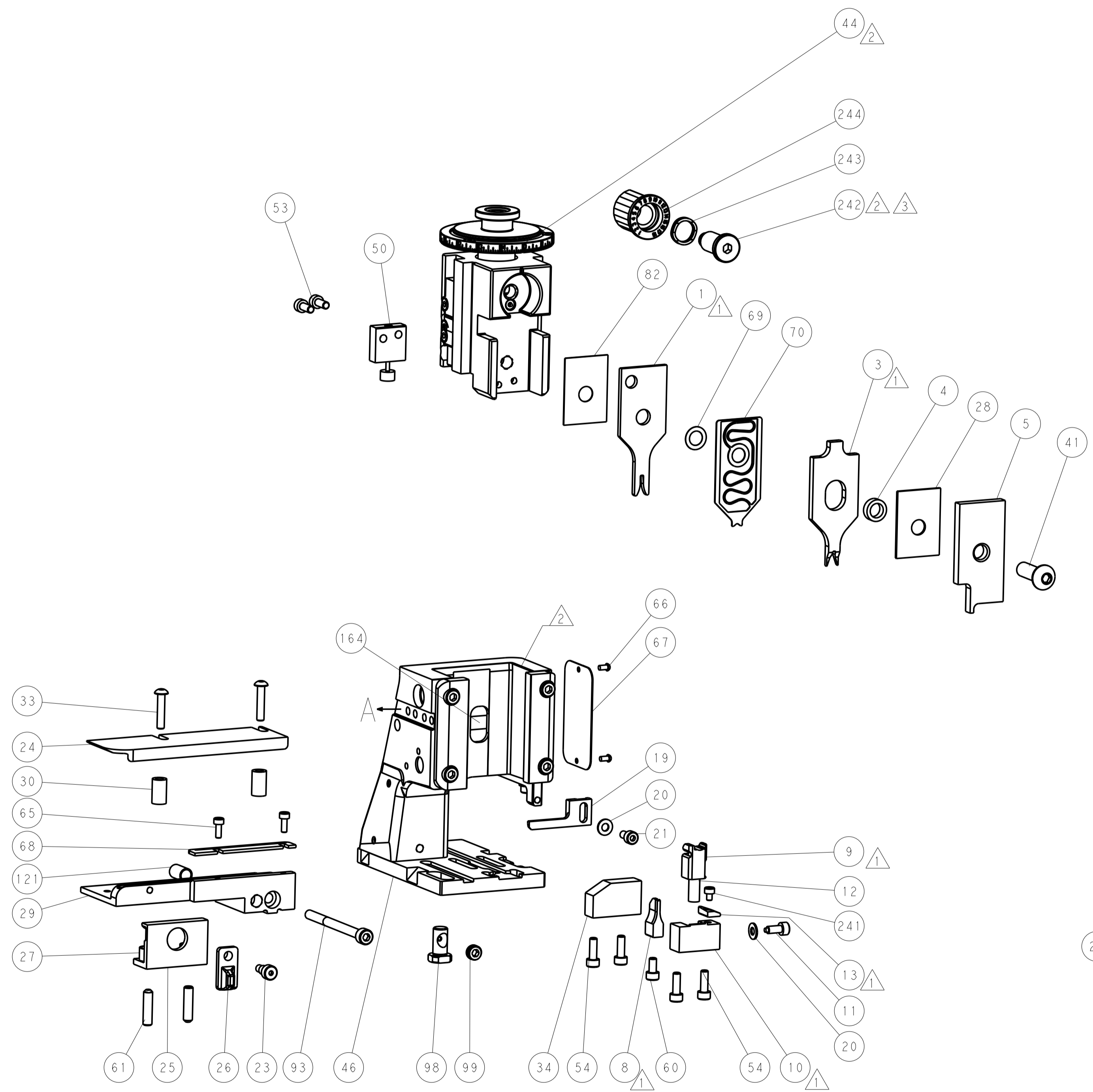
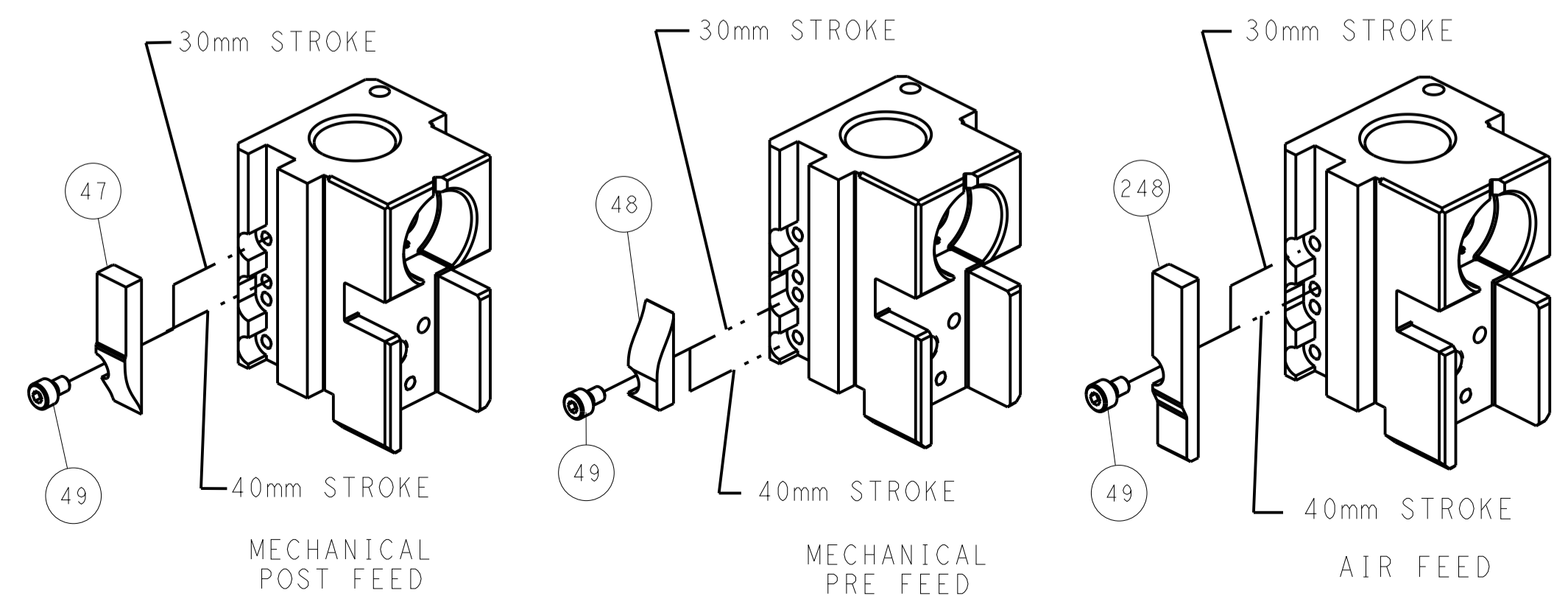


### FEED SPRING SETTING POSITION (SHOWN FROM REAR SIDE)

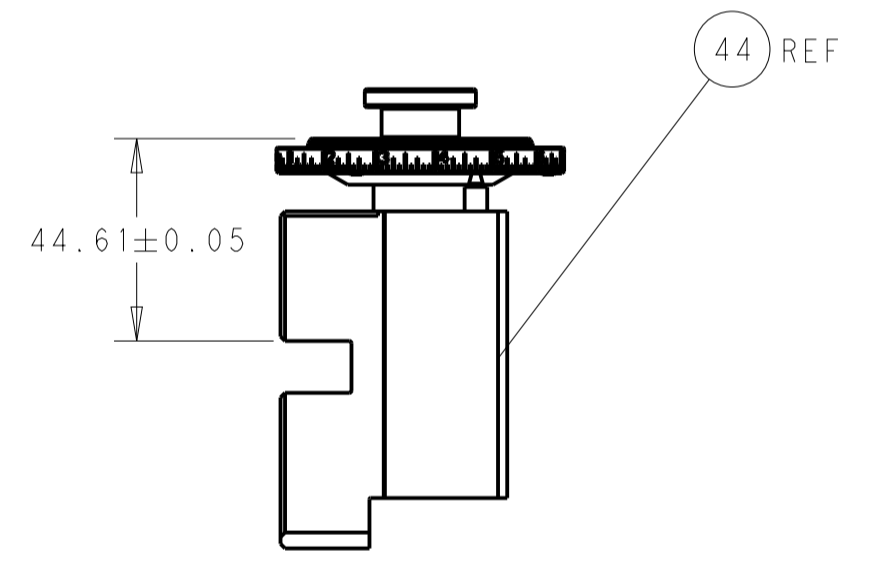


DETAIL A

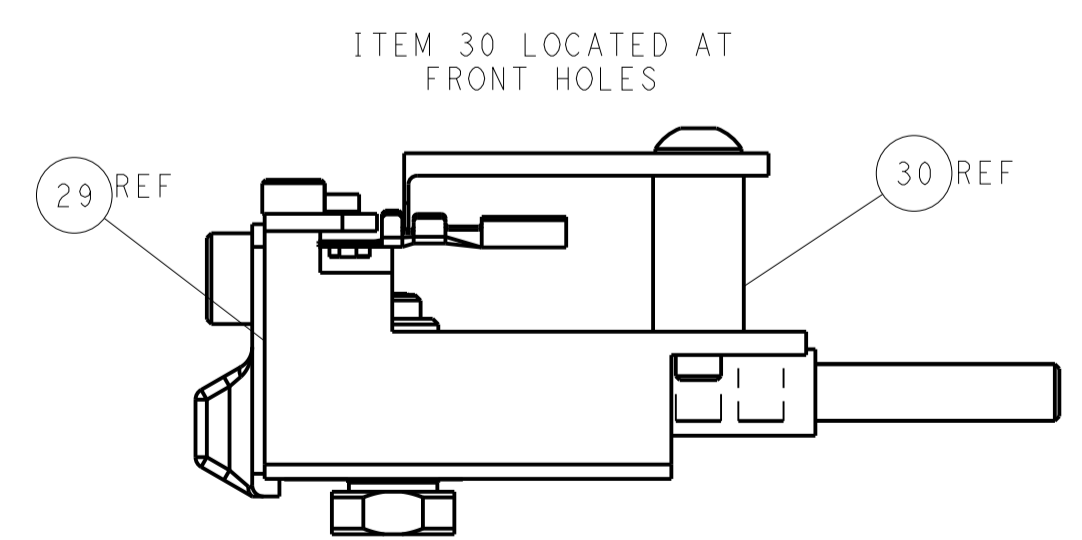
# CAM POSITIONS



TERMINAL SUPPORT LOCATION



RAM SET-UP



FEED TRACK POSITION GUIDE BY INSULATION BARREL

**ATLANTIC VERSION**  
 Shown on sheets 1 of 4 & 2 of 4  
 (Pacific version shown on sheets 3 of 4 & 4 of 4)

|             |         |  |  |                         |              |   |  |
|-------------|---------|--|--|-------------------------|--------------|---|--|
| DIMENSIONS: |         | TOLERANCES UNLESS OTHERWISE SPECIFIED: |  | DWN: H. HUANG 10MAY2012 |              | TE Connectivity                                 |  |
| mm          | 0 PLC   | ±                                      |  | CHK: -                  | 10MAY2012    | Harrisburg, PA 17105-3608                       |  |
|             | 1 PLC   | ±                                      |  | APVD: S. XI             | 10MAY2012    | NAME: Ocean Side Feed Applicator                |  |
|             | 2 PLC   | ±                                      |  | PRODUCT SPEC            |              | RESTRICTED TO                                   |  |
|             | 3 PLC   | ±                                      |  | APPLICATION SPEC        |              | SIZE: CAGE CODE: DRAWING NO: A1100779 ©=2151666 |  |
|             | 4 PLC   | ±                                      |  | WEIGHT                  |              | Customer Accessible Production Drawing          |  |
| MATERIAL:   | FINISH: |  |  | SCALE: 1:2              | SHEET 2 OF 4 | REV: E1   |  |

| PART NUMBER | REVISION | DESCRIPTION              | FEED TYPE  |
|-------------|----------|--------------------------|------------|
| 2-2151666-1 | D        | FINE CRIMP HEIGHT ADJUST | MECHANICAL |
| 2-2151666-2 | E        | FINE CRIMP HEIGHT ADJUST | PNEUMATIC  |
| 7-2151666-7 | A        | CRIMP TOOLING KIT        | -          |

PACIFIC VERSION TERMINATOR  
INTERFACE ADAPTER



| APPLICATOR DATA |                |      |
|-----------------|----------------|------|
| CRIMP           | SIZE           | TYPE |
| WIRE            | 1.57 mm [.062] | F    |
| INSUL           | 1.83 mm [.072] | BX   |

APPLICATOR INSTRUCTIONS  
408-35042

| TERMINAL DATA: TE TERMINAL                 |              | TE CRIMP SPECIFICATION       |             |
|--|--------------|------------------------------|-------------|
| TERMINAL NAME: GET FEMALE 1.2MM, 0.2 STOCK |              |                              |             |
| WIRE STRIP LENGTH                          |              | INSULATION DIAMETER RANGE    |             |
| 3.30-3.70 mm [1.130-.146 IN]               |              | Ø1.40-1.90 mm [.055-.075 IN] |             |
| TERMINAL APPLICATION SPECIFICATION         | (A)114-18774 | -                            | -           |
| TERMINALS APPLIED                          |              |                              |             |
| TE TERMINAL                                | TE TERMINAL  | TE TERMINAL                  | TE TERMINAL |
| (A) 1719958-1                              |              |                              |             |

| TERMINAL DATA: TE TERMINAL                           |               | TE CRIMP SPECIFICATION       |             |
|--|---------------|------------------------------|-------------|
| TERMINAL NAME: GET FEMALE 1.2MM, THIN, 18 AND 20 AWG |               |                              |             |
| WIRE STRIP LENGTH                                    |               | INSULATION DIAMETER RANGE    |             |
| 3.30-3.70 mm [1.130-.146 IN]                         |               | Ø1.40-1.90 mm [.055-.075 IN] |             |
| TERMINAL APPLICATION SPECIFICATION                   | (B)114-13236  | -                            | -           |
| TERMINALS APPLIED                                    |               |                              |             |
| TE TERMINAL  | TE TERMINAL   | TE TERMINAL                  | TE TERMINAL |
| (B) 1924879-1  | (B) 1924879-2 |                              |             |

| WIRE SIZE | CRIMP HEIGHT mm [INCH]     | CRIMP HEIGHT REFERENCE SETTING |
|-----------|----------------------------|--------------------------------|
| 0.75mm2   | 1.02+/-0.03 [.040+/- .001] | 7.4                            |
| 18 AWG    | 1.01+/-0.03 [.040+/- .001] | 7.5                            |
| 20 AWG    | 0.89+/-0.03 [.035+/- .001] | 8.8                            |
| 0.50mm2   | 0.89+/-0.03 [.035+/- .001] | 8.8                            |

| WIRE SIZE | CRIMP HEIGHT mm [INCH]     | CRIMP HEIGHT REFERENCE SETTING |
|-----------|----------------------------|--------------------------------|
| 0.75mm2   | 1.02+/-0.03 [.040+/- .001] | 7.6                            |
| 18 AWG    | 1.01+/-0.03 [.040+/- .001] | 7.6                            |
| 20 AWG    | 0.89+/-0.03 [.035+/- .001] | 8.8                            |
| 0.50mm2   | 0.89+/-0.03 [.035+/- .001] | 8.8                            |

- RECOMMENDED SPARE PARTS
- REFER TO SUPPLIED INSTRUCTION SHEET FOR CLEANING, LUBRICATION AND STORAGE OF APPLICATOR.
- APPLY PART NUMBER 2-23419-6 LOCTITE TO THREADS OF ITEM 242.
- CRIMP HEIGHT REFERENCE SETTING WAS THE SETTING USED WHEN THE APPLICATOR WAS QUALIFIED AT THE FACTORY. ADJUSTMENT MAY BE NECESSARY WHEN RUNNING APPLICATOR IN THE FIELD.
- 5. UNLESS SPECIFIED OTHERWISE TORQUE VALUES SHALL BE USED PER DOCUMENT, 101-35000.
- INSULATION CRIMP HEIGHT NOT TO EXCEED 2.10mm FOR ALL WIRE SIZES. WIDTH OF TERMINAL, ALONG ITS ENTIRE LENGTH, MUST NOT EXCEED 2.05mm.

| ENTRY LEVEL APPLICATOR |             | ITEM SUBSTITUTION LIST |                     |                        |
|------------------------|-------------|------------------------|---------------------|------------------------|
| PART NUMBER            | SAME AS     | ITEM                   | ITEM DESCRIPTION    | SUBSTITUTE PART NUMBER |
| 8-2151666-1            | 2151666-1   | 1                      | WIRE CRIMPER        | 2-1803547-6            |
| 8-2151666-2            | 2151666-2   | 3                      | INSULATION CRIMPER  | 1803623-7              |
| 9-2151666-1            | 2-2151666-1 | 46                     | BASIC SUB -ASSEMBLY | 1803940-9              |
| 9-2151666-2            | 2-2151666-2 | 141                    | BASIC SUB -ASSEMBLY | 1-1803940-0            |
|                        |             |                        | LUBRICATOR          | DELETE                 |

**\*WARNING**  
ON INSTALLATION, SET WIRE DISC TO CRIMP HEIGHT REFERENCE SETTING FOR LARGEST WIRE SIZE. CRIMP HEIGHT REFERENCE SETTINGS GREATER THAN THE VALUE SHOWN MAY CAUSE DAMAGE TO THE CRIMP TOOLING, REFER TO THE INSTRUCTION SHEET FOR PROPER SETUP AND ADJUSTMENTS.

PACIFIC VERSION  
Shown on sheets 3 of 4 & 4 of 4  
(Atlantic version shown on sheets 1 of 4 & 2 of 4)

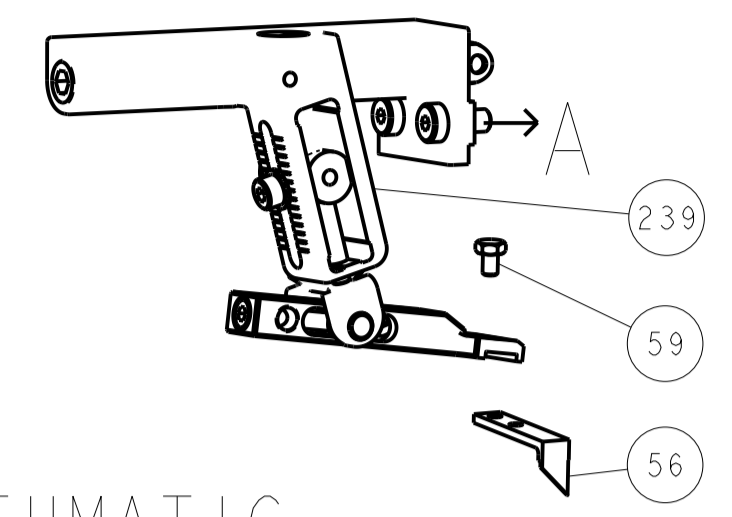
| LOC | DIST | REV | DATE | BY | APPV |
|-----|------|-----|------|----|------|
| A   | 66   |     |      |    |      |

| REV | DATE | DESCRIPTION | ITEM NO     |                                     |     |
|-----|------|-------------|-------------|-------------------------------------|-----|
| -   | 1    | 1           | 2119082-8   | CAM, SNAIL, INSULATION ADJUSTMENT   | 244 |
| -   | 1    | 1           | 2079764-1   | WASHER, WAVE SPRING, CREST-TO-CREST | 243 |
| -   | 1    | 1           | 2119083-1   | RETAINER, INSULATION DIAL           | 242 |
| -   | 1    | 1           | 7-18023-7   | SCR, SKT HD CAP M3 X 4.0            | 241 |
| -   | -    | 1           | 2119580-1   | MECHANICAL FEED ASSEMBLY            | 239 |
| -   | -    | 1           | 2844940-1   | AIR FEED MODULE                     | 238 |
| -   | REF  | REF         | 994970-2    | COUNTER, MAGNETIC                   | 164 |
| -   | 1    | -           | 2119641-2   | FEED CAM, AIR FEED                  | 151 |
| -   | 1    | 1           | 2168083-8   | SCR, SKT HD CAP, RoHS, M4 X 16      | 144 |
| -   | 4    | 4           | 2168083-9   | SCR, SKT HD CAP, RoHS, M4 X 20      | 143 |
| -   | -    | 1           | 2119653-2   | FEED CAM, POST FEED                 | 142 |
| -   | 1    | 1           | 1-1803583-0 | APPLICATOR BASIC ASSEMBLY, SF       | 141 |
| -   | 1    | 1           | 1803516-1   | RAM ASSEMBLY, SF PACIFIC            | 140 |
| -   | 1    | 1           | 1-22281-8   | SPRING, COMPRESSION                 | 121 |
| -   | 1    | 1           | 2844908-1   | SCREW, LOCKING                      | 99  |
| -   | 1    | 1           | 2844907-1   | POST, LOCKING                       | 98  |
| -   | 1    | 1           | 2168083-6   | SCR, SKT HD CAP, RoHS, M5 X 65      | 93  |
| -   | 1    | 1           | 455888-4    | SPACER, CRIMPER                     | 82  |
| -   | 1    | 1           | 1803607-3   | DOCUMENTATION PACKAGE               | 71  |
| -   | 1    | 1           | 2119791-5   | DEPRESSOR, WIRE                     | 70  |
| -   | 1    | 1           | 2119943-1   | WASHER, SPACER                      | 69  |
| -   | 1    | 1           | 1-690438-0  | FRONT STRIP GUIDE                   | 68  |
| -   | 1    | 1           | 2119740-1   | TAG IDENTIFICATION                  | 67  |
| -   | 2    | 2           | 2168078-1   | SCREW, DRIVE, RH, RoHS, 2 x .188    | 66  |
| -   | 2    | 2           | 2168083-1   | SCR, SKT HD CAP, RoHS, M3 X 8.0     | 65  |
| -   | 2    | 2           | 2-18032-5   | SCR, SET, FLT PNT, M5 X 20.0        | 61  |
| -   | 1    | 1           | 5-18022-5   | SCR, HEX HD CAP, M4 X 6.0           | 59  |
| -   | 1    | 1           | 1338685-1   | PAWL, FEED                          | 56  |
| -   | 2    | 2           | 1-2168083-0 | SCR, SKT HD CAP, RoHS, M4 X 10      | 53  |
| -   | 1    | 1           | 1803382-6   | HOLD DOWN, SPRING LOADED            | 50  |
| -   | 1    | 2           | 18023-9     | SCR, SKT HD CAP M4 X 6.0            | 49  |
| -   | -    | 1           | 2119652-1   | FEED CAM, PRE FEED                  | 48  |
| -   | 1    | 1           | 1803602-1   | SCR, BHSC, RoHS (M8 X 25)           | 41  |
| -   | 1    | 1           | 3-1752356-3 | SUPPORT, TERMINAL                   | 34  |
| -   | 2    | 2           | 2079383-5   | SCR, BHSC, RoHS (M4 X 20)           | 33  |
| -   | 2    | 2           | 2-2844962-4 | SPACER, CYLINDRICAL, STRIP GUIDE    | 30  |
| -   | 1    | 1           | 2844938-5   | PLATE, STRIP GUIDE                  | 29  |
| -   | 1    | 1           | 1-455888-0  | SPACER, CRIMPER                     | 28  |
| -   | 2    | 2           | 22283-1     | SPRING, COMPRESSION                 | 27  |
| -   | 1    | 1           | 356835-1    | LEVER, DRAG RELEASE                 | 26  |
| -   | 1    | 1           | 240792-1    | DRAG, TERMINAL                      | 25  |
| -   | 1    | 1           | 1320928-2   | STRIP GUIDE                         | 24  |
| -   | 1    | 1           | 980371-4    | SCR, SKT HD SHLDR 5.0 DIA X 6.0     | 23  |
| -   | 1    | 1           | 2168083-2   | SCR, SKT HD CAP, RoHS, M4 X 8.0     | 21  |
| -   | 2    | 2           | 1-18028-2   | WASHER, FLAT, REG M4                | 20  |
| -   | 1    | 1           | 2119533-1   | STRIPPER, SIDE FEED                 | 19  |
| -   | 1    | 1           | 2119806-1   | INSERT, SHEAR                       | 13  |
| -   | 1    | 1           | 3-22280-3   | SPRING, COMPRESSION                 | 12  |
| -   | 1    | 1           | 1-356885-4  | STOP, SHEAR                         | 11  |
| -   | 1    | 1           | 2119805-1   | SHEAR HOLDER, FRONT                 | 10  |
| -   | 1    | 1           | 318707-9    | FLOATING SHEAR, FRONT               | 9   |
| -   | 1    | 1           | 1333231-6   | ANVIL, COMBINATION, SPECIAL         | 8   |
| -   | -    | -           | -           | -                                   | 7   |
| -   | -    | -           | -           | -                                   | 6   |
| -   | 1    | 1           | 2119757-7   | DEPRESSOR, SHEAR                    | 5   |
| -   | 1    | 1           | 4-238011-2  | BLOCK, CRIMPER SPACER               | 4   |
| -   | 1    | 1           | 1633989-7   | CRIMPER, INSULATION, SPECIAL        | 3   |
| -   | -    | -           | -           | -                                   | 2   |
| -   | 1    | 1           | 2-456403-6  | CRIMPER, WIRE PREMIUM               | 1   |

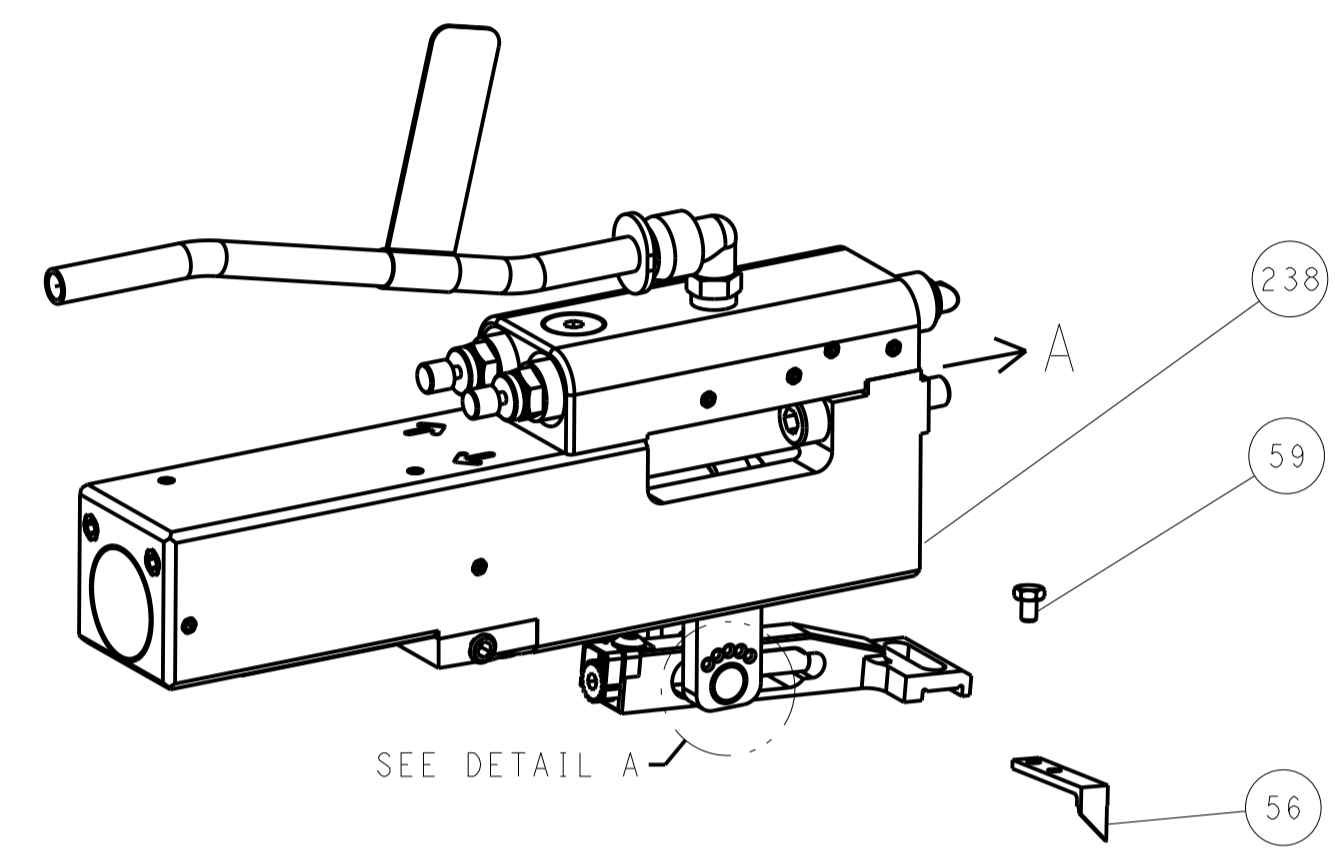
|             |  |  |   |  |           |  |
|-------------|--|--|---|--|-----------|--|
| DIMENSIONS: |  | TOLERANCES UNLESS OTHERWISE SPECIFIED: |   | OWN                                    | DATE      | TE Connectivity<br>Harrisburg, PA 17105-3608 |
| mm          | 0 PLC ±<br>1 PLC ±<br>3 PLC ±<br>4 PLC ± | mm                                     | ± | CHK                                    | 10MAY2012 |  |
| MATERIAL:   |  | FINISH:                                |   | APVD                                   | DATE      | NAME   |
|             |  |  |   | S-XI                                   | 10MAY2012 | Ocean Side Feed<br>Applicator                |
|             |  |  |   | PRODUCT SPEC                           |           |  |
|             |  |  |   | APPLICATION SPEC                       |           |  |
|             |  |  |   | SIZE                                   | CAGE CODE | DRAWING NO                                   |
|             |  |  |   | A1                                     | 00779     | 2151666                                      |
|             |  |  |   | RESTRICTED TO                          |           |  |
|             |  |  |   | Customer Accessible Production Drawing | SCALE     | 1:2 SHEET 3 OF 4 REV E1                      |

| REVISONS |      | DATE        | OWN | APVD |
|----------|------|-------------|-----|------|
| LOC      | DIST |             |     |      |
| A        | 66   |             |     |      |
|          |      | DESCRIPTION |     |      |
|          |      | SEE SHEET 1 |     |      |

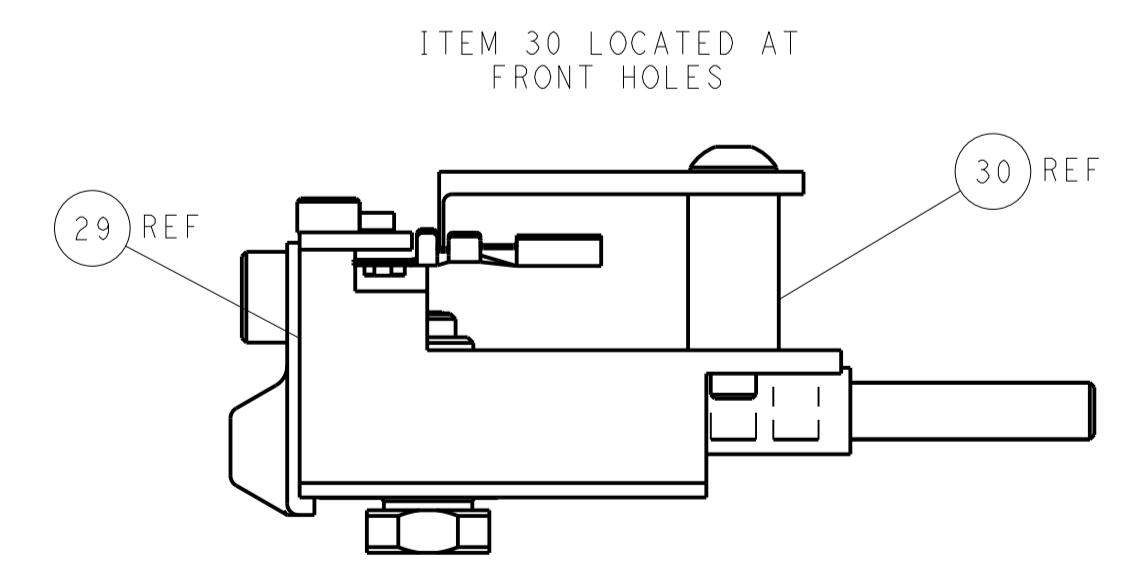
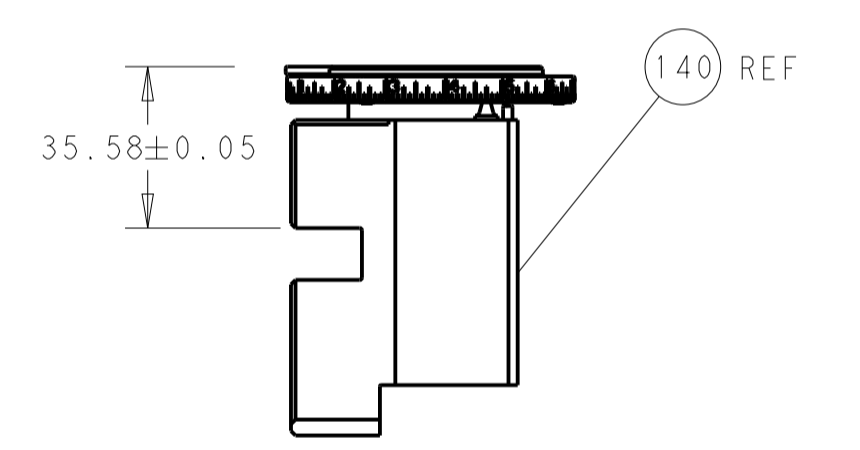
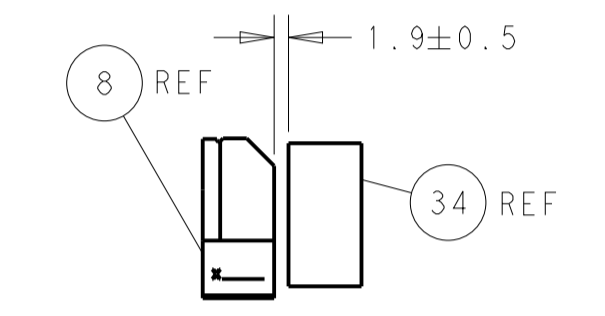
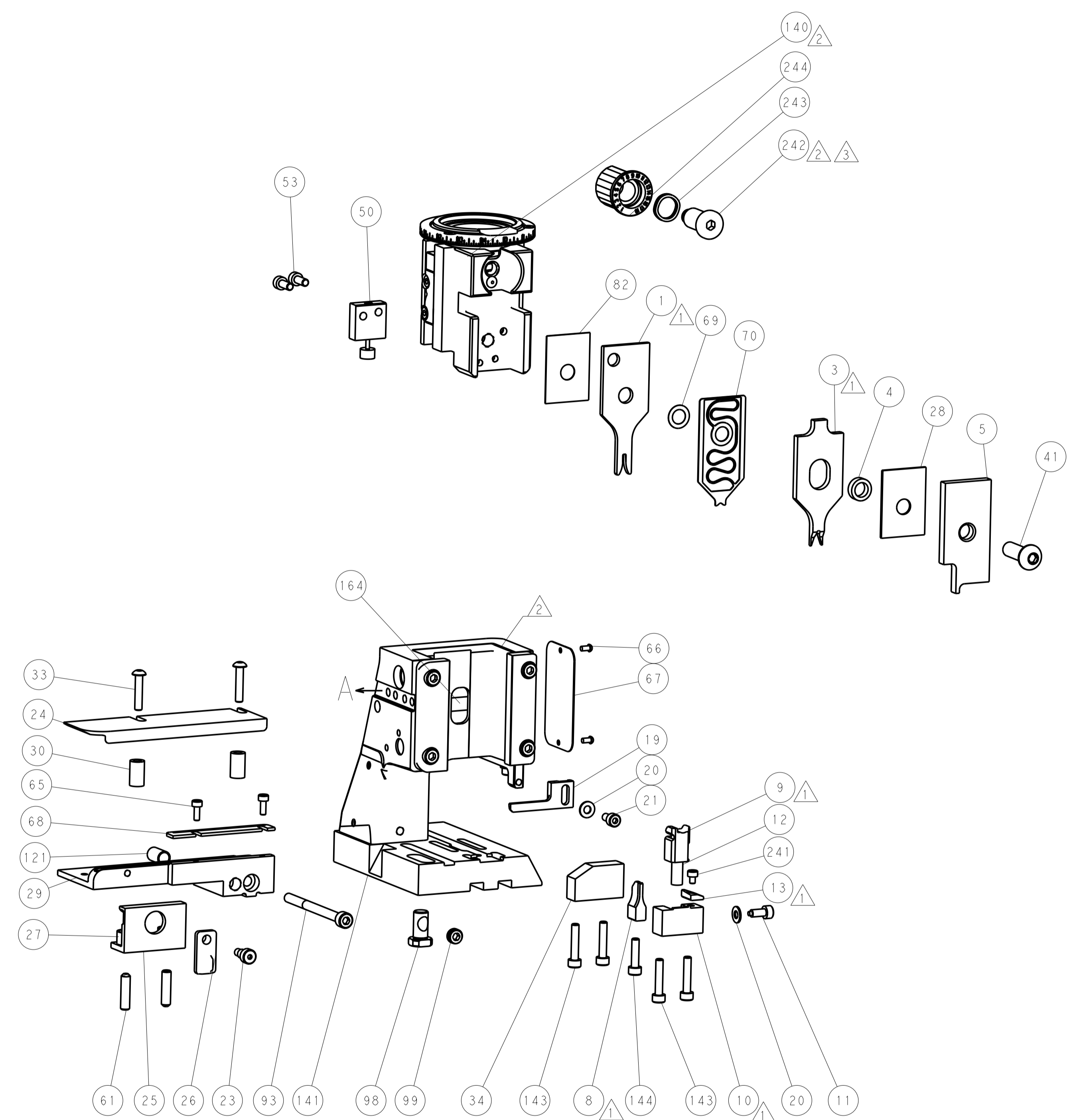
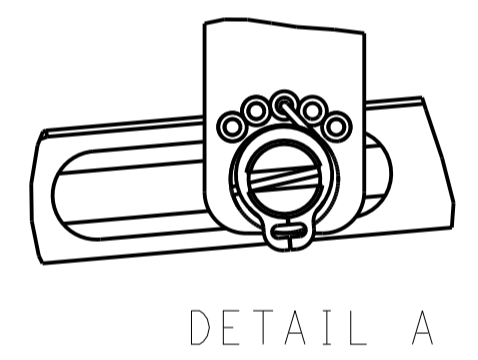
# FEED TYPE MECHANICAL



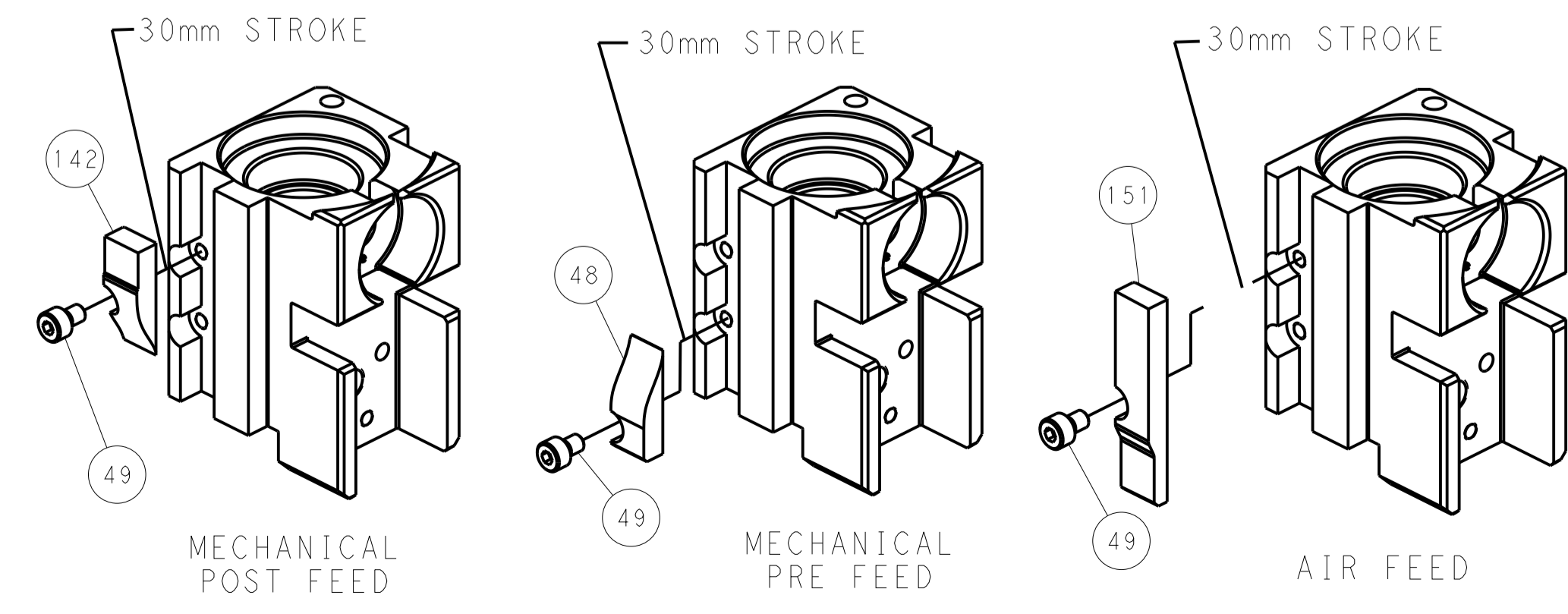
## PNEUMATIC



## FEED SPRING SETTING POSITION (SHOWN FROM REAR SIDE)



# CAM POSITIONS



**PACIFIC VERSION**  
 Shown on sheets 3 of 4 & 4 of 4  
 (Atlantic version shown on sheets 1 of 4 & 2 of 4)

|             |         |  |  |  |  |   |                            |
|-------------|---------|--|--|--|--|---|----------------------------|
| DIMENSIONS: |         | TOLERANCES UNLESS OTHERWISE SPECIFIED: |  | DWN: H. HUANG 10MAY2012                |  | STE TE Connectivity Harrisburg, PA 17105-3608 |                            |
| mm          | 0 PLC   | ±                                      |  | CHK:                                   |  | NAME:   | Ocean Side Feed Applicator |
|             | 1 PLC   | ±                                      |  | APVD: S. XI 10MAY2012                  |  | SIZE:   | A1 00779 C=2151666         |
|             | 2 PLC   | ±                                      |  | PRODUCT SPEC:                          |  | SCALE:  | 1:2                        |
|             | 3 PLC   | ±                                      |  | APPLICATION SPEC:                      |  | SHEET:  | 4 OF 4                     |
|             | 4 PLC   | ±                                      |  | RESTRICTED TO:                         |  | REV:  | E1                         |
| MATERIAL:   | FINISH: | WEIGHT:                                |  | Customer Accessible Production Drawing |  |   |                            |