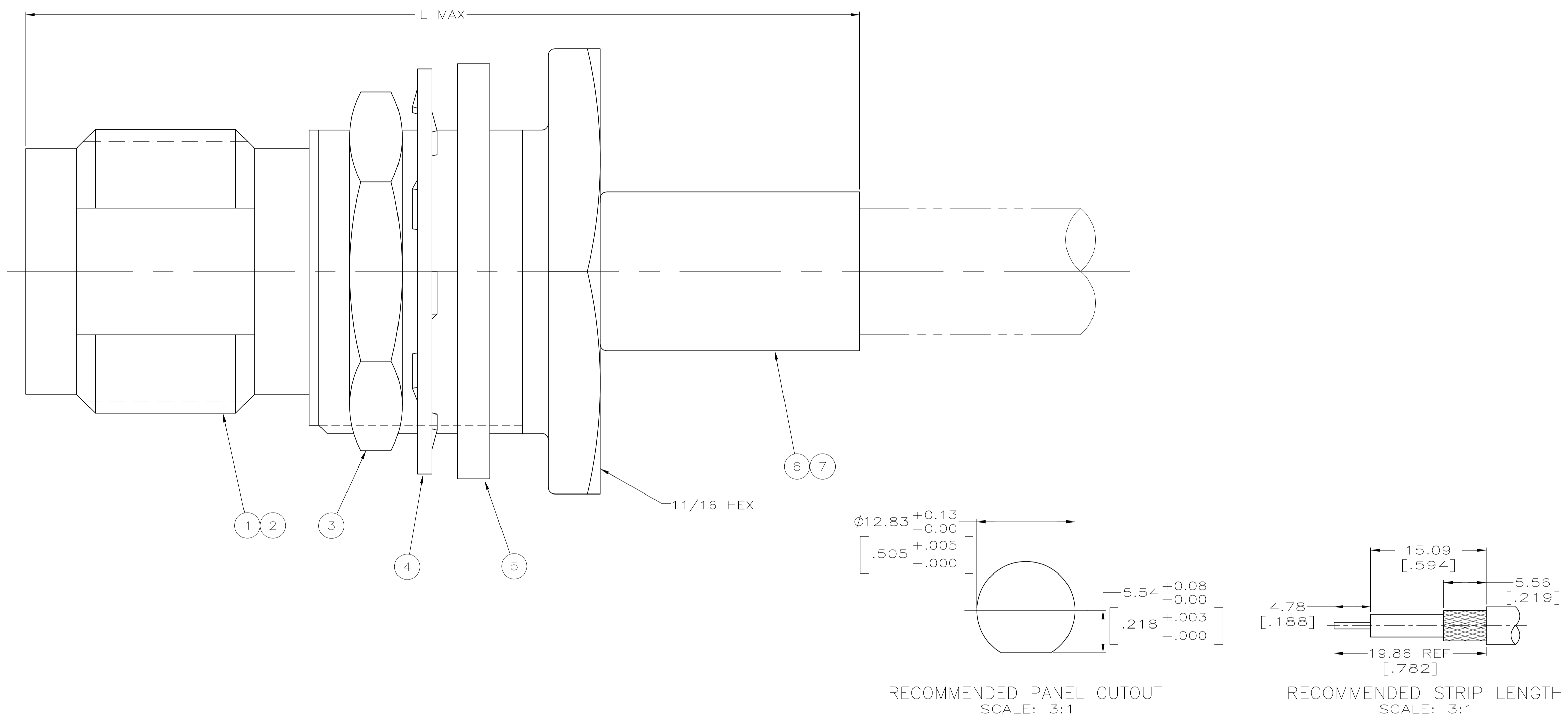


LOC		DIST		REVISIONS			
REV	BY	DATE	DESCRIPTION	DATE	BY	APPV	
0	REV PER EC-0514-0496-04	31JAN2005			GA	JL	
01	REVISED PER ECO-09-024927	10NOV09			KK	AEG	

- △ USE HAND TOOL: 354940-1
- 2. MAXIMUM PANEL THICKNESS: 6.10 [.240]
- 3. SEE I.S. 9051
- △ OBSOLETE PARTS: OBSOLETE CIS STREAMLINING PER D.RENAUD/D.SINISI



OBSOLETE	FOR USE WITH CABLE	L	DIE SET	△ 7 BUSHING QTY=1	6 FERRULE QTY=1	5 GASKET QTY=1	4 LOCKWASHER QTY=1	3 JAM NUT QTY=1	2 CONTACT QTY=1	1 JACK ASSEMBLY QTY=1	PART NUMBER
△	RG-55/U, 55A/U, 55B/U, 223/U	34.93 [1.375]	220189-1	-	9-329099-0	329633	1-329632-2	1-329631-2	221149-6	414169-1	5414168-6
	RG-142/U, 142A/U, 142B/U, 400/U	34.93 [1.375]	220189-1	-	9-225382-0	329633	1-329632-2	1-329631-2	2-221149-6	414169-1	5414168-5
	RG-188/U, 316/U TYPE DOUBLE BRAID	34.93 [1.375]	58330-1	21427-4	9-329049-0	329633	1-329632-2	1-329631-2	2-221149-0	414169-3	5414168-4
	RG-174/U, 188/U, 316/U	34.93 [1.375]	220210-1	21427-4	9-328666-0	329633	1-329632-2	1-329631-2	2-221149-0	414169-3	5414168-3
	RG-58/U, 58A/U, 58B/U, 58C/U, 141/U, 141A/U	34.93 [1.375]	220189-1	-	9-50427-1	329633	1-329632-2	1-329631-2	221149-6	414169-1	5414168-1

THIS DRAWING IS A CONTROLLED DOCUMENT.

DIMENSIONS: INCHES	TOLERANCES UNLESS OTHERWISE SPECIFIED:	0 PLC ± -	1 PLC ± -	2 PLC ± 0.41 [016]	3 PLC ± -	4 PLC ± -	ANGLES ± -
--------------------	--	-----------	-----------	--------------------	-----------	-----------	------------

MATERIAL: - FINISH: -

APVD: J. HAVENER	DATE: 31JAN2005	NAME: J. LIPPERT	DATE: 31JAN2005
PRODUCT SPEC: 108-12047	APPLICATION SPEC: -	WEIGHT: -	SCALE: 10:1

Customer Drawing

SIZE: A1 CAGE CODE: 00779 DRAWING NO: 5414168 RESTRICTED TO: -

108-12047 JACK BULKHEAD, COMMERCIAL TNC

SCALE: 10:1 SHEET 1 OF 1 REV 01