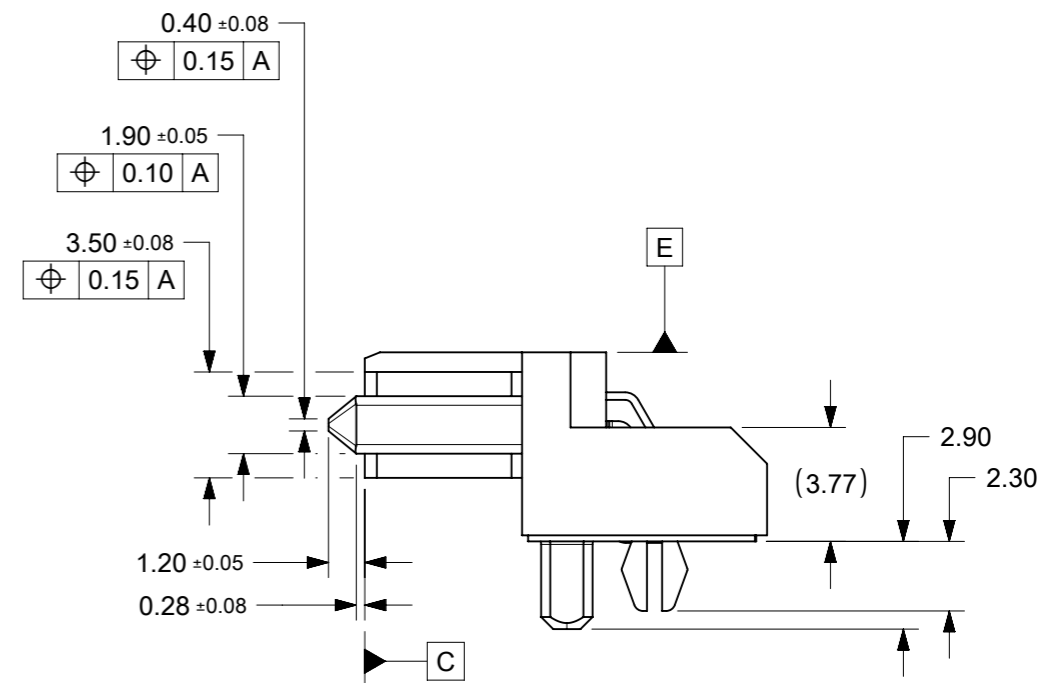


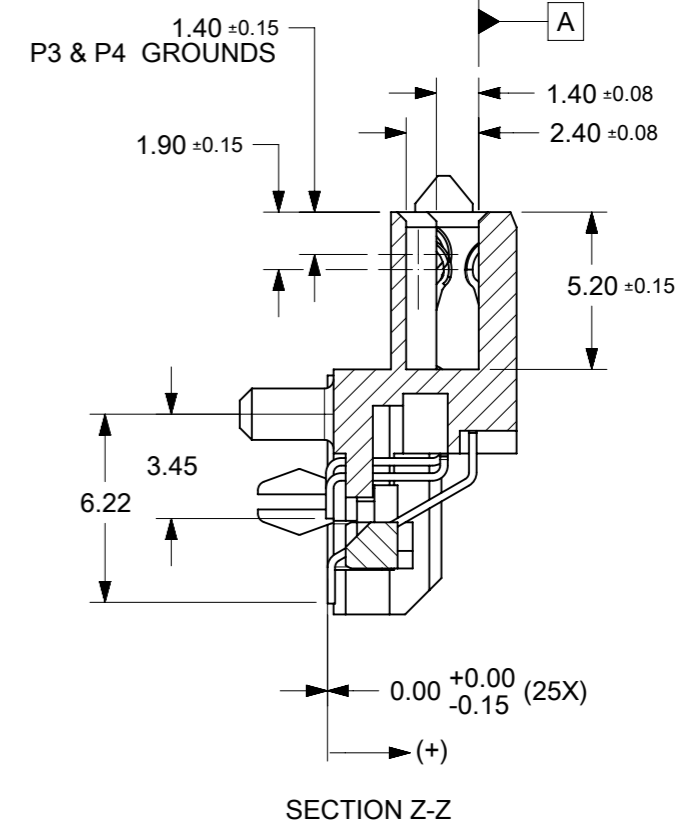
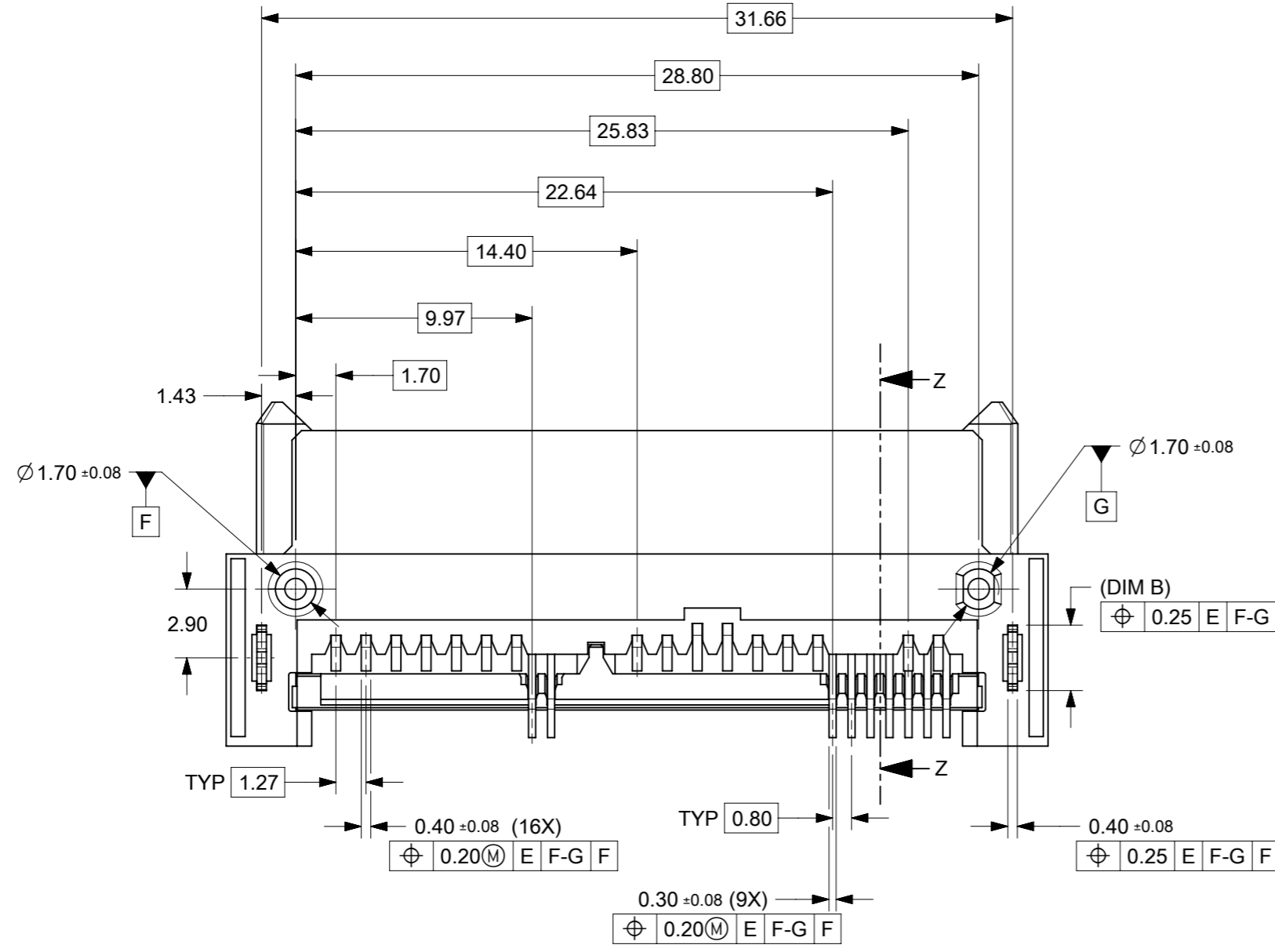
NOTES:

- MATERIAL : LCP, GLASS FILLED, UL 94V-0, BLACK  
TERMINAL/FORKLOCK : COPPER ALLOY
- FINISHES :  
TERMINAL : 0.76µm MIN. SELECTIVE GOLD OVER  
1.27µm MIN. NICKEL UNDERPLATE  
: 2.54µm MIN. TIN OVER  
1.27µm MIN. NICKEL UNDERPLATE  
FORKLOCK : 2.54µm MIN. TIN OVER  
1.27µm MIN. NICKEL UNDERPLATE
- PRODUCT SPECIFICATION PS-78395-001
- PACKAGING SPECIFICATION : TRAY
- MATES WITH : MOLEX MICRO SAS PLUG
- MOLEX LOGO LOCATED APPROXIMATELY AS SHOWN
- THIS PRODUCT IS COMPLIANT TO RoHS DIRECTIVE WITH THE FOLLOWING BANNED SUBSTANCES - LEAD, MERCURY, CADMIUM, HEXAVALENT CHROMIUM, POLYBROMINATED BIPHENYLS AND POLYBROMINATED DIPHENYLS ETHERS.
- NON FUNCTIONAL CORING MAY VARY.



PRE-RELEASE  
REFERENCE  
USE ONLY

THIS DRAWING CONTAINS INFORMATION THAT IS PROPRIETARY TO MOLEX ELECTRONIC TECHNOLOGIES, LLC AND SHOULD NOT BE USED WITHOUT WRITTEN PERMISSION											
DIMENSION UNITS		SCALE		CURRENT REV DESC: OBSOLETE PART NUMBER							
mm		NTS									
GENERAL TOLERANCES (UNLESS SPECIFIED)											
		MM		INCH		EC NO: 655042		2021/01/20		MICRO SAS RECEPTACLE	
4 PLACES		±		±		DRWN: ABHISP1		2021/03/01		R/A, SMT, 3.85MM HEIGHT 1.8 INCH SSD/HDD	
3 PLACES		±		±		CHK'D: GGA		2021/03/01		PRODUCT CUSTOMER DRAWING	
2 PLACES		± 0.2		±		APPR: GGA		2021/03/01		DOCUMENT NUMBER	
1 PLACE		±		±		INITIAL REVISION:				DOC TYPE	
0 PLACES		±		±		DRWN: YKOH		2008/05/20		DOC PART	
ANGULAR TOL		± 3.0°		±		APPR: BOKOK		2010/03/31		REVISION	
DRAFT WHERE APPLICABLE MUST REMAIN WITHIN DIMENSIONS				THIRD ANGLE PROJECTION		DRAWING		SERIES		MATERIAL NUMBER	
						A3-SIZE		78395		CUSTOMER	
								SEE TABLE		GENERAL MARKET	
										SHEET NUMBER	
										1 OF 4	



PRE-RELEASE  
REFERENCE  
USE ONLY

THIS DRAWING CONTAINS INFORMATION THAT IS PROPRIETARY TO MOLEX ELECTRONIC TECHNOLOGIES, LLC AND SHOULD NOT BE USED WITHOUT WRITTEN PERMISSION		CURRENT REV DESC: OBSOLETE PART NUMBER		<b>molex</b>	
DIMENSION UNITS	SCALE	EC NO: 655042			
mm	NTS	DRWN: ABHISP1		R/A, SMT, 3.85MM HEIGHT 1.8 INCH SSD/HDD	
GENERAL TOLERANCES (UNLESS SPECIFIED)		CHK'D: GGA		PRODUCT CUSTOMER DRAWING	
		APPR: GGA		DOCUMENT NUMBER	
		INITIAL REVISION:		SD-78395-001	
		DRWN: YKOH		DOC TYPE	
		APPR: BOKOK		PSD	
		ANGULAR TOL ± 3.0°		DOC PART	
		DRAFT WHERE APPLICABLE MUST REMAIN WITHIN DIMENSIONS		001	
		THIRD ANGLE PROJECTION		REVISION	
		DRAWING		B	
		SERIES		SHEET NUMBER	
		A3-SIZE		2 OF 4	
		78395		MATERIAL NUMBER	
		SEE TABLE		CUSTOMER	
		GENERAL MARKET			

10

9

8

7

6

5

4

3

2

1

F

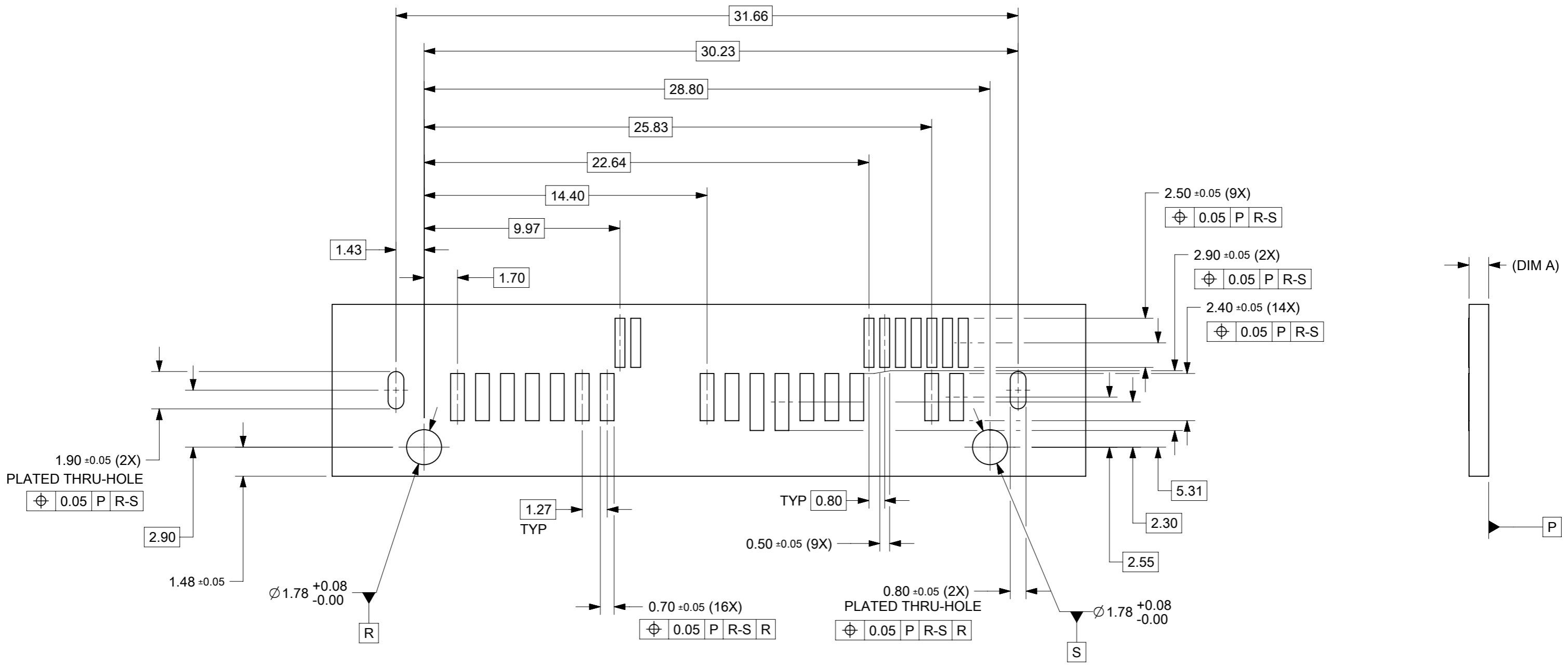
E

D

C

B

A



RECOMENDED PCB LAYOUT

PRE-RELEASE  
REFERENCE  
USE ONLY

THIS DRAWING CONTAINS INFORMATION THAT IS PROPRIETARY TO MOLEX ELECTRONIC TECHNOLOGIES, LLC AND SHOULD NOT BE USED WITHOUT WRITTEN PERMISSION												
DIMENSION UNITS		SCALE		CURRENT REV DESC: OBSOLETE PART NUMBER						<b>molex</b>		
mm		NTS										
GENERAL TOLERANCES (UNLESS SPECIFIED)										MICRO SAS RECEPTACLE R/A, SMT, 3.85MM HEIGHT 1.8 INCH SSD/HDD		
										PRODUCT CUSTOMER DRAWING		
4 PLACES ±				EC NO: 655042		2021/01/20		DOCUMENT NUMBER		DOC TYPE	DOC PART	REVISION
3 PLACES ±				DRWN: ABHISP1		2021/03/01		SD-78395-001		PSD	001	B
2 PLACES ±		0.2		CHK'D: GGA		2021/03/01		MATERIAL NUMBER		CUSTOMER		SHEET NUMBER
1 PLACE ±				APPR: GGA				SEE TABLE		GENERAL MARKET		3 OF 4
0 PLACES ±				INITIAL REVISION:				SERIES		78395		
ANGULAR TOL ±		3.0°		DRWN: YKOH		2008/05/20		DRAWING		A3-SIZE		
DRAFT WHERE APPLICABLE MUST REMAIN WITHIN DIMENSIONS				APPR: BOKOK		2010/03/31		THIRD ANGLE PROJECTION				

DOCUMENT STATUS	P1	RELEASE DATE	2021/03/01	05:50:14
-----------------	----	--------------	------------	----------

FORMAT: Mel-lega-master-ib-prod-A3  
 REVISION: E  
 DATE: 2020/01/14

9

8

7

6

5

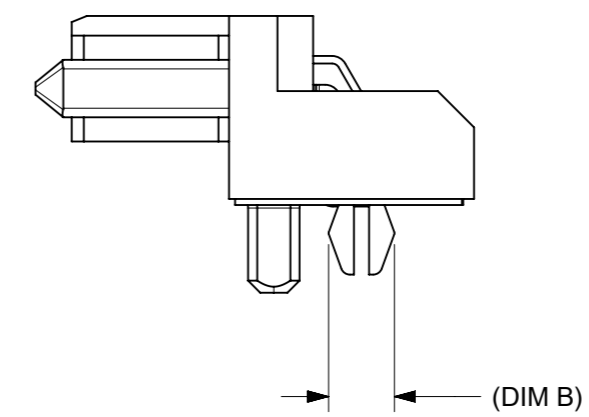
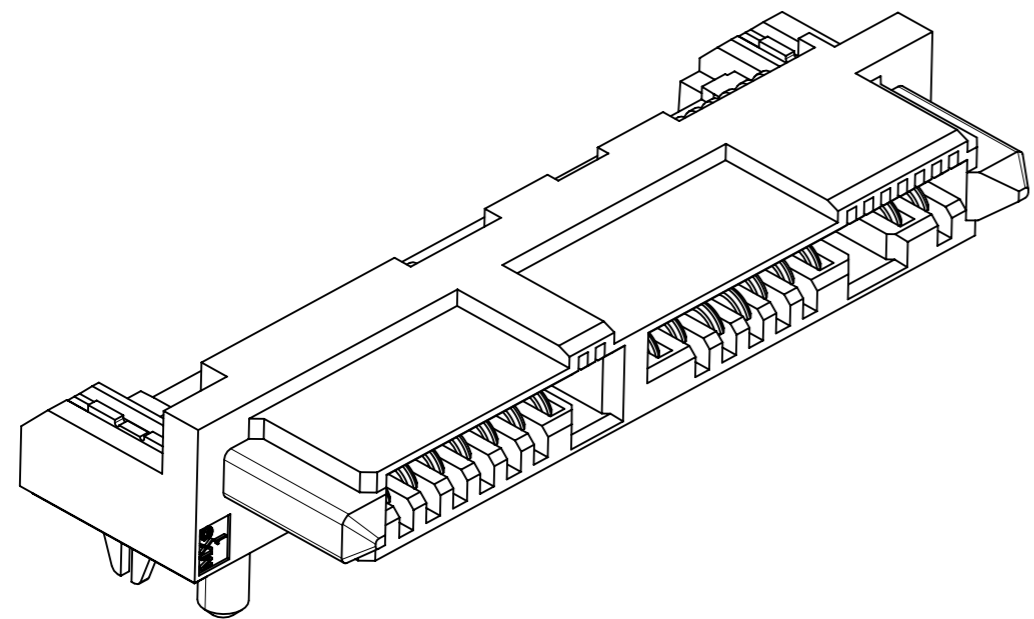
4

3

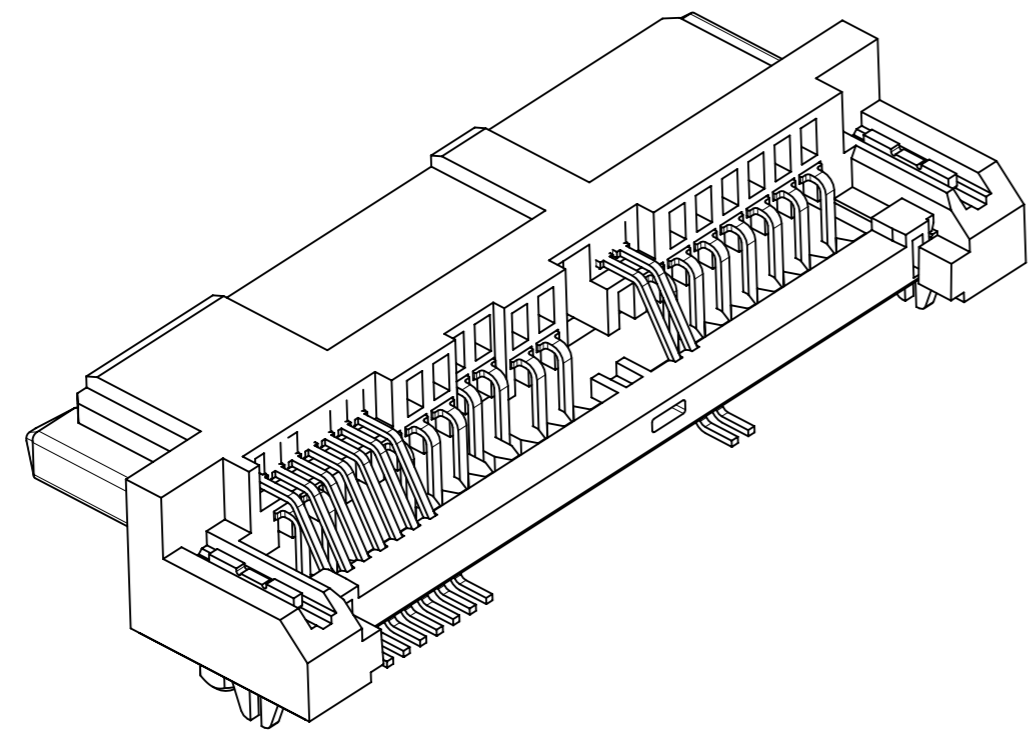
2

1

PART NUMBER	HOLDDOWN	DIM A (PCB THICKNESS)	DIM B
78395-0001	FORKLOCK	1.00±0.10	(2.18)



78395-0001



PRE-RELEASE  
REFERENCE  
USE ONLY

THIS DRAWING CONTAINS INFORMATION THAT IS PROPRIETARY TO MOLEX ELECTRONIC TECHNOLOGIES, LLC AND SHOULD NOT BE USED WITHOUT WRITTEN PERMISSION												
DIMENSION UNITS		SCALE		CURRENT REV DESC: OBSOLETE PART NUMBER						<b>molex</b>		
mm		NTS										
GENERAL TOLERANCES (UNLESS SPECIFIED)				EC NO: 655042		2021/01/20		MICRO SAS RECEPTACLE R/A, SMT, 3.85MM HEIGHT 1.8 INCH SSD/HDD				
				DRWN: ABHISP1		2021/03/01						
				CHK'D: GGA		2021/03/01		PRODUCT CUSTOMER DRAWING				
				APPR: GGA		2021/03/01						
				INITIAL REVISION:				DOCUMENT NUMBER		DOC TYPE	DOC PART	REVISION
				DRWN: YKOH		2008/05/20		SD-78395-001		PSD	001	B
				APPR: BOKOK		2010/03/31		MATERIAL NUMBER		CUSTOMER		SHEET NUMBER
DRAFT WHERE APPLICABLE MUST REMAIN WITHIN DIMENSIONS				THIRD ANGLE PROJECTION		DRAWING	SERIES	SEE TABLE		GENERAL MARKET		4 OF 4

DOCUMENT STATUS	P1	RELEASE DATE	2021/03/01	05:50:14
-----------------	----	--------------	------------	----------