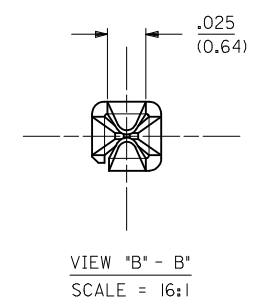
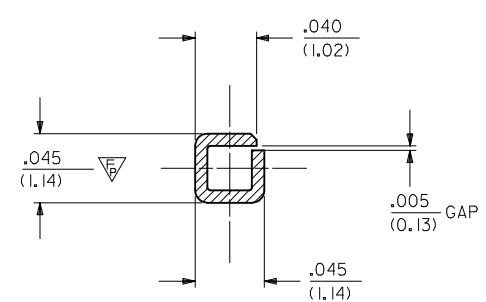
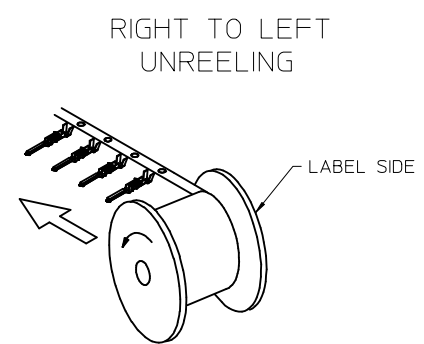


NOTES:

- 1- MATERIAL: PHOSPHOR BRONZE ALLOY
- 2- FINISH:
  - (A) - SELECTIVE GOLD PLATE .000030/(0.00076)MIN., AND SELECTIVE TIN .000100/(0.00254) OVER .000050/(0.00127) NICKEL OVERALL.
  - (B) - .000100/(0.00254) TIN OVER .000050/(0.00127) NICKEL.
- 3- PRODUCT SPECIFICATION: TBD.
- 4- PACKAGING INFORMATION: SEE CHART FOR CHAIN PK-5556-003 FOR LOOSE TERMINALS
- 5- MEASURING POINT FOR PLATING THICKNESS.
- 6- TERMINAL CANNOT BE USED IN 42475 OR 43558 HOUSINGS.

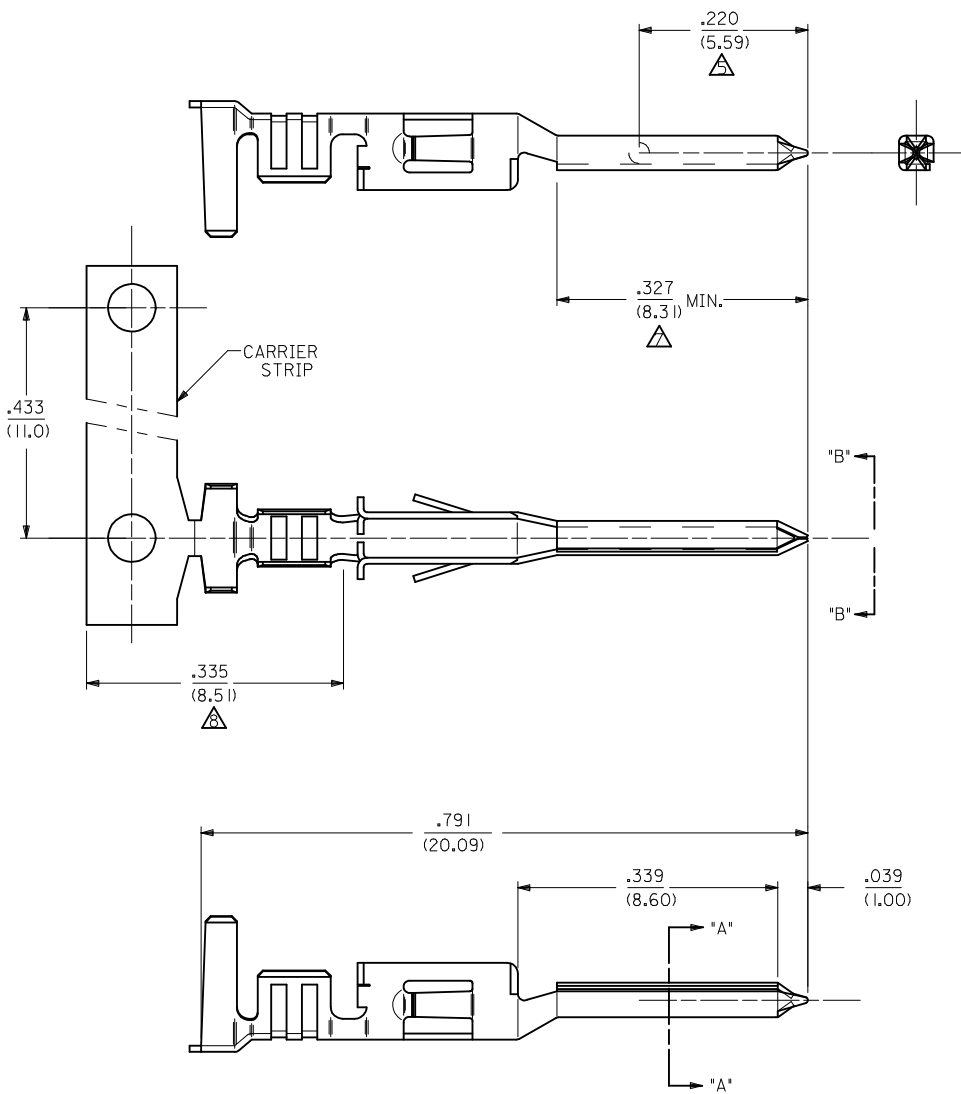


SECTION "A - A"  
SCALE = 16:1

VIEW "B" - "B"  
SCALE = 16:1

30490-2012	B	LOOSE		4000	18-24
30490-2002		CHAIN	RIGHT TO LEFT		
30490-1012	A	LOOSE		4000	18-24
30490-1002		CHAIN	RIGHT TO LEFT		
ITEM NO.	PLATING	FORM	UNREEL DIRECTION	QTY. PER REEL	WIRE GAGE

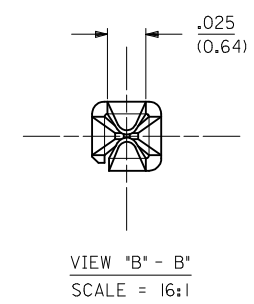
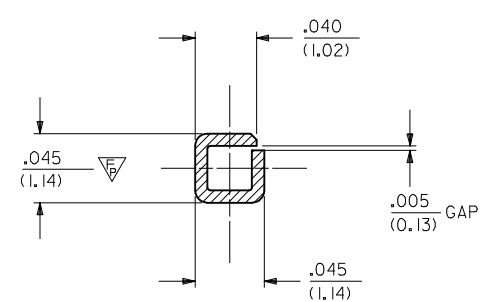
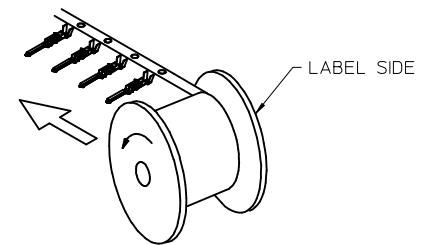
UPDATE TABLE EC NO: UCP2014-3954 DRAWINGUYEN 2014/04/07 CHKD:JBELL 2014/04/07 APPR:FSMITH 2014/05/16	QUALITY SYMBOLS	GENERAL TOLERANCES (UNLESS SPECIFIED)	DIMENSION STYLE	SCALE	DESIGN UNITS	THIRD ANGLE PROJECTION
	▽=0	mm INCH	IN/MM	8:1	INCH	
	▽=0	4 PLACES ± --- ± ---	DRAWN BY	DATE	TITLE	
	▽=2	3 PLACES ± --- ± .010	BBW	92/ 1/22	MALE CRIMP TERMINAL MINI-FIT STYLE	
		2 PLACES ± 0.25 ± .015	CHECKED BY	DATE		
		1 PLACE ± 0.38 ± ---	APPROVED BY	DATE		
		0 PLACE ± ±	JAMARA	2011/01/28		
		ANGULAR ± 5 °	MATERIAL NO.	DOCUMENT NO.		
		DRAFT WHERE APPLICABLE MUST REMAIN WITHIN DIMENSIONS	SEE CHART	SD-30490-***2		
			SIZE			
			THIS DRAWING CONTAINS INFORMATION THAT IS PROPRIETARY TO MOLEX INCORPORATED AND SHOULD NOT BE USED WITHOUT WRITTEN PERMISSION			



NOTES:

- 1- MATERIAL: PHOSPHOR BRONZE ALLOY
  - 2- FINISH:
    - (A) - SELECTIVE GOLD PLATE .000030/(0.00076)MIN., AND SELECTIVE TIN .000100/(0.00254) OVER .000050/(0.00127) NICKEL OVERALL.
    - (B) - .000100/(0.00254) TIN OVER .000050/(0.00127) NICKEL.
  - 3- PRODUCT SPECIFICATION: TBD.
  - 4- PACKAGING INFORMATION: SEE CHART FOR CHAIN PK-5556-003 FOR LOOSE TERMINALS
- ▲ - MEASURING POINT FOR PLATING THICKNESS.  
 ▽ - 6-TERMINAL CANNOT BE USED IN 42475 OR 43558 HOUSINGS.  
 ▲ - GOLD PLATING AREA.  
 ▲ - TIN PLATING AREA.

RIGHT TO LEFT UNREELING



SECTION "A - A"  
SCALE = 16:1

30490-2012	B	LOOSE		4000	18-24
30490-2002		CHAIN	RIGHT TO LEFT		
30490-1012	A	LOOSE		4000	18-24
30490-1002		CHAIN	RIGHT TO LEFT		
ITEM NO.	PLATING	FORM	UNREEL DIRECTION	QTY. PER REEL	WIRE GAGE

UPDATE TABLE EC NO: UCP2014-3954 DRAWINGUYEN 2014/04/07 CHKD:JBELL 2014/04/07 APPR:FSMITH 2014/05/16 F4	QUALITY SYMBOLS ▽=0 ▽=0 ▽=2	GENERAL TOLERANCES (UNLESS SPECIFIED) <table border="1"> <tr> <th></th> <th>mm</th> <th>INCH</th> </tr> <tr> <td>4 PLACES</td> <td>± .10</td> <td>± .004</td> </tr> <tr> <td>3 PLACES</td> <td>± .15</td> <td>± .005</td> </tr> <tr> <td>2 PLACES</td> <td>± .25</td> <td>± .010</td> </tr> <tr> <td>1 PLACE</td> <td>± .38</td> <td>± .015</td> </tr> <tr> <td>0 PLACE</td> <td>± .50</td> <td>± .020</td> </tr> </table>		mm	INCH	4 PLACES	± .10	± .004	3 PLACES	± .15	± .005	2 PLACES	± .25	± .010	1 PLACE	± .38	± .015	0 PLACE	± .50	± .020	DIMENSION STYLE IN/MM DRAWN BY BBW DATE 92/ 1/22 CHECKED BY DATE APPROVED BY JAMARA DATE 2011/01/28	SCALE 8:1 DESIGN UNITS INCH THIRD ANGLE PROJECTION	TITLE MALE CRIMP TERMINAL MINI-FIT STYLE <b>molex</b> DOCUMENT NO. SD-30490-***2 SHEET NO. 1 OF 1
		mm	INCH																				
	4 PLACES	± .10	± .004																				
	3 PLACES	± .15	± .005																				
2 PLACES	± .25	± .010																					
1 PLACE	± .38	± .015																					
0 PLACE	± .50	± .020																					
DRAFT WHERE APPLICABLE MUST REMAIN WITHIN DIMENSIONS		MATERIAL NO. SEE CHART	THIS DRAWING CONTAINS INFORMATION THAT IS PROPRIETARY TO MOLEX INCORPORATED AND SHOULD NOT BE USED WITHOUT WRITTEN PERMISSION																				