

THIS DRAWING IS UNPUBLISHED.

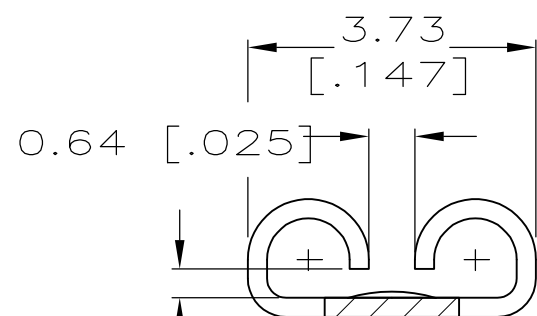
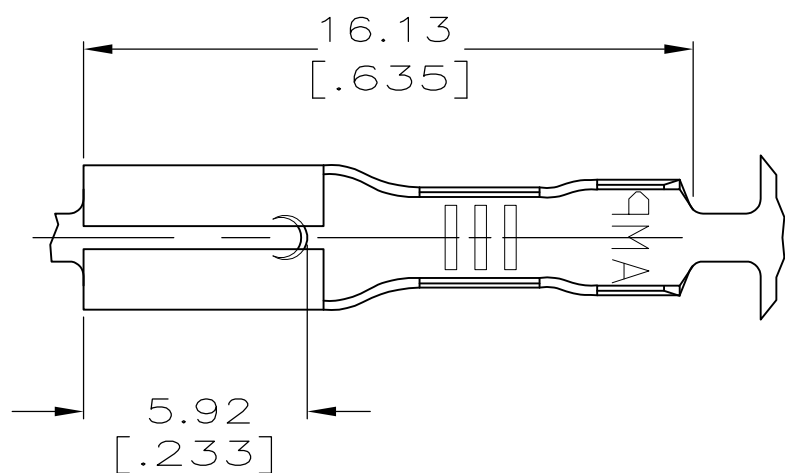
RELEASED FOR PUBLICATION

ALL RIGHTS RESERVED.

LOC AF DIST 50

REVISIONS

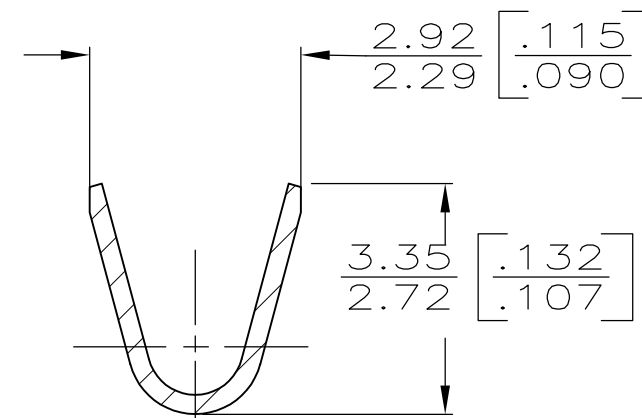
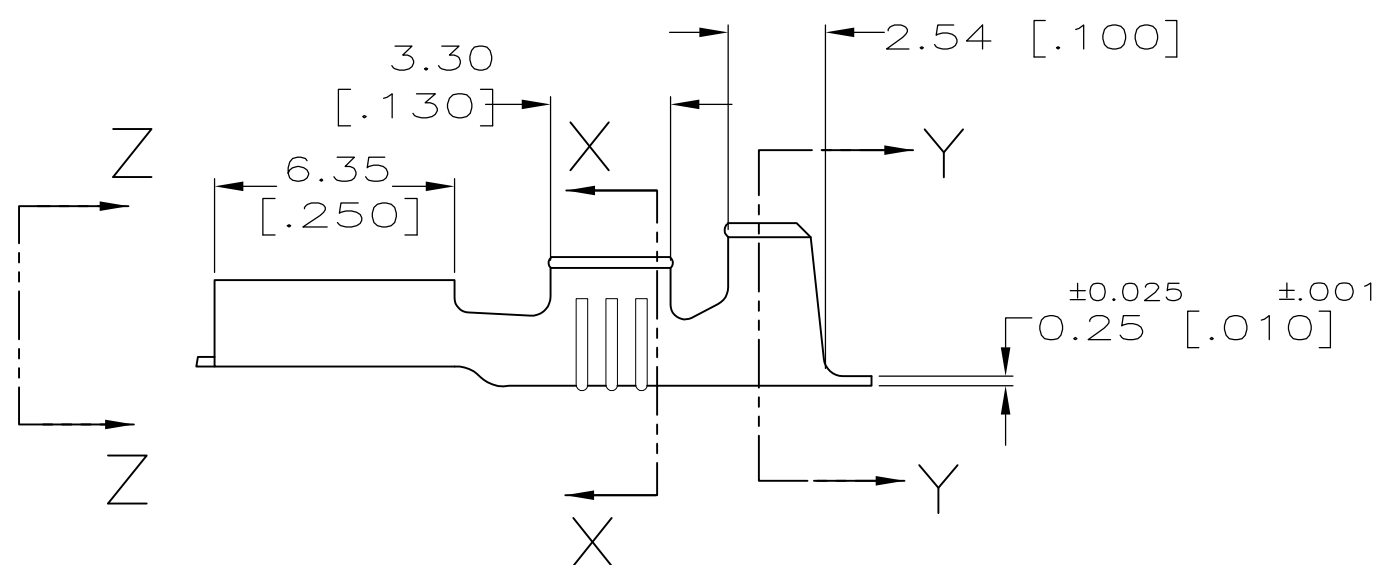
P	LTR	DESCRIPTION	DATE	DWN	APVD
C		REVISED PER ECR-12-013459	27NOV2012	KH	PD



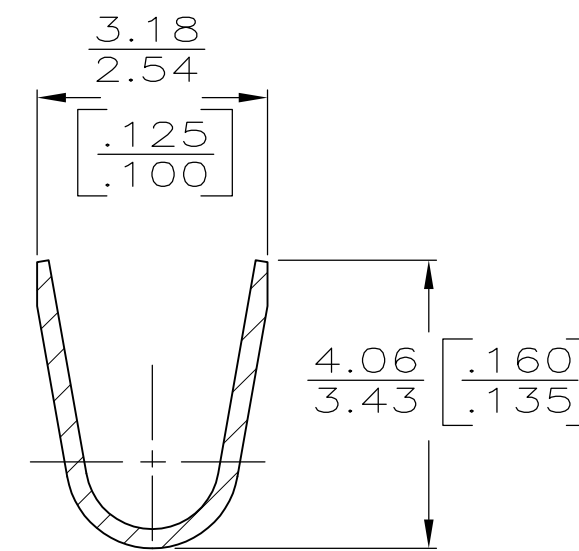
FITS 2.79 [.110] SERIES FASTON TABS

VIEW Z-Z SCALE 10:1

1 CONTINUOUS STRIP ON REELS




SECTION X-X SCALE 10:1



SECTION Y-Y SCALE 10:1

1.52-2.54 [.060-.100]	0.5-1.4mm ² [20-16]	0.25 [.010]	62968-1
INSUL RANGE	WIRE SIZE	MATING TAB THK ±0.025 ±[.001]	PART NO

THIS DRAWING IS A CONTROLLED DOCUMENT.		DWN JR RUTH 1/2/91	 TE Connectivity RECEPTACLE, FASTON, 2.79 [.110] SERIES					
DIMENSIONS: mm [INCHES]		CHK MS FEHER 1/2/91						
TOLERANCES UNLESS OTHERWISE SPECIFIED:		APVD C MEYERS 1/2/91						
0 PLC ± - 1 PLC ± - 2 PLC ± - 3 PLC ± 0.38 [.015] 4 PLC ± - ANGLES ± -		NAME						
MATERIAL BRASS		FINISH PRE-TIN	PRODUCT SPEC -	APPLICATION SPEC -	SIZE A3	CAGE CODE 00779	DRAWING NO C-62968	RESTRICTED TO -
CUSTOMER DRAWING			WEIGHT -	SCALE 5:1	SHEET 1 OF 1	REV C		