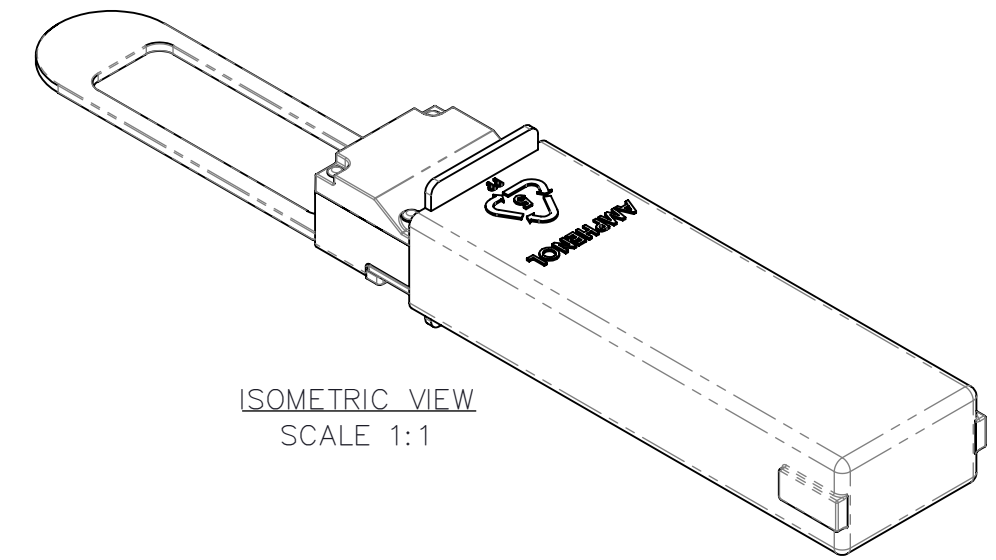
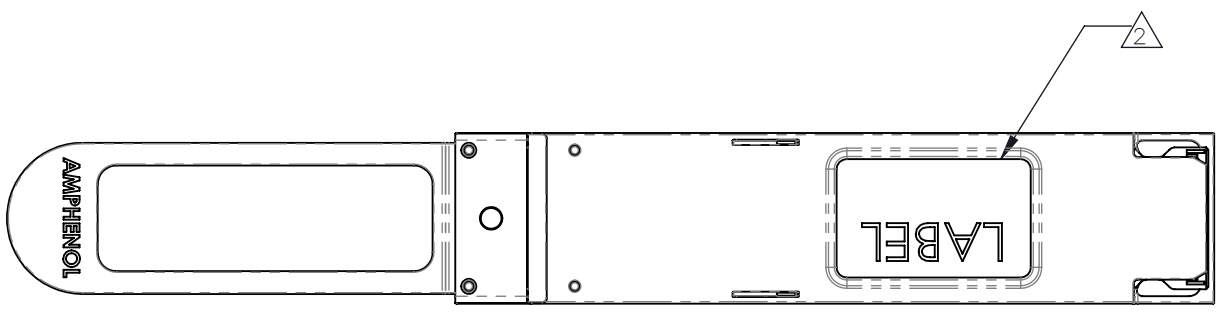
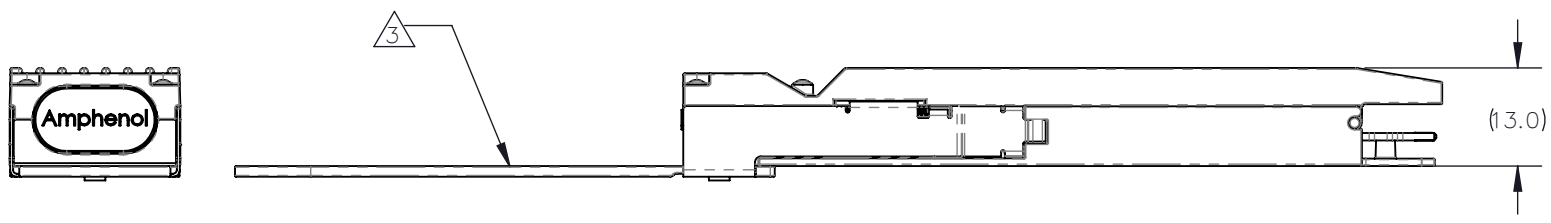
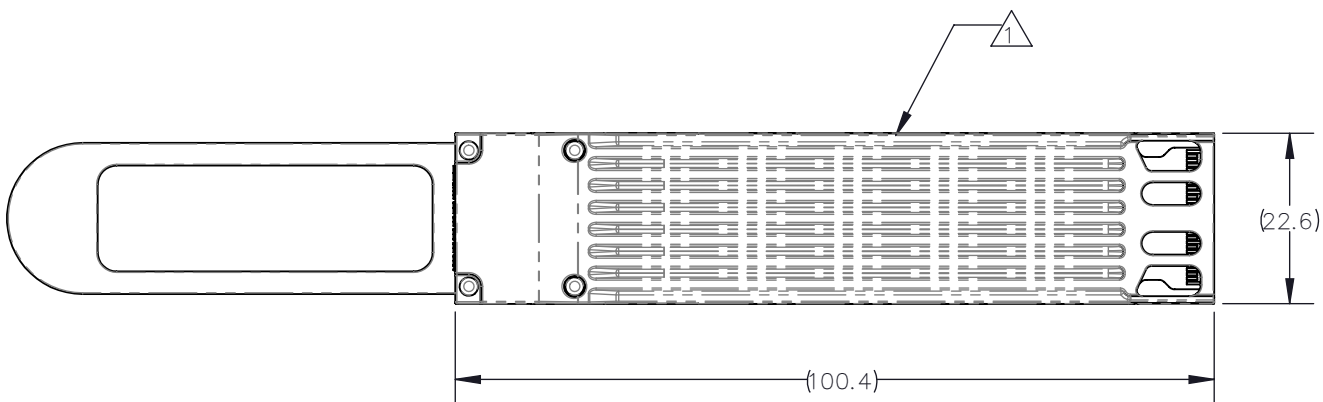


TABLE 1		
AHSP P/N	ACD P/N	DESCRIPTION
NLMAMB-C101	SF-NLMAMB0001-0001	OSFP LOOPBACK PASSIVE 0dB

REVISIONS						
ZONE	REV	ECN	DESCRIPTION	BY	DATE	APPROVED
ALL	A	MKHN-18121401	NEW RELEASE	HCL-PB	12/26/2018	M.HUSSAIN
	B	RGAO-20122401	CHANGED 'TABLE 1' TO 'TABLE 2'. ADDED TABLE 1 TO ZONE D8. CHANGED THE TITLE BAR 'NLMAMB-C101' TO 'SEE TABLE 1'.	N.ZENG	12/24/2020	Y.CHEN
	C	RGAO-21020304	ADDED DESCRIPTION COLUMN TO TABLE 1.	N.ZENG	2/4/2021	Y.CHEN

TABLE 2	
ITEM No.	DESCRIPTION
1	PLUG OSFP REFERENCE OSFP MSA
2	LABEL, PLUG - AHSP P/N, REV, DATE CODE, CoO, 0dB, 0W & SERIAL NUMBER
3	LANYARD, UL 94V-0



- NOTES:
- THIS DRAWING IS RESERVED FOR AMPHENOL CABLES ON DEMAND.
  - ASSEMBLIES SHALL BE COMPLIANT TO OSFP MSA (APPENDIX X) SPECIFICATION.
  - EPROM CONTENT SHALL BE COMPLIANT WITH OSFP MSA SPECIFICATIONS FOR XXGB ASE-OSFP. EPROM REVISION IS EQUAL TO CUSTOMER PART NUMBER REVISION UNLESS OTHERWISE NOTED.
  - MODULE ASSEMBLIES MUST MEET SHIELDING EFFECTIVENESS REQUIREMENTS OF 35dB FROM 1-10GHz AND 30dB FROM 10-18GHz.

TOLERANCES		DWN	12/14/2018
0.0	± 0.1	M.HUSSAIN	12/14/2018
0.00	± 0.08	CHK	12/14/2018
0.000	± -	M.HUSSAIN	12/14/2018
ANGLES	± 1.0°	APVD	12/14/2018
UNLESS OTHERWISE SPECIFIED DIMENSIONS ARE IN MM			

**Amphenol AHSP**  
 A Division of Amphenol Corporation  
 200 Innovative Way, Suite 201, Nashua, N.H. 03062 (603) 879-3000

INTERPRET PER ASME Y14.5

CODE IDENT 31413

**CUSTOMER USE DRAWING**

TITLE		SH	1
LOOPBACK, OSFP PASSIVE		REV	C
PART NO.	SEE TABLE 1	REV	N/A
DRAWING NO.	C-NLMAMB-C101	REV	C
SIZE	B	SCALE	1:1
		SHEET	1 OF 1

DWG NO. C-NLMAMB-C101 SH 1 REV C