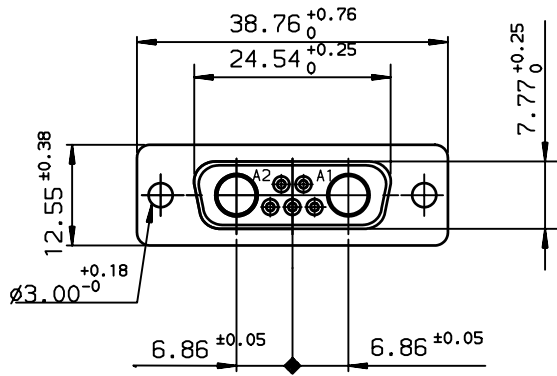
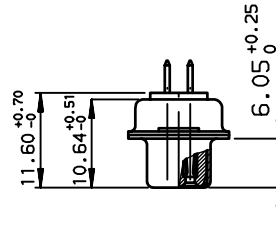
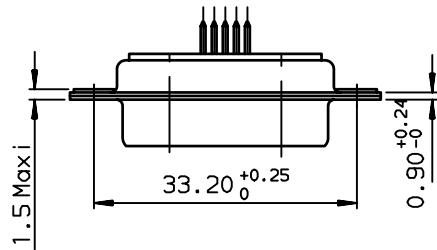


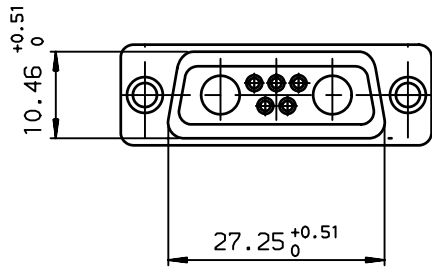
A



B

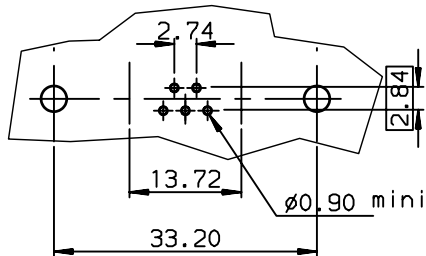


C



LAYOUT DIMENSIONS (after plating)
CONNECTOR SIDE VIEW

D



DA7W2S300A00LF
PART-NUMBER

GENERAL CHARACTERISTICS AND ROHS INFORMATIONS:
SEE DRAWING C01-8639-0000

European Views

www.fciconnect.com		surface ISO 1302	tolerance std ISO 406 ISO 1101	projection mm	size A3	Scale 1.5
		TOLERANCES UNLESS OTHERWISE SPECIFIED				
Dr	PESSON	2005/12/07	0.X		±0.1	ECN LS06-0095
Eng	PESSON	2005/12/07	0.XX	±0.1		
Chr	LEGARE	2005/12/07	0.XX* ±2*	0.XXX	±0.1	
Appr	LEGARE	2005/12/07	Product family		D-SUB	Spec ref -
		SOCKET CONNECTOR WITH STRAIGHT CONTACTS .			dwg no C01-8639-2247	Rev. B
catalog no					CUSTOMER	sheet 1 of 1

rev	ecn no	dr	date
A	LS05-0106	MPE	2005/12/07
B	LS06-0095	LGO	2006/06/15
-	-	-	-
-	-	-	-
-	-	-	-
-	-	-	-



Copyright FCI.