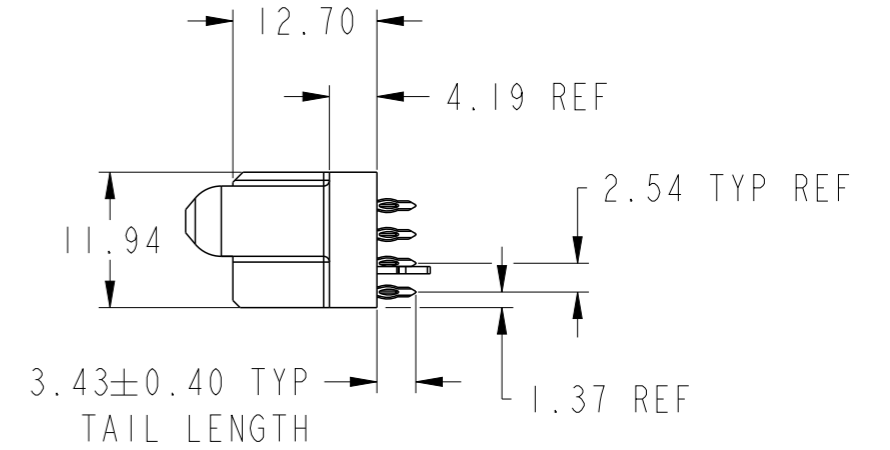
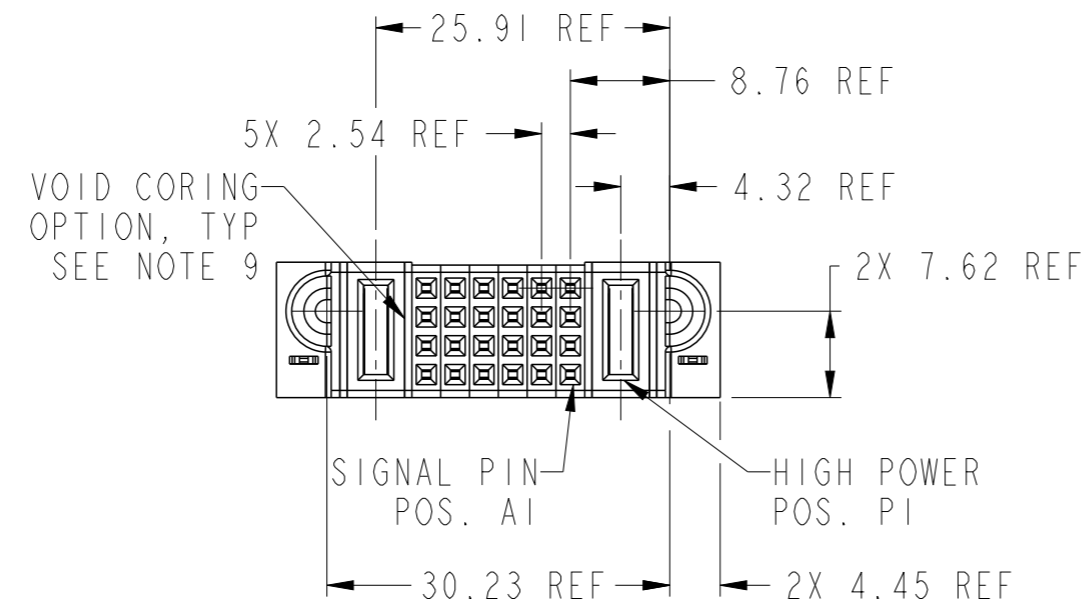
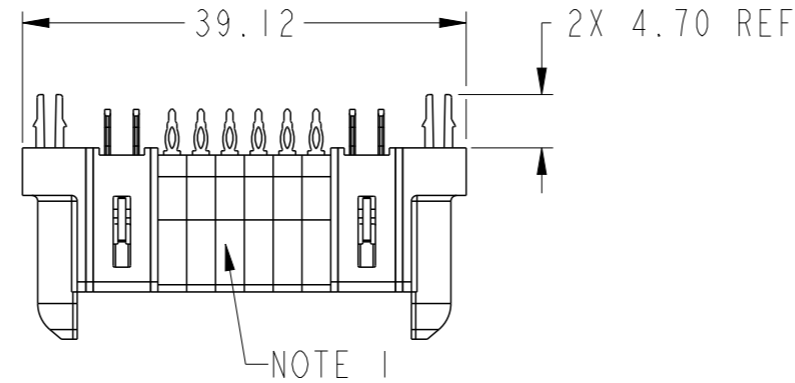
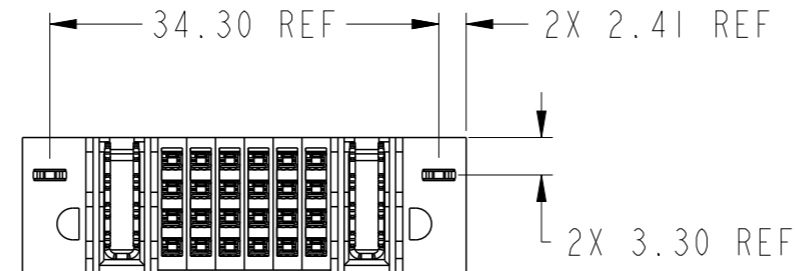


PRODUCT NUMBER SEE SHEET 2

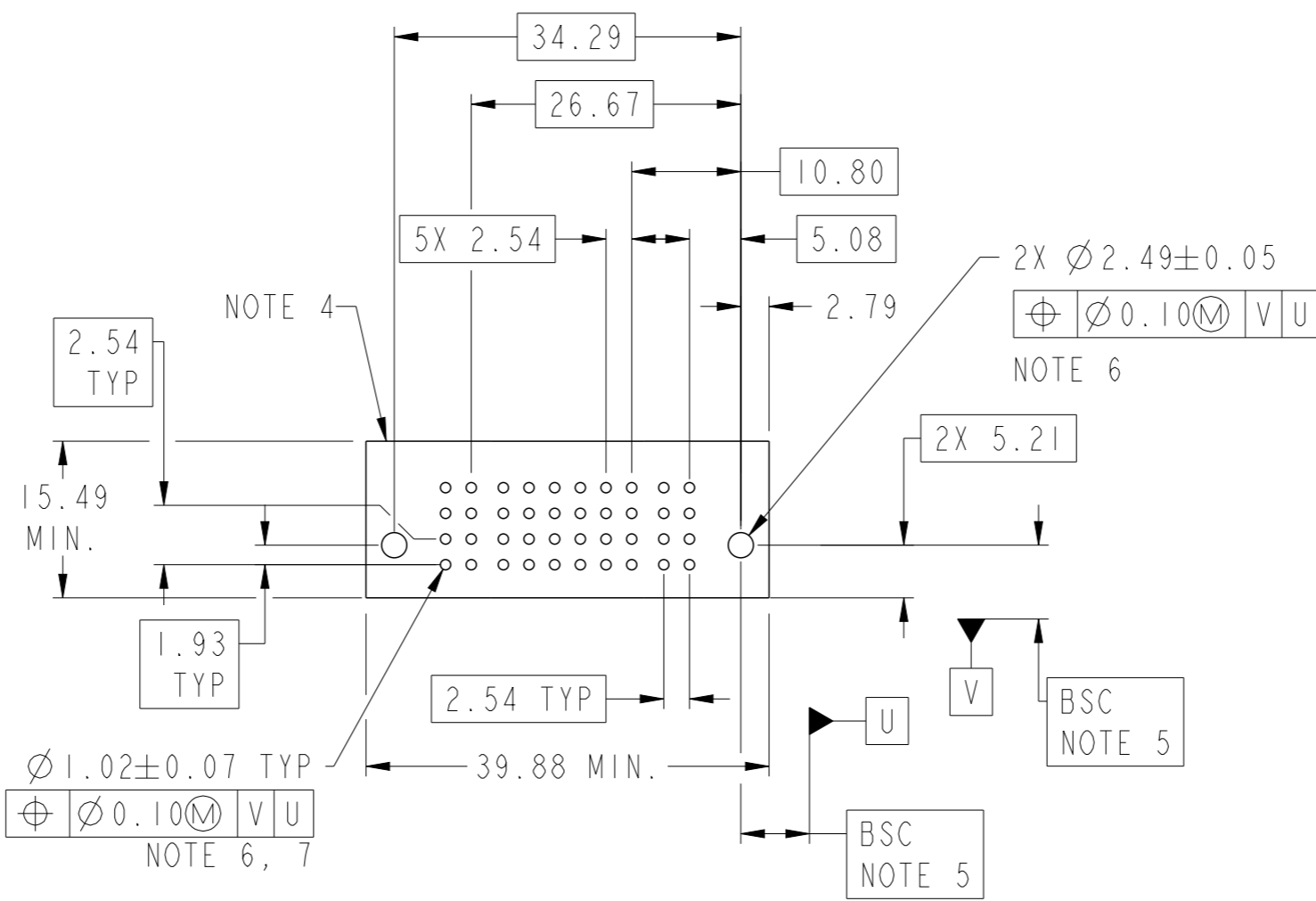


Copyright FCI.

| | | | | | | | | | | |
|---|--|---|----------------|------------|------------------------|---|-------------|-------------------------|-----------|-------|
| spec ref | | dr | Helen Zhang | 2013/06/20 | projection | MM | size | A3 | scale | 3:2 |
| tolerance std | | eng | Xie Bob | 2014/01/10 | | | ecn no | | - | |
| ASME Y14.5 | | chr | - | - | | | rel level | | Released | |
| TOLERANCES UNLESS OTHERWISE SPECIFIED surface ✓ linear | | appr | Pei-Ming Zheng | 2014/01/10 | product family | | PowerBlade+ | | rel level | |
| | | 0.X ±0.50 0.XX ±0.25 0.XXX ±0.10 ASME Y14.5 angular 0° ±2° | | | | IHP + 24S + IHP VT PRESSFIT RECEPTACLE | | dwg no 10106269-2006202 | | rev A |
| | | www.fci.com | | cat. no. | Product - Customer Drw | | | sheet 1 of 3 | | |

| | | | | | | | | | | | |
|-----------------------------------|--------------|----|----|--------|---|---|---|---|---|----|----|
| PRODUCT NO. 10106269-2006202LF | ROWS DCBA | E1 | P | SIGNAL | | | | | | P | E2 |
| | | | | P2 | 6 | 5 | 4 | 3 | 2 | | |
| | | | HG | F | F | F | F | F | F | HG | |
| | | | HA | F | F | F | F | F | F | HA | |
| | | | | F | F | F | F | F | F | | |
| | | | | F | F | F | F | F | F | | |

| CODE | DESCRIPTION |
|------|-------------------------------|
| F | STD SIGNAL CONTACT |
| HA | METAL HOLD DOWN |
| HG | STD HIGH POWER CONTACT (3.43) |



Copyright FCI.

| | | | | | | | | | |
|-------------|----------------|------------|------------------------|-------------|-----------|--------------|------------------|-----|-----|
| dr | Helen Zhang | 2013/06/20 | projection | MM | size | A3 | scale | 3:2 | |
| eng | Xie Bob | 2014/01/10 | | | ecn no | | | | |
| chr | - | - | | | - | | | | |
| appr | Pei-Ming Zheng | 2014/01/10 | product family | PowerBlade+ | rel level | | | | |
| | | | | | Released | | | | |
| | | | IHP + 24S + IHP | | dwg no | | 10106269-2006202 | | rev |
| www.fci.com | | | VT PRESSFIT RECEPTACLE | | | | A | | |
| cat. no. | | | Product - Customer Drw | | | sheet 2 of 3 | | | |

A

B

C

D

A

B

C

D

NOTES:

- 1) "FCI", PART NUMBER AND DATE CODE TO BE MARKED ON THIS SURFACE.
THE P/N CAN BE OMITTED IF THERE IS NOT ENOUGH SPACE ON THIS SURFACE.
- 2) MATERIALS:
-HOUSING - GLASS FILLED WITH HIGH TEMP THERMOPLASTIC, UL94V-0.
-SIGNAL CONTACT - COPPER ALLOY.
-POWER CONTACT - HIGH CONDUCTIVITY COPPER ALLOY.
- 3) PLATING SPECIFICATION REFER TO FCI 10123565
- 4) DENOTES CONNECTOR KEEP OUT ZONE.
- 5) DATUM AND BASIC DIMENIONS WERE ESTABLISHED BY CUSTOMER.
- 6) ALL HOLE DIAMETERS ARE FINISHED HOLE SIZES.
- 7) 1.15 ± 0.025MM DRILLED HOLE PLATED WITH 0.00762MM MIN Sn
OVER 0.0254-0.0762MM Cu PLATING TO ACHIEVE A 1.02 ± 0.07MM HOLE.
- 8) PRODUCT SPECIFICATION REFER TO FCI GS-12-658.
APPLICATION SPECIFICATION REFER TO FCI GS-20-141.
PRODUCT PACKAGED IN TRAYS, REFER TO FCI GS-14-1502.
- 9) THE VOID CORING IN BETWEEN POWER MODULES, SIGNAL
MODULES AND END MODULES ARE OPTIONAL AND THE SHAPE
MAY BE DIFFERENT FOR OPTIMIZE THE MOLDING PROCESS. THE
VOID CORING WILL NOT EFFECT TO PRODUCT FUNCTION.



Copyright FCI.

| | | | | | | | | |
|-------------|----------------|------------|------------------------|-------------|---|----------------------------|----------|-----|
| dr | Helen Zhang | 2013/06/20 | projection | MM | size | A3 | scale | 1:1 |
| eng | Xie Bob | 2014/01/10 | | | ecn no | - | | |
| chr | - | - | product family | PowerBlade+ | rel level | Released | | |
| appr | Pei-Ming Zheng | 2014/01/10 | | | IHP + 24S + IHP VT PRESSFIT RECEPTACLE | dwg no 10106269-2006202 | rev A | |
| www.fci.com | | cat. no. | Product - Customer Drw | | | sheet 3 of 3 | | |