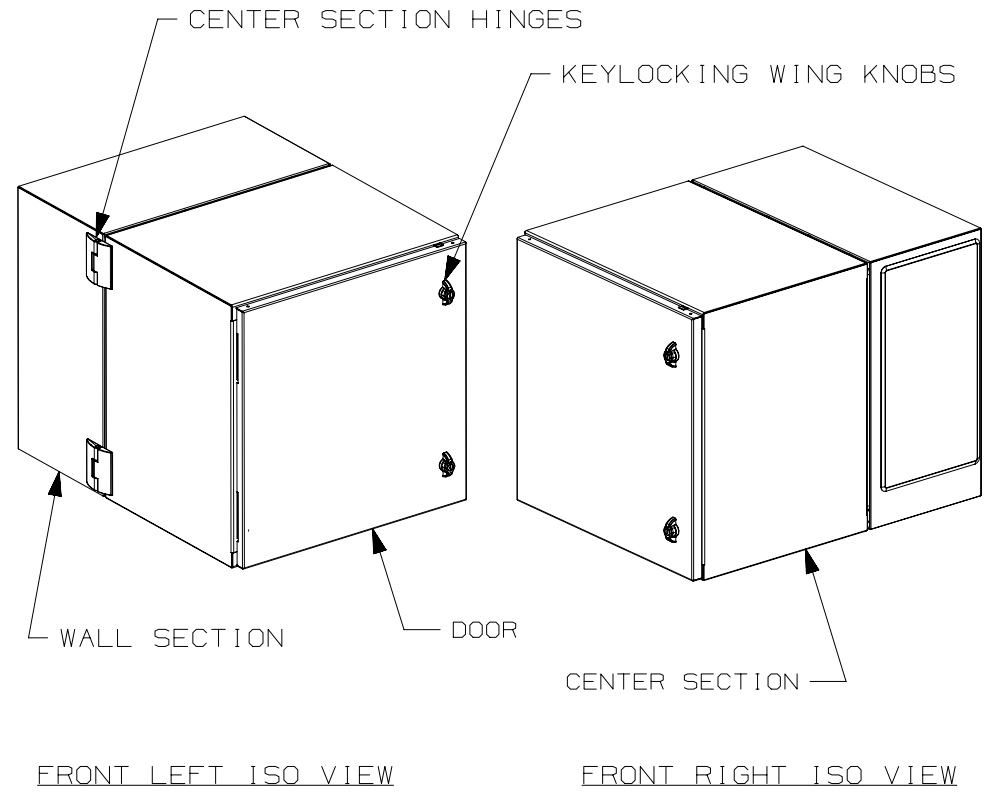


THIS COPY IS PROVIDED ON A RESTRICTED BASIS AND IS NOT TO BE USED IN ANY WAY DETRIMENTAL TO THE INTERESTS OF PANDUIT CORP.

**NOTES:**

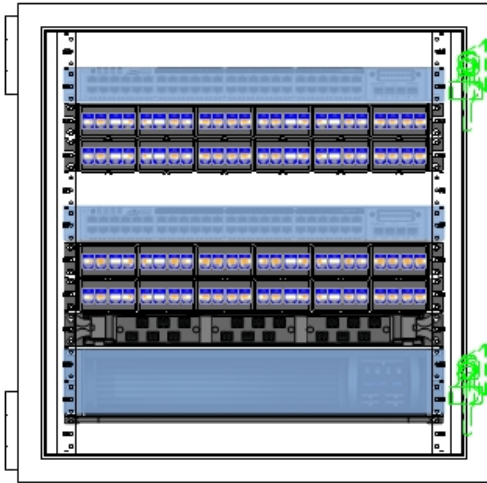
1. VISIT OUR ON-LINE CATALOG AT WWW.PANDUIT.COM FOR A LIST OF CURRENT PARTS APPLICABLE FOR USE WITH THIS PRODUCT AND INSTRUCTION SHEET IA-CD-0004.
2. DIMENSIONS IN PARENTHESES ARE METRIC [ mm ].
3. CAN BE USED WITH ANY 19" CEA STANDARD PANEL.
4. PARTS SUPPLIED:
  - 12RU DUAL HINGE NEMA 4/12 ENCLOSURE
  - KEYLOCKING WING KNOBS ARE INCLUDED PROVIDING ACCESS CONTROL TO THE ENCLOSURE.
  - (2) KEYS ARE INCLUDED WITH EACH ENCLOSURE.
  - ACCOMODATIONS FOR AN OPTIONAL AIR CONDITIONER.
  - INSTALLED FRONT AND REAR CAGE NUT RAILS IN OPTIMIZED POSITIONS FOR EQUIPMENT MOUNTING.
  - INSTALLED FIBER ENCLOSURE (72 FIBER CAPACITY)
  - INSTALLED (2)48-PORT PATCH PANELS
  - INSTALLED CABLE MANAGEMENT
  - INSTALLED DOOR GROUND WHIPS, EQUIPMENT GROUND WHIPS (ONE END)
  - INSTALLED GROUND BAR
  - INFRASTRUCTURE GROUND CABLE
  - 10" LONG DIN RAIL MOUNTING PROVISION
  - CABLE/FIBER/POWER PENETRATION RECOMMENDATION TEMPLATE
  - INSTRUCTIONS FOR CABLE ROUTING AND MANAGEMENT
5. CENTER HINGED SECTION  
MAXIMUM LOAD RATING: 250 LBS [ 113.4 kg ].
6. MAXIMUM EQUIPMENT DEPTH: 22.69" (576mm).  
IF NO THIRD CABLE TRUNK IS UTILIZED, 24.9" (632mm) IS AVAILABLE.



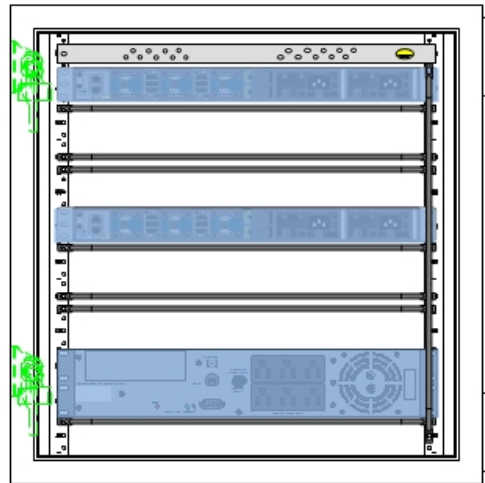
SHIPPING LENGTH	44" (1117.6 mm)
SHIPPING WIDTH	44" (1117.6 mm)
SHIPPING HEIGHT	35" (889 mm)
SHIPPING WEIGHT	184 lbs. (83.5 kg.)
ENCLOSURE WEIGHT	141 lbs. (64 kg.)

<p>TITLE</p> <p align="center"><b>ZDF242430 PRECONFIGURED 24" INDUSTRIAL DISTRIBUTION FRAME</b></p> <p align="center">CUSTOMER DRAWING</p>					
ITEM REVISION NAME			00155LAA/01		
DATASET FILE NAME			00155LAA_DC-01A		
<p>UNLESS OTHERWISE SPECIFIED, DIMENSIONAL TOLERANCES ARE: IN [ mm ]</p> <p>.x ± .1 [ 2.54 ]      .xxx ± .015 [ 0.38 ]</p> <p>.xx ± .03 [ 0.76 ]      ANGLES ± 5 °</p>					
<p>THIRD ANGLE PROJECTION</p>				<p>MATERIAL:</p> <p><b>MATERIAL: DOOR: 16 GA. STEEL CENTER AND WALL SECTION: 14 GA. STEEL FINISH: RAL 7035 LIGHT-GRAY, LOW-GLOSS, LIGHTLY TEXTURED POLYESTER POWDER PAINT</b></p>	
DRAWING NUMBER:					00155LAA_DC-01A
DRAWN BY	DATE	CHK	SCALE	SHT 1 OF 4	
JBO	02/02/17	DAJP	NONE	A	

01A	02/02/17	JBO	DAJP	SVASH	RELEASED	00155LAA
REV	DATE	BY	CHK	APR	DESCRIPTION	ECN

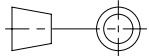


Front View



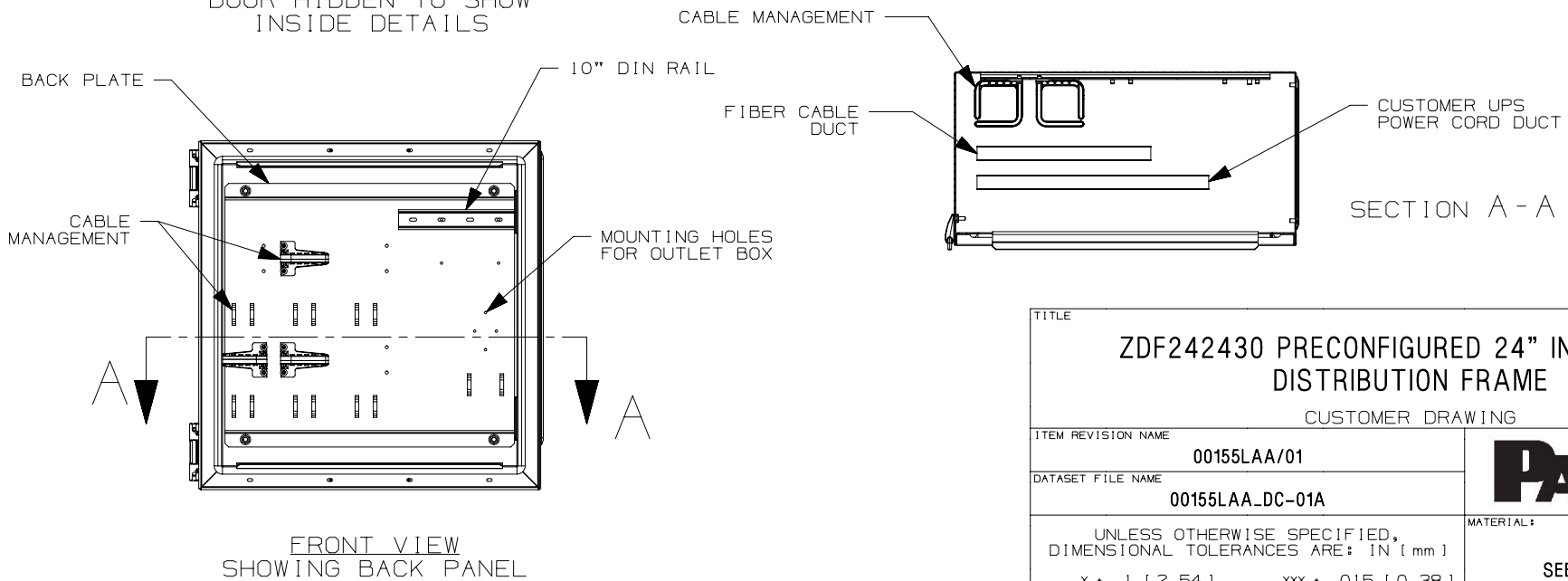
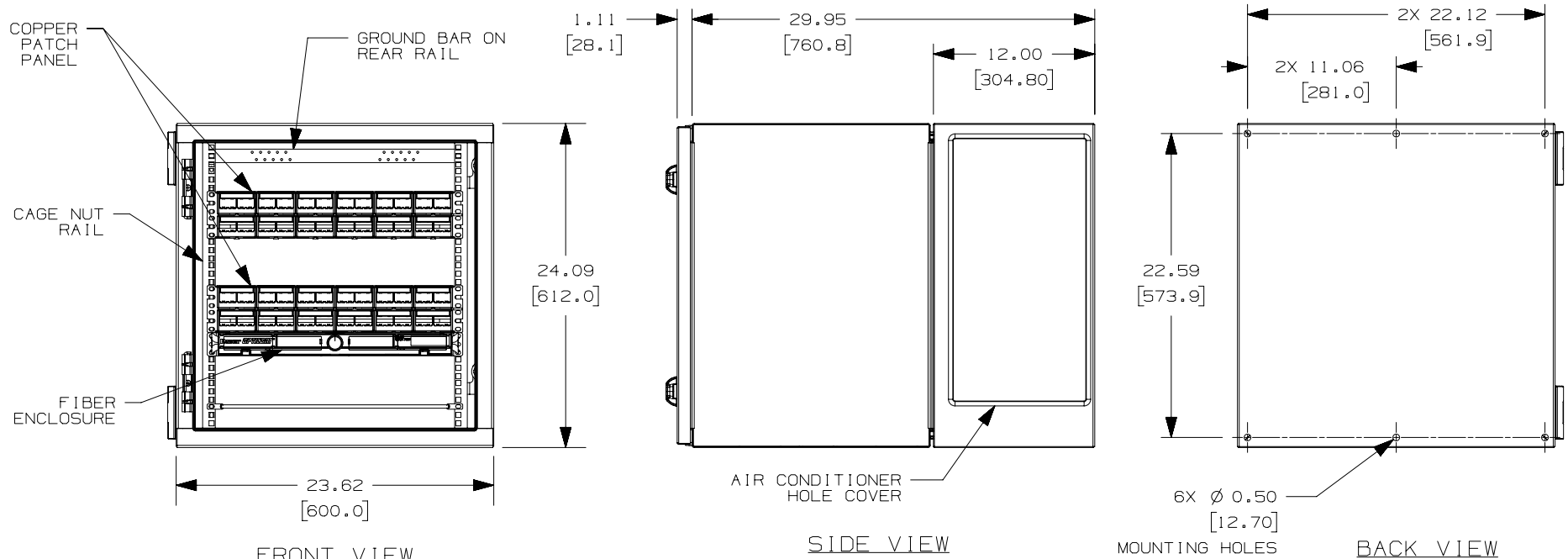
Rear View

- RU 12 PANDUIT RGRB19CN GROUND BAR
- RU 11 CUSTOMER SWITCH – “B”
- RU 9-10 PANDUIT CPPL48WBLY 48 PORT PATCH PANEL
  
- RU 8 open
- RU 7 CUSTOMER SWITCH – “A”
- RU 5-6 PANDUIT CPPL48WBLY 48 PORT PATCH PANEL
  
- RU 4 PANDUIT FRME1U FIBER RACK MOUNT ENCLOSURE
- RU 2-3 CUSTOMER UPS
  
- RU 1 open

TITLE		<b>ZDF242430 PRECONFIGURED 24” INDUSTRIAL DISTRIBUTION FRAME</b>	
		CUSTOMER DRAWING	
ITEM REVISION NAME		00155LAA/01	
DATASET FILE NAME		00155LAA_DC-01A	
UNLESS OTHERWISE SPECIFIED, DIMENSIONAL TOLERANCES ARE: IN ( mm )		<b>PANDUIT</b>	
.x ± .1 [ 2.54 ] .xxx ± .015 [ 0.38 ]			
.xx ± .03 [ 0.76 ] ANGLES ± 5 °			
		MATERIAL:	
		SEE SHEET 1 NOTES	
		DRAWING NUMBER:	
		00155LAA_DC_01A	
DRAWN BY	DATE	CHK	SCALE
JBO	02/02/17	DAJP	NONE
REV		APR	SIZE
01A		02/02/17	A

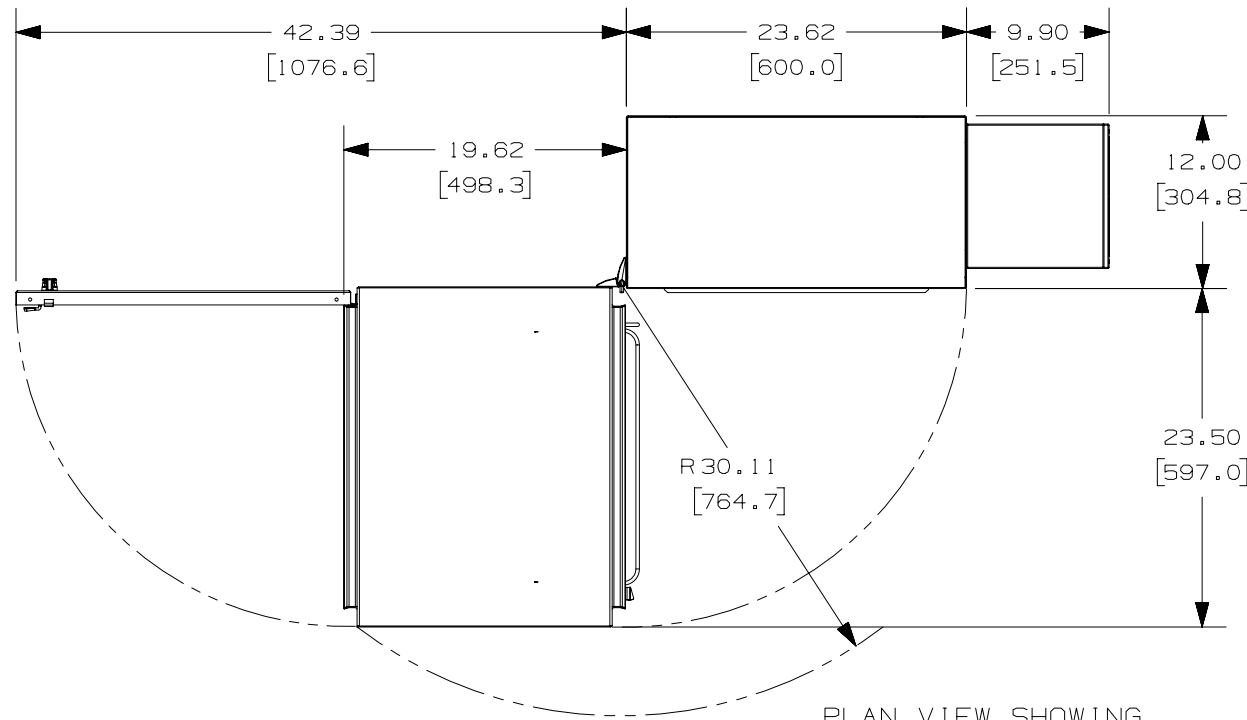
01A	02/02/17	JBO	DAJP	SVASH	SEE SHEET 1 FOR REVISION CONTROL	00155LAA
REV	DATE	BY	CHK	APR	DESCRIPTION	ECN

THIS COPY IS PROVIDED ON A RESTRICTED BASIS AND IS NOT TO BE USED IN ANY WAY DETRIMENTAL TO THE INTERESTS OF PANDUIT CORP.

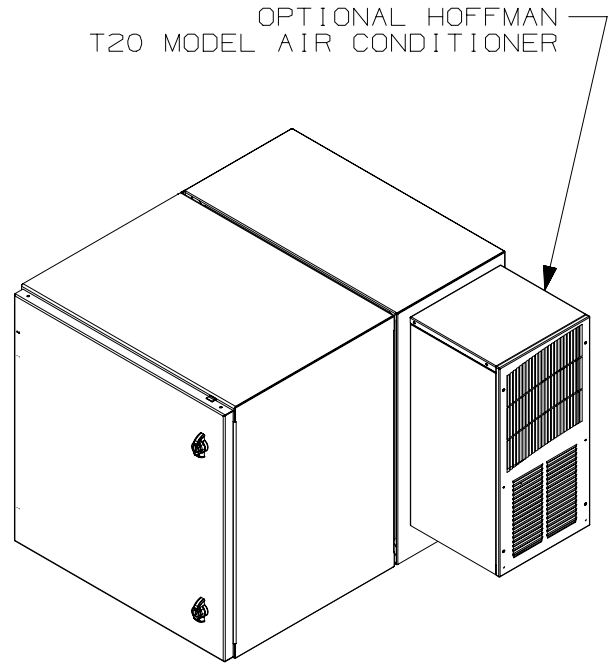


TITLE		ZDF242430 PRECONFIGURED 24" INDUSTRIAL DISTRIBUTION FRAME	
CUSTOMER DRAWING			
ITEM REVISION NAME	00155LAA/01	<b>PANDUIT</b>	
DATASET FILE NAME	00155LAA_DC-01A		
UNLESS OTHERWISE SPECIFIED, DIMENSIONAL TOLERANCES ARE: IN (mm)		MATERIAL:	
.x ± .1 [2.54]	.xxx ± .015 [0.38]	SEE SHEET 1 NOTES	
.xx ± .03 [0.76]	ANGLES ± 5°	DRAWING NUMBER:	
THIRD ANGLE PROJECTION		00155LAA_DC-01A	
DRAWN BY	DATE	CHK	SCALE
JBO	02/02/17	DAJP	NONE
REV	DATE	BY	CHK
01A	02/02/17	JBO	DAJP
APR		SVASH	
DESCRIPTION		ECN	SIZE
SEE SHEET 1 FOR REVISION CONTROL		00155LAA	A
		SHT 3 OF 4	

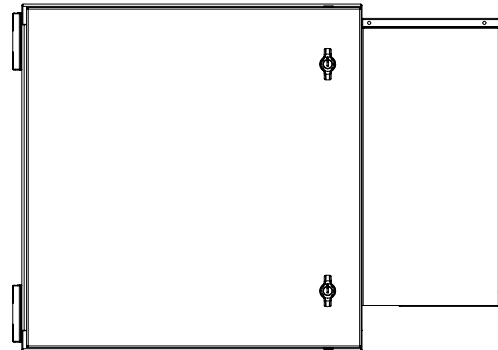
THIS COPY IS PROVIDED ON A RESTRICTED BASIS AND IS NOT TO BE USED IN ANY WAY DETRIMENTAL TO THE INTERESTS OF PANDUIT CORP.



PLAN VIEW SHOWING OPEN ENCLOSURE



ISOMETRIC VIEW SHOWING OPTIONAL AIR CONDITIONER



TITLE										ZDF242430 PRECONFIGURED 24" INDUSTRIAL DISTRIBUTION FRAME									
										CUSTOMER DRAWING									
ITEM REVISION NAME					00155LAA/01					<b>PANDUIT</b>									
DATASET FILE NAME					00155LAA_DC-01A														
UNLESS OTHERWISE SPECIFIED, DIMENSIONAL TOLERANCES ARE: IN (mm)										MATERIAL:									
.x ± .1 [2.54]					.xxx ± .015 [0.38]					SEE SHEET 1 NOTES									
.xx ± .03 [0.76]					ANGLES ± 5°					DRAWING NUMBER:									
					THIRD ANGLE PROJECTION					00155LAA_DC-01A									
DRAWN BY		DATE		CHK		SCALE		SHT 4 OF 4		SIZE		A							
JBO		02/02/17		DAJP		NONE													

01A	02/02/17	JBO	DAJP	SVASH	SEE SHEET 1 FOR REVISION CONTROL	00155LAA
REV	DATE	BY	CHK	APR	DESCRIPTION	ECN