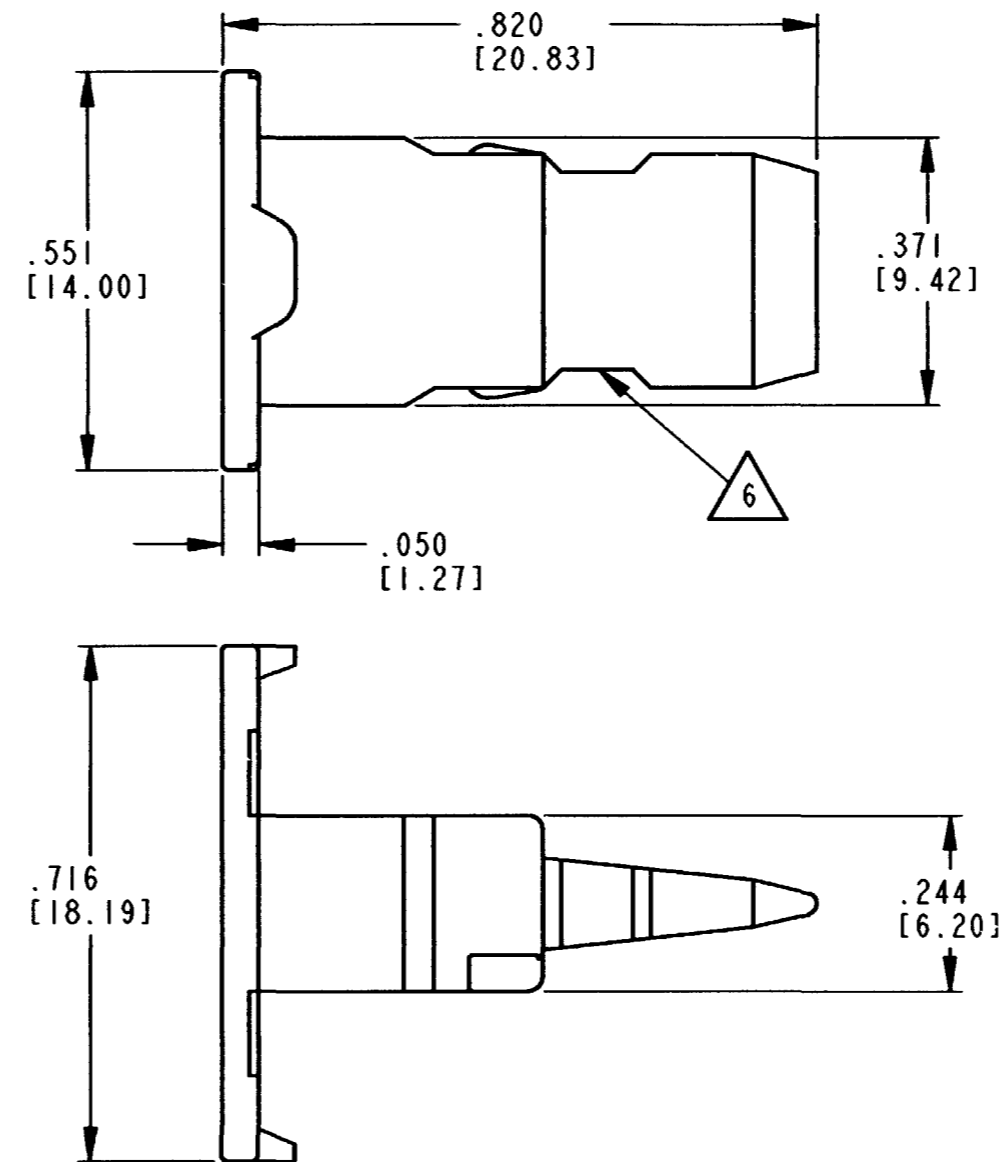
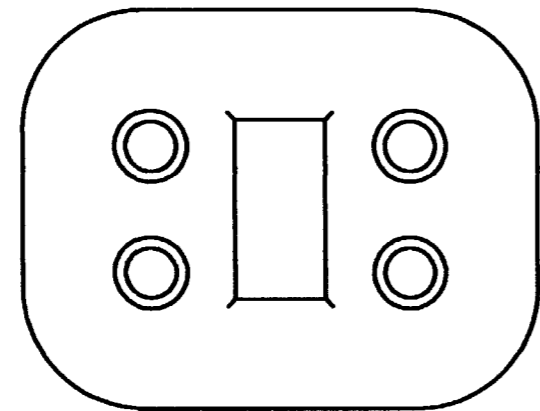


REV  
B  
W4S-P012

REVISIONS			
SYM	DESCRIPTION	DATE	APPROVED
NC	NEW RELEASE PER EO P15146	2/17/97	R.D.R.
A	REVISED PER E.O. P18199	6/30/03	R.D.R.
B	REVISED PER E.O. P19968	11-17-08	ADR



- △ 6. CUTOUT FEATURE OPTIONAL, 2 PLACES.
- 5. MATERIAL: PLASTIC; COLOR: GREEN
- 4. W4S-P012 WEDGE IS USED WITH DT04-4S-P012.
- 3. CONSULT FACTORY FOR APPLICATION.
- 2. DIMENSIONS ARE ±.025[.64] UNLESS OTHERWISE SPECIFIED.

NOTES: 1. ALL DIMENSIONS ARE IN INCHES [MILLIMETERS].

SIGNATURE & DATE	
DR	H. TRAN NOV-20-96
CHK	<i>[Signature]</i> 11/14/08
PE	<i>[Signature]</i> 11/13/08
APPD	<i>[Signature]</i> 11-13-08
SCALE	4:1 WT

WEDGE LOCK  
FOR  
4 CONTACT PLUG  
DT SERIES

ENVELOPE

EP	MATL. CODE
3850 INDUSTRIAL AVE. HEMET, CA 92545	
<b>B</b>	<b>W4S-P012</b>
DWG SIZE	CODE 11139 SHEET   OF