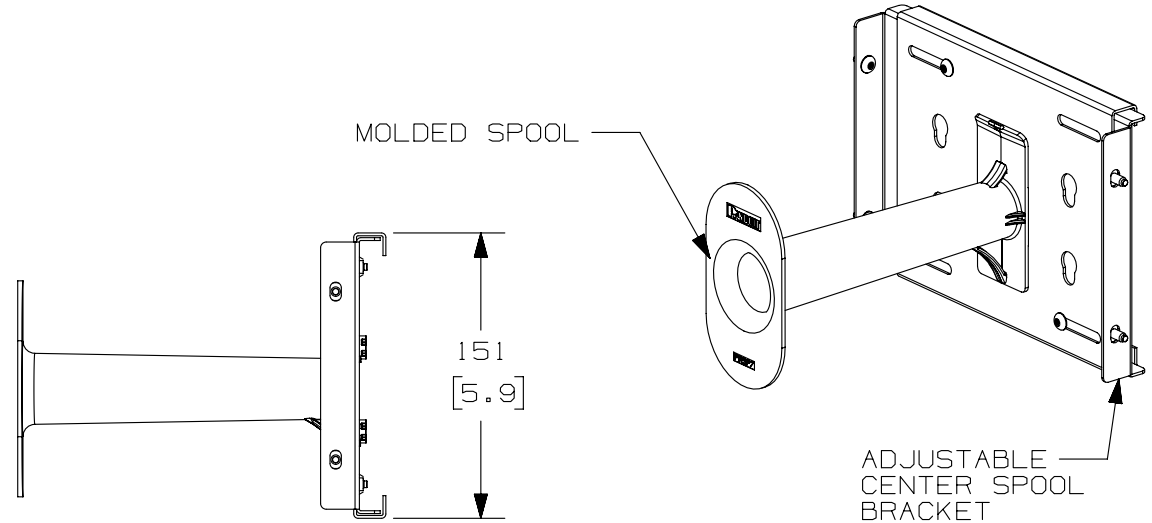
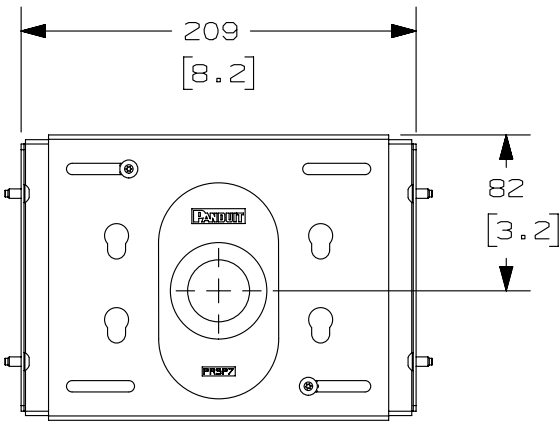
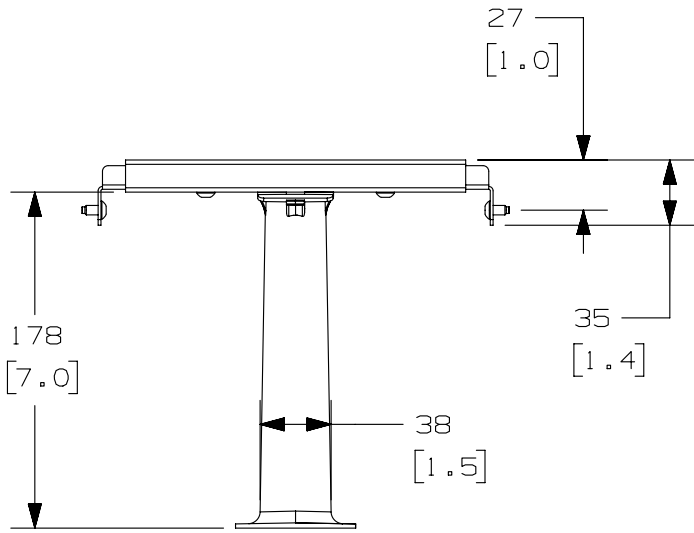


THIS COPY IS PROVIDED ON A RESTRICTED BASIS AND IS NOT TO BE USED IN ANY WAY DETRIMENTAL TO THE INTERESTS OF PANDUIT CORP.



NOTES:

1. IDENTIFICATION: NETWORK ADJUSTABLE CENTER SLACK SPOOL

PART NO.
NACSS

2. PRIMARY DIMENSIONS ARE IN MILLIMETERS (mm).

3. PARTS SUPPLIED:
(1)-CENTER SPOOL BRACKET
(1)-MOLDED SPOOL (PN: PRSP7)
(1)-HARDWARE KIT
(4) M5 X 0.8mm SCREWS
(1)-INSTRUCTION SHEET

4. MOUNTS BETWEEN TWO NETWORK CABINETS TO SIDE OF CABINET POSTS.

5. SPOOL BRACKET IS ADJUSTABLE FROM 209.6 [8.25] TO 266.7 [10.5] HORIZONTALLY.

TITLE
(NACSS) NETWORK ADJUSTABLE CENTER SLACK SPOOL

CUSTOMER DRAWING

ITEM REVISION NAME
13V377GX/00.PRT

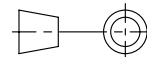
DATASET FILE NAME
13V377GX_DC/00A.PRT

UNLESS OTHERWISE SPECIFIED, DIMENSIONAL TOLERANCES ARE:
INCHES +/- 0.03 METRIC - MILLIMETER +/- 0.8
X.X +/- 0.018 X.X +/- 0.46 ANGLE +/- 1°
X.XX +/- 0.007 X.XX +/- 0.18



MATERIAL/COLOR:
N/A

DRAWING NUMBER:
13V377GX



THIRD ANGLE PROJECTION

OOA	6/19/13	PBS	RAMA	JDWE	RELEASED TO PRODUCTION	13V377GX
REV	DATE	BY	CHK	APR	DESCRIPTION	ECN

DRAWN BY	DATE	CHK	SCALE	SHT 1 OF 1	SIZE
PBS	6/19/13	RAMA	NONE		A