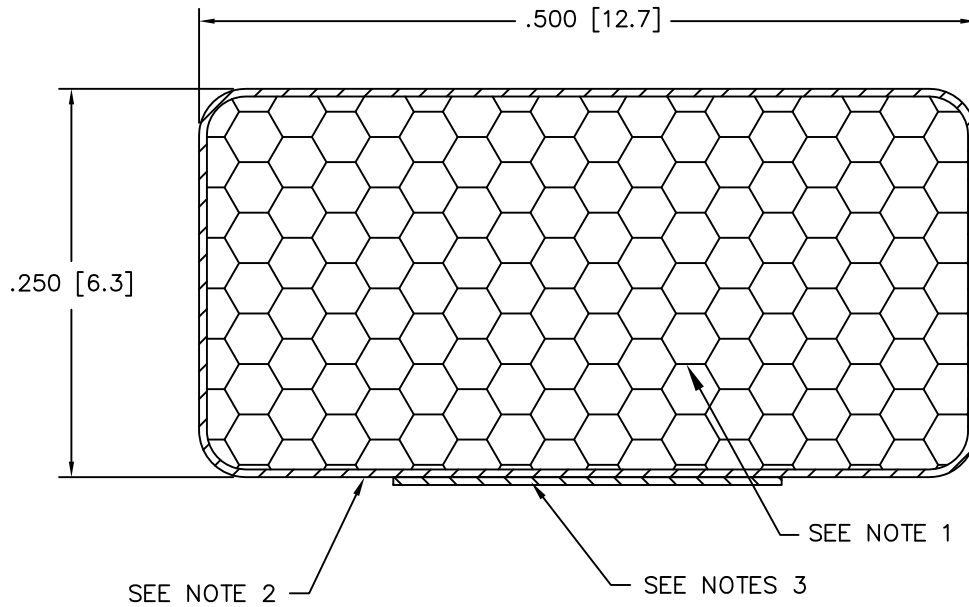


CONFIDENTIAL & PROPRIETARY

THIS INFORMATION IS CONFIDENTIAL AND PROPRIETARY TO LAIRD TECHNOLOGIES. IT MAY NOT BE DISCLOSED TO ANYONE, OTHER THAN LAIRD TECHNOLOGIES PERSONNEL, WITHOUT WRITTEN AUTHORIZATION FROM LAIRD TECHNOLOGIES.



NOTES:

1. FOAM: POLYURETHANE
2. FABRIC: NICKEL PET-TAF FR Ecogreen
3. TAPE: .250" TAPE HI-TEMP
4. LINER: NO EXTENDED RELEASE LINER
5. FABRIC SEAM LOCATION MAY VARY.
6. CARRIER: NO CARRIER
7. THIS PART IS RoHS COMPLIANT

REVISIONS: 1. TAPE WAS .187" - P08-006 - 1/21/08 FJG

TITLE:

SHIELDING GASKET

Dwg. or Part No.

4795-PA-51H

REV.

1

DRAWN
GIBILTERRA

DATE
10/02/07

SCALE:
1/1

DIMENSIONS ARE IN INCHES. UNLESS OTHERWISE SPECIFIED, TOLERANCES ARE AS FOLLOWS:

CHECKED BY:
FJG

DATE
10/02/07

RELEASED BY:
FJG

DATE
10/02/07

DECIMALS	LENGTH	TOLERANCE
.XX ± .03	0" - 6"	± .030"
.XXX ± .020	6" - 11"	± .050"
	11" - 48"	± .100"
ANGLES	48° - 70°	± .187°
	70° - 144°	± .250°

