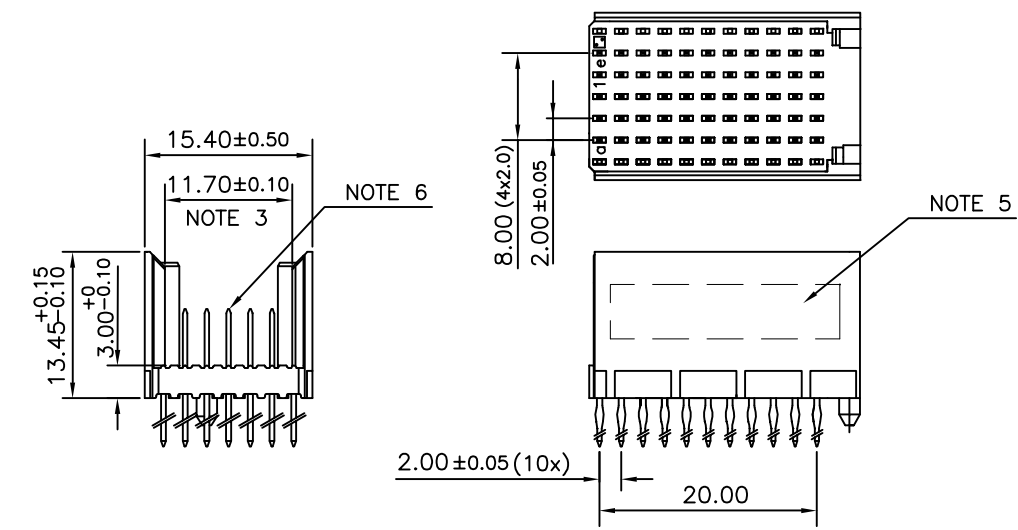


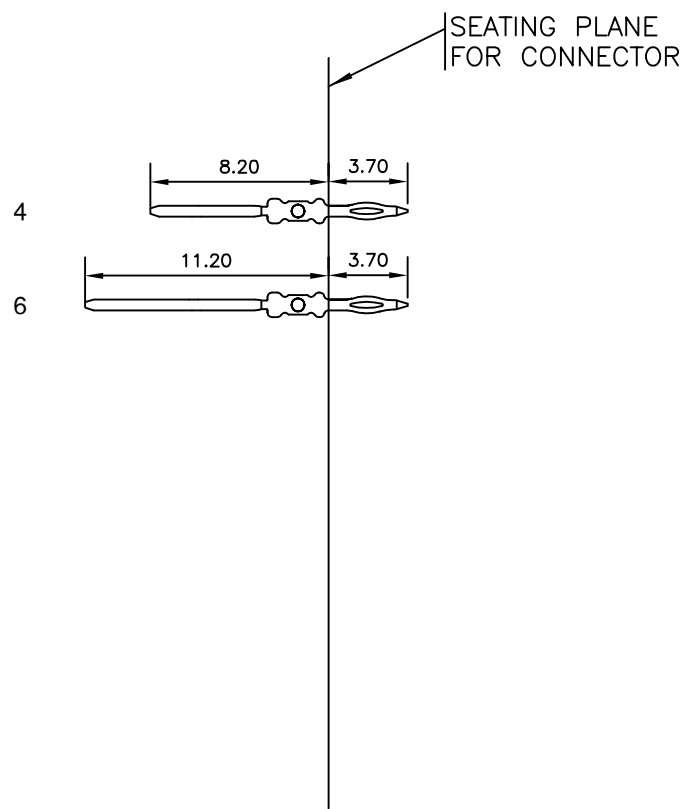
LOADING PATTERN MATING SIDE

f	0	0	0	0	0	0	0	0	0	0
e	4	4	4	4	4	4	6	6	6	6
d	4	4	4	4	4	4	6	6	6	6
c	4	4	4	4	4	4	6	6	6	6
b	4	4	4	4	4	4	6	6	6	6
a	6	6	6	6	6	4	6	6	6	6
z	0	0	0	0	0	0	0	0	0	0
P	0									
S	1						5			0

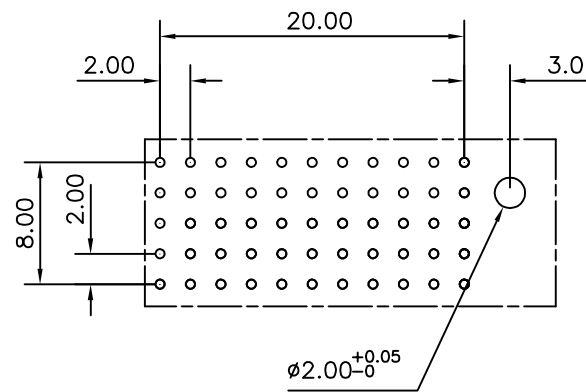
LOADED CONNECTOR ASSEMBLY (FOR EXAMPLE)



CONTACT OVERVIEW



LAY-OUT P.C.B.-HOLE



HM2P09PDK3G0 LEAD FREE INDICATOR : LF = LEAD FREE (DIGIT 15 & 16)
PLATING CODE (DIGIT 13 AND 14) (REF DRW NO. BS,C , 201844 , 003)

NOTES

- THIS PRODUCT IS CSA APPROVED.
 - THIS PRODUCT IS UL RECOGNIZED.
 - MEASURED AT THE BOTTOM.
 - MATERIAL CONTACT: PHOSPHORBRONZE
HOUSING: CREAM WHITE GLASS FILLED POLYESTER UL-94V0
 - CONNECTOR PRINTED WITH P/N AND DATE CODE.
 - FOR ACTUAL CONTACT LOADINGS, SEE LOADING PATTERN MATING SIDE.
 - SHAPE OF CONNECTOR HOUSING CAN ALTER DEPENDING ON PRODUCTION LOCATION
 - THIS PRODUCT (LF) MEETS EUROPEAN UNION DIRECTIVES AND OTHER COUNTRY REGULATIONS AS DESCRIBED IN GS-22-008
 - FOR RECOMMENDED PTH DIMENSIONS REFER DRAWING : BS, A , 201572 , 001
- CATALOG NO: HM2P09PDK3G0----

mat'l. code SEE NOTE 4		surface ISO 1302 ✓	tolerance ISO 406 ISO 1101	projection 	product family MILLIPACS
ltr	ecn no	dr	date	tolerances unless otherwise specified	
A	I08-0001	MINI	2008-01-05	angles 0°±1°	linear .0±0.2 .00±0.1
				dr	MINI K VANDANATH 2008-01-05
				enr	ALEX BABU 2008-01-05
				chr	ALEX BABU 2008-01-05
				appd	BIJU K PAUL 2008-01-05
sheet index	revision sheet	A	1		

FCI
 sheet 1 of 1 size A3
 BS, C , 203028, 794
 type Product Customer Drawing

Copyright FCI
 FCconnect.com