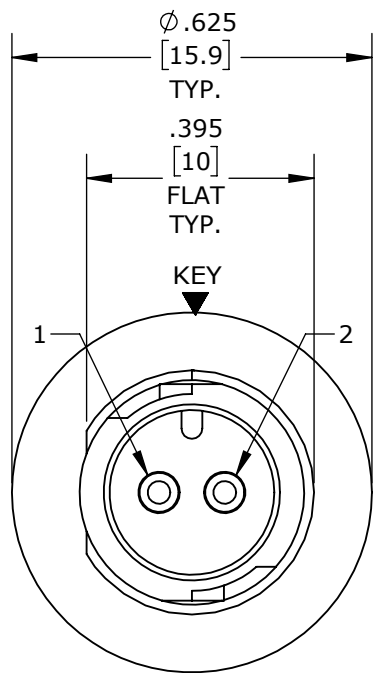


MFG. ENG.	APPROVED BY:	DATE:	QA	APPROVED BY:	DATE:
-----------	--------------	-------	----	--------------	-------

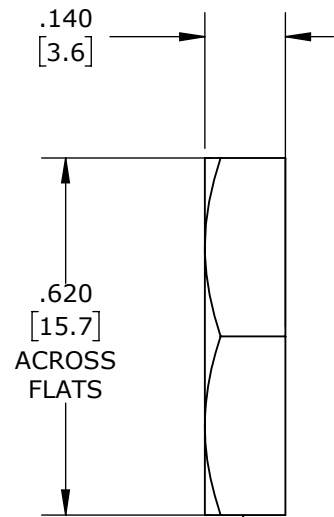
PART NO.	NO. OF PINS
W17282-2PG-P-300	2
W17282-3PG-P-300	3

**NOTES:**

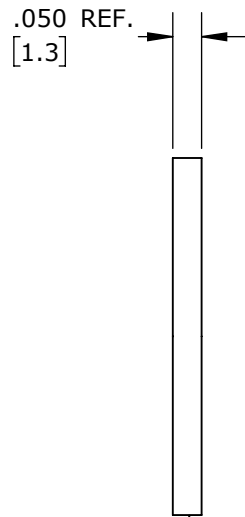
1. ALL PARTS ARE BULK PACKED.
2. CONTACTS ARE ASSEMBLED INTO PANEL CONNECTOR WITH SOLDER CUPS FACING TOP KEY DIRECTION.
3. REFER TO DRAWING HPMCSTD FOR CONTACT PATTERNS.
4. ALL DIMENSIONS ARE REFERENCE ONLY IN INCHES [mm], WITHIN ±0.015 UNLESS OTHERWISE NOTED.



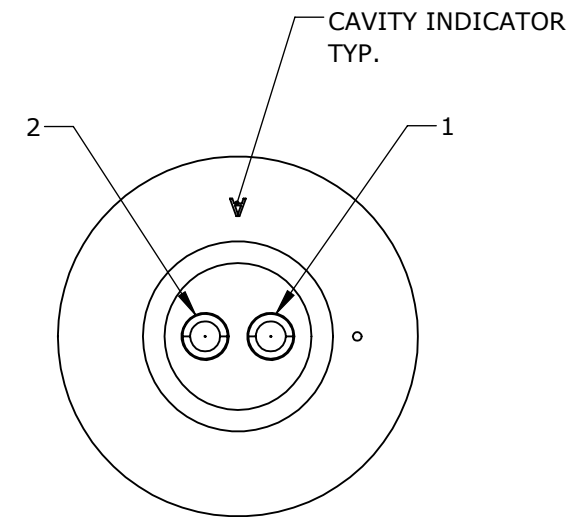
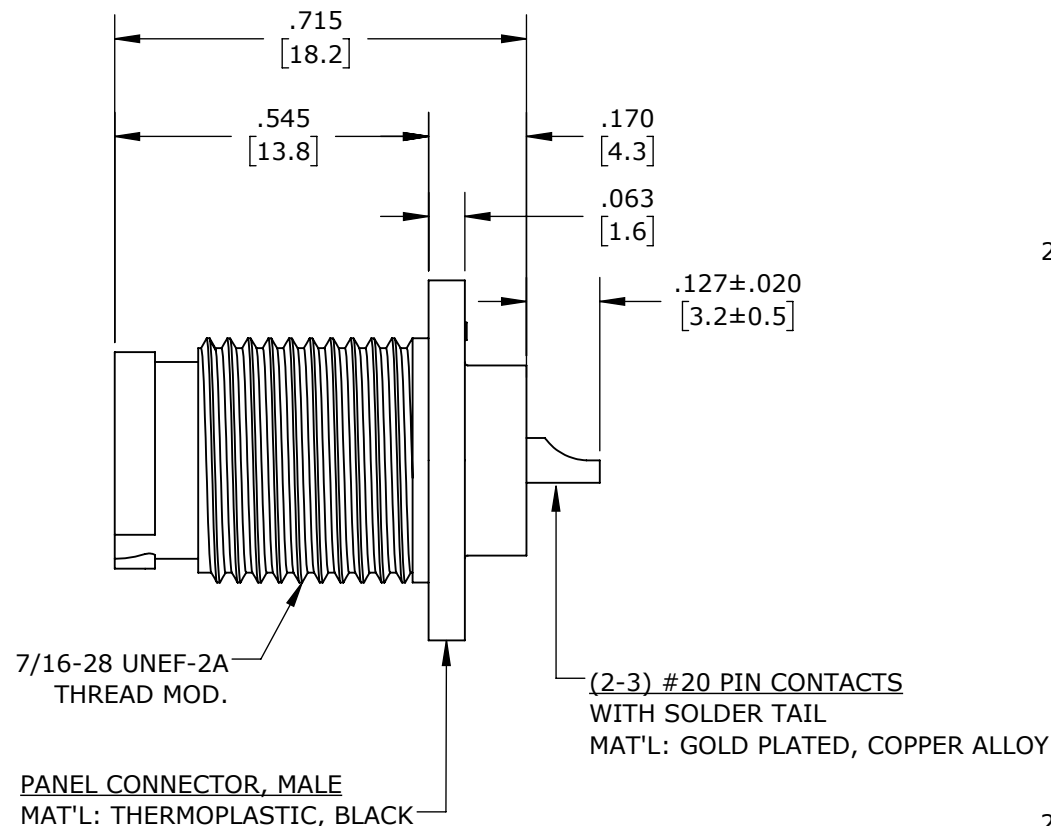
**FACE VIEW**  
W17282-2PG-P-300



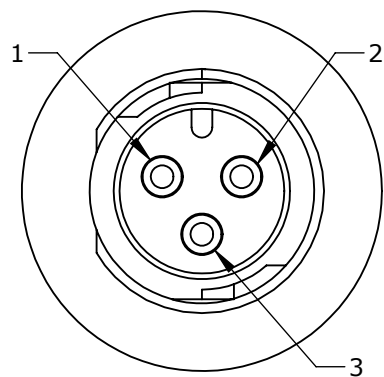
5/8 IN. HEX NUT  
MAT'L: THERMOPLASTIC, BLACK



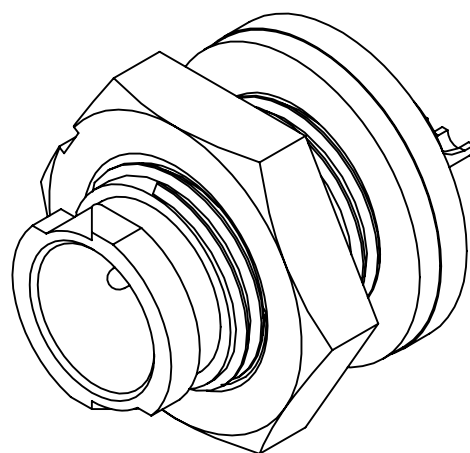
GASKET  
MAT'L: ELASTOMER, BLACK



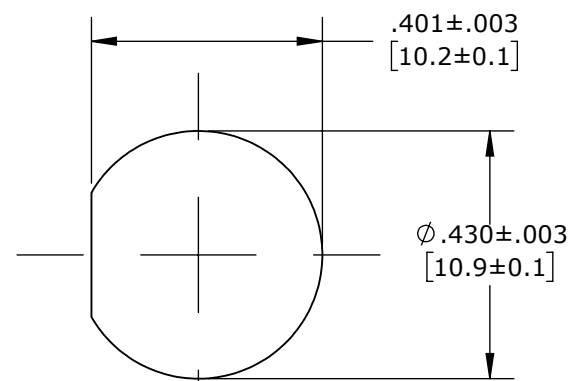
**WIRE VIEW**  
W17282-2PG-P-300



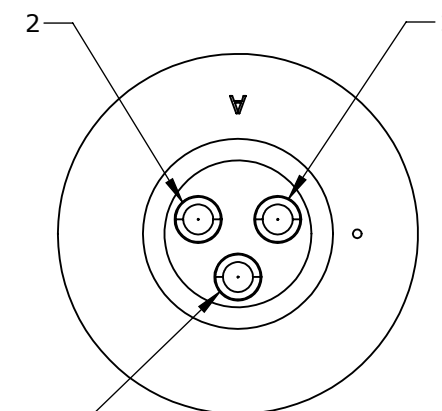
**FACE VIEW**  
W17282-3PG-P-300



**ASSEMBLED VIEW**  
FOR CUSTOMER REF. ONLY



**RECOMMENDED PANEL CUTOUT**



**WIRE VIEW**  
W17282-3PG-P-300

**PRELIMINARY**

DIMENSIONS IS BRACKETS [ ] ARE METRIC

<b>CUSTOMER APPROVAL</b>	
THIS DOCUMENT CONTAINS CONFIDENTIAL INFORMATION PROPRIETARY TO CONXALL CORPORATION. ANY REPRODUCTION, DISCLOSURE, OR USE OF THIS DOCUMENT /INFORMATION IS EXPRESSLY PROHIBITED UNLESS AUTHORIZED IN WRITING BY CONXALL CORPORATION.	
APPROVED BY: _____	
DATE: _____	

**RoHS COMPLIANT**

0A	JGK	8/12/19	DRAWING CREATED FOR PDR #18004.	
REV.	INIT.	DATE	DESCRIPTION	
	JGK	8/12/19	ALL INFORMATION ILLUSTRATED IS THE PROPERTY OF CONXALL CORPORATION. UNAUTHORIZED DUPLICATION OR DISTRIBUTION OF THIS DOCUMENT IS PROHIBITED. ORG. DRAWN BY: DATE: 8/12/19 CHECKED BY:	
ALL UNITS ARE IN FEET, INCHES, FRACTION OF INCHES AND DECIMALS. UNLESS OTHERWISE SPECIFIED TOLERANCES: 3 PLACE DECIMALS ±.005 ANGLES ±1° FRACTIONS ±1/16 ▽ = CRITICAL CHARACTERISTIC FLAG PER SPEC. XXXX			 601 E. WILDWOOD VILLA PARK, IL 60181	
APPROVED BY: _____			TITLE: PANEL MOUNT ASSEMBLY (2-3) #20 PIN CONTACTS, SOLDER TAIL INSTA-CLICK, MICRO-CON-X STANDARD PRODUCT	
SCALE	SIZE	SHEET	CUSTOMER:	
NTS	B	1 OF 1		
FILE:	DIRECTORY:	PART NUMBER:	REV	
W17280-XPG-P-300	SLW	W17282-XPG-P-300	0A	

CUSTOMER PRINT

PART NUMBER: W17282-XPG-P-300