

Features

- Low Quiescent Current: 2 μ A
- Output Current: 300mA
- Low Dropout Voltage: 160mV@100mA
- High Accuracy: $\pm 1\%$ (Typ.)
- High Power Supply Rejection Ratio: 65dB@1kHz
- Low Output Noise: 89.1 μ VRMS (10Hz~100kHz)
- Excellent Line and Load Transient Response
- Built-in Current Limiter, Short-Circuit Protection
- Over-Temperature Protection
- Moisture Sensitivity Level 1
- Epoxy Meets UL 94 V-0 Flammability Rating
- Halogen Free Available Upon Request By Adding Suffix "-HF"
- Lead Free Finish/RoHS Compliant ("P" Suffix designates RoHS Compliant. See ordering information)

Applications

- Cellular Telephones
- Radio Control Systems
- Laptop, Palmtops and PDAs
- Single-lens Reflex DSC
- PC Peripherals with Memory
- Wireless Communication Equipment
- Portable Audio Video Equipment
- Car Navigation Systems
- LAN Cards
- Ultra-Low Power Microcontrollers

Description

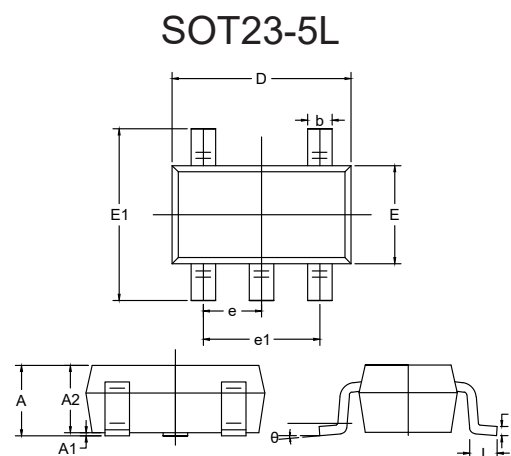
The MC6331 is a positive voltage regulator manufactured by CMOS technologies with low power consumption and low dropout voltage, which provide large output currents even when the difference of the input-output voltage is small. The MC6331 series can deliver 300mA output current and allow an input voltage as high as 18V. The series are very suitable for the battery-powered equipment, such as RF applications and other systems requiring a quiet voltage source.

MCC Part Number	Device Marking
MC6331-2.8	A9tXX ⁽¹⁾
MC6331-3.3	A9yXX ⁽¹⁾
MC6331-5.0	A9pXX ⁽¹⁾

Note:

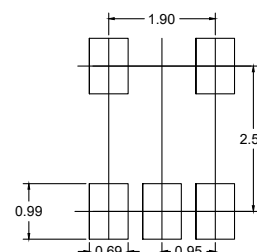
1. "XX" indicate DateCode.

Low Current Consumption 300mA CMOS Voltage Regulator

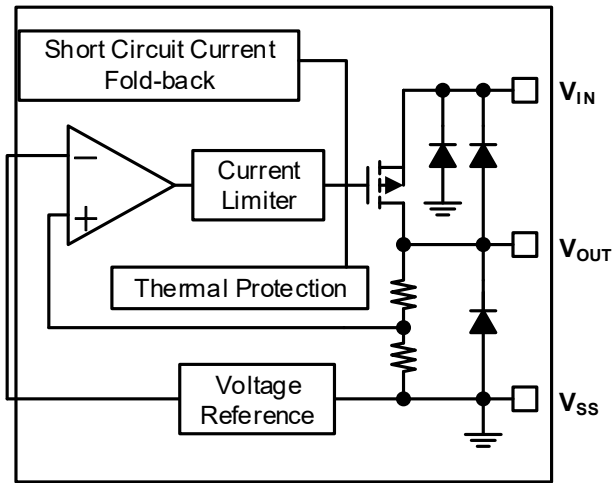


DIM	INCHES		MM		NOTE
	MIN	MAX	MIN	MAX	
A	0.041	0.049	1.05	1.25	
A1	0.000	0.004	0.00	0.10	
A2	0.041	0.045	1.05	1.15	
b	0.012	0.020	0.30	0.50	
c	0.004	0.008	0.10	0.20	
D	0.111	0.119	2.82	3.02	
E	0.059	0.067	1.50	1.70	
E1	0.104	0.116	2.65	2.95	
e	0.037(BSC)		0.950(BSC)		
e1	0.071	0.079	1.80	2.00	
L	0.012	0.024	0.30	0.60	
θ	0°	8°	0°	8°	

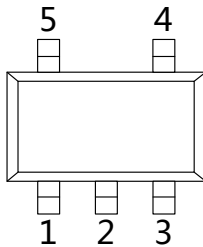
Suggested Solder Pad Layout



Functional Block Diagram

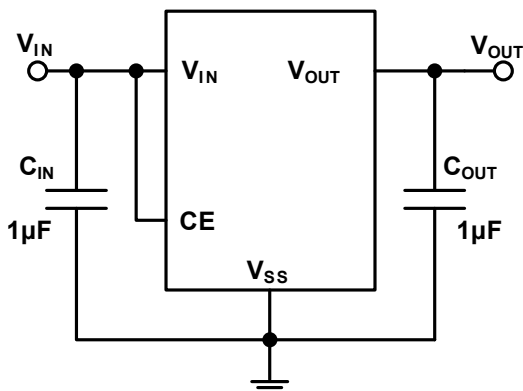


Pin Configuration and Functions (Top View)



Number	Name	Function
1	V_{IN}	Power Input Pin
2	V_{SS}	Ground
3	CE	Chip Enable Pin
4	NC	No Connection
5	V_{OUT}	Output Pin

Typical Application Circuit



Absolute Maximum Ratings($T_A=25^\circ\text{C}$ unless otherwise noted)⁽²⁾

- Operating Junction Temperature Range: $-40\sim+125^\circ\text{C}$ ⁽³⁾
- Storage Temperature Range: $-40\sim+125^\circ\text{C}$
- Thermal Resistance: 250°C/W Junction to Ambient

Parameter	Symbol	Ratings	Units
Input Voltage ⁽⁴⁾	V_{IN}	-0.3~24	V
Output Voltage ⁽⁴⁾	V_{OUT}	-0.3~10	V
CE Pin Voltage	V_{CE}	-0.3~24	V
Output Current	I_{OUT}	300	mA
Power Dissipation	P_D	0.4	W
ESD Rating ⁽⁵⁾	HBM	8	KV
	MM	400	V

Note:

2. Stresses beyond those listed under absolute maximum ratings may cause permanent damage to the device. These are stress ratings only, and functional operation of the device at these or any other conditions beyond those indicated under recommended operating conditions is not implied. Exposure to absolute-maximum-rated conditions for extended periods may affect device reliability.

3. This MC6331-3.3 includes over temperature protection that is intended to protect the device during momentary overload. Junction temperature will exceed 125°C when over temperature protection is active. Continuous operation above the specified maximum operating junction temperature may impair device reliability.

4. All voltages are with respect to network ground terminal.

5. ESD testing is performed according to the respective JESD22 JEDEC standard. The human body model is a 100pF capacitor discharged through a $1.5\text{k}\Omega$ resistor into each pin. The machine model is a 200pF capacitor discharged directly into each pin.

Electrical Characteristics

($V_{IN}=V_{OUT}+1V$, $C_{IN}=C_{OUT}=1\mu F$, $T_A=25^\circ C$, unless otherwise specified)

Parameter	Symbol	Conditions	Min.	Typ.	Max.	Units
Input Voltage	V_{IN}		4.3		18	V
Output Voltage Range	V_{OUT}		2.8		5	V
DC Output Accuracy		$I_{OUT}=1mA$	-1		1	%
Dropout Voltage ⁽⁶⁾	V_{dif}	$I_{OUT}=100mA, V_{OUT}=3.3V$		160		mV
Supply Current	I_{SS}	$I_{OUT}=0A$		2	5	μA
Line Regulation	$\frac{\Delta V_{OUT}}{V_{OUT} \times \Delta V_{IN}}$	$I_{OUT}=10mA$ $V_{OUT}+1V \leq V_{IN} \leq 18V$		0.01	0.3	%/V
Load Regulation	ΔV_{OUT}	$V_{IN}=V_{OUT}+1V$, $1mA \leq I_{OUT} \leq 100mA$		10		mV
Temperature Coefficient	$\frac{\Delta V_{OUT}}{V_{OUT} \times \Delta T_A}$	$I_{OUT}=10mA$, $-40^\circ C < T_A < 125^\circ C$		50		ppm
Output Current Limit	I_{LIM}	$V_{OUT}=0.5 \times V_{OUT(Normal)}$, $V_{IN}=7V$	350	500		mA
Short Current	I_{SHORT}	$V_{OUT}=V_{SS}$		25		mA
Power Supply Rejection Ratio	PSRR	$I_{OUT}=50mA$	100Hz		80	dB
			1kHz		65	
			10kHz		50	
			100kHz		45	
Output Noise Voltage	V_{ON}	BW=10Hz to 100kHz		89.1		μV_{RMS}
Thermal Shutdown Temperature	T_{SD}			150		$^\circ C$
Thermal Shutdown Hysteresis	ΔT_{SD}			20		$^\circ C$
CE "High" Voltage	$V_{CE"H"}$		1.5		V_{IN}	V
CE "Low" Voltage	$V_{CE"L"}$				0.3	V
CE "High" Current	$I_{CE"H"}$	$V_{CE}="High"$			0.2	μA

Note:

6. V_{dif} : The difference of output voltage and input voltage when input voltage is decreased gradually till output voltage equals to 98% of $V_{OUT(E)}$.

Curve Characteristics

Fig.1 - Output Voltage vs Temperature

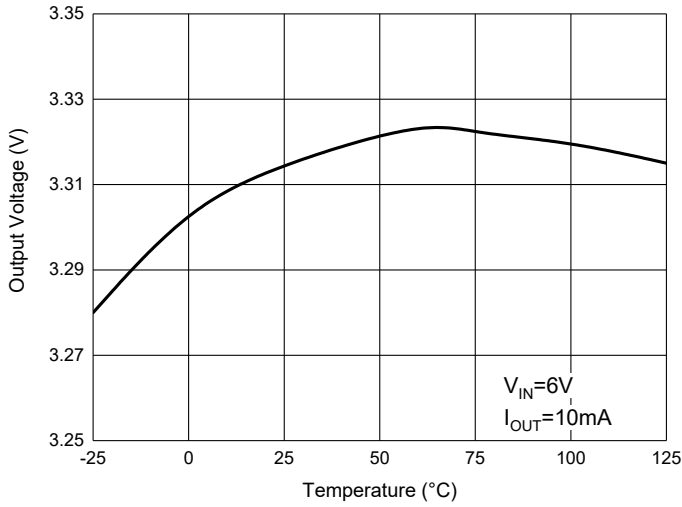


Fig.2 - Output Voltage vs Output Current

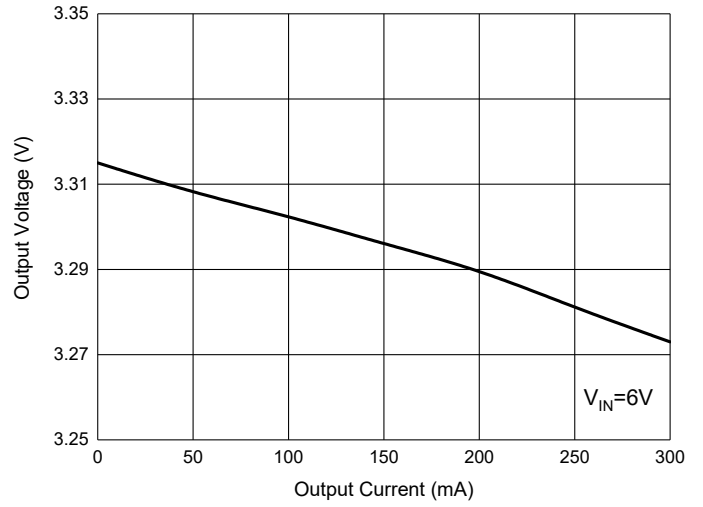


Fig.3 - Output Voltage vs Input Voltage

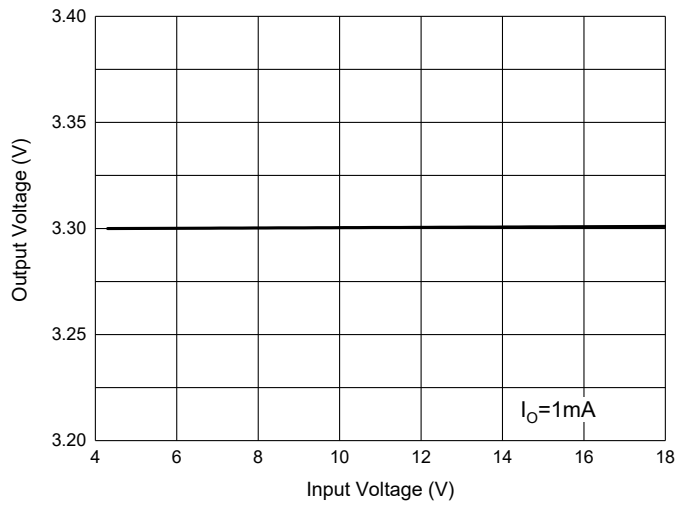


Fig.4 - Ground Current vs Load Current

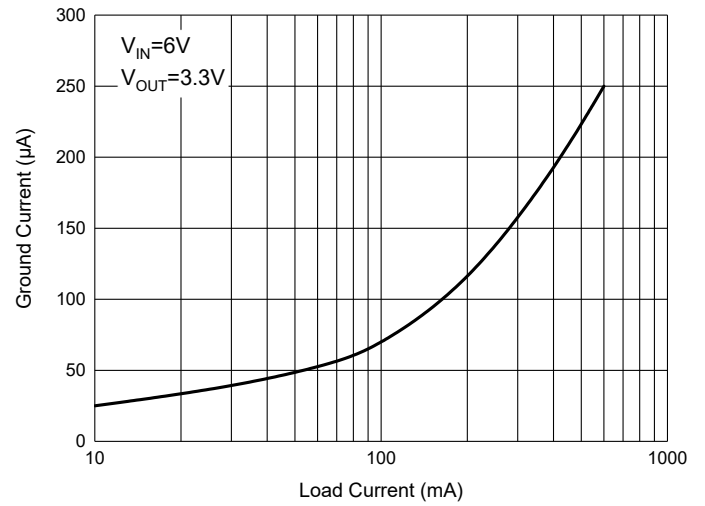


Fig.5 - Dropout Voltage vs Load Current

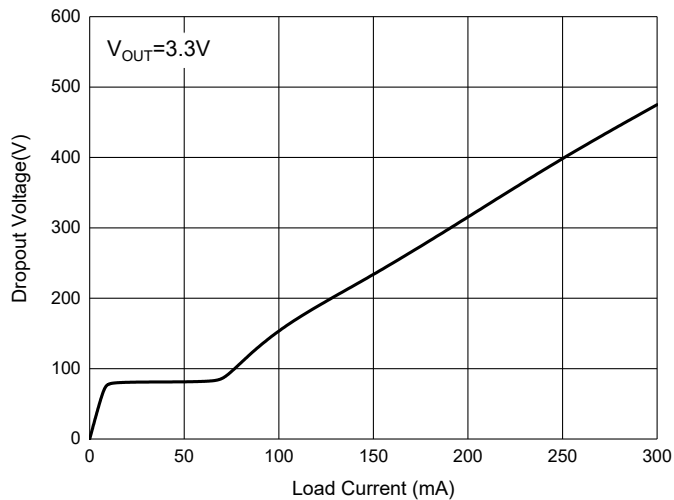
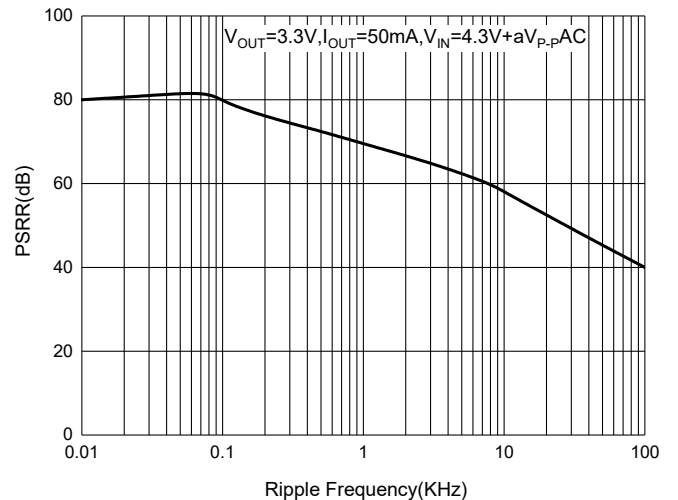


Fig. 6 - PSRR vs. Frequency



Ordering Information

Device	Packing
Part Number-TP	Tape&Reel: 3Kpcs/Reel

Note : Adding "-HF" Suffix for Halogen Free, eg. Part Number-TP-HF

IMPORTANT NOTICE

Micro Commercial Components Corp. reserves the right to make changes without further notice to any product herein to make corrections, modifications , enhancements , improvements , or other changes . **Micro Commercial Components Corp** . does not assume any liability arising out of the application or use of any product described herein; neither does it convey any license under its patent rights ,nor the rights of others . The user of products in such applications shall assume all risks of such use and will agree to hold **Micro Commercial Components Corp** . and all the companies whose products are represented on our website, harmless against all damages. **Micro Commercial Components Corp.** products are sold subject to the general terms and conditions of commercial sale, as published at <https://www.mccsemi.com/Home/TermsAndConditions>.

LIFE SUPPORT

MCC's products are not authorized for use as critical components in life support devices or systems without the express written approval of Micro Commercial Components Corporation.

CUSTOMER AWARENESS

Counterfeiting of semiconductor parts is a growing problem in the industry. Micro Commercial Components (MCC) is taking strong measures to protect ourselves and our customers from the proliferation of counterfeit parts. MCC strongly encourages customers to purchase MCC parts either directly from MCC or from Authorized MCC Distributors who are listed by country on our web page cited below. Products customers buy either from MCC directly or from Authorized MCC Distributors are genuine parts, have full traceability, meet MCC's quality standards for handling and storage. **MCC will not provide any warranty coverage or other assistance for parts bought from Unauthorized Sources.** MCC is committed to combat this global problem and encourage our customers to do their part in stopping this practice by buying direct or from authorized distributors.